

Dia110 Canopy(Matt Black)

H1500 Steel Wire

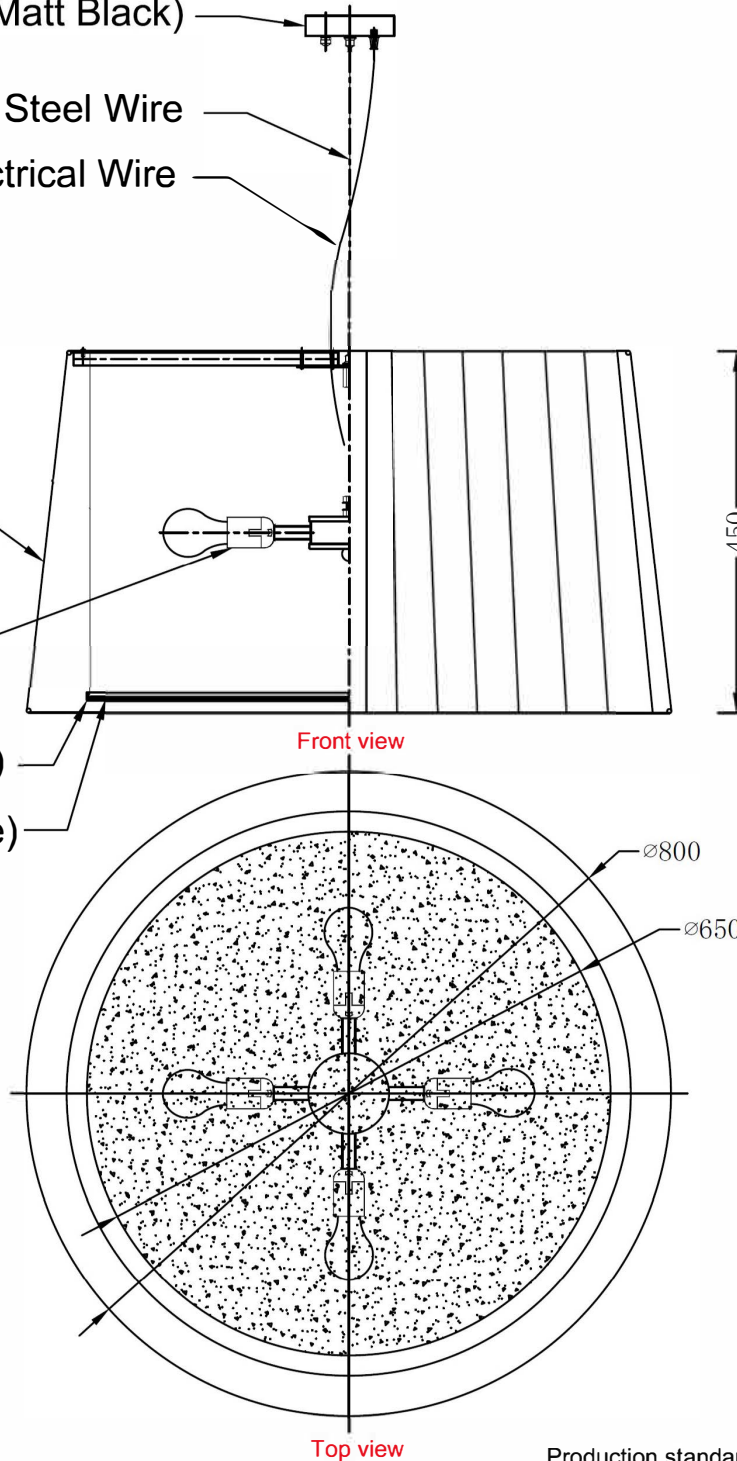
Black Electrical Wire

Fabric Shade (Black)

4PCS\*E27 Bulb  
(Not Included)

Steel Part(Matt Black)

Acrylic Diffusor(Milky White)



Reference photo

Production standard: GB7000.10-2002, GB700.11-2002, GB7000.1-2002

**lumeplus**

Saving Energy Technical Services LLC  
Tel: +971 43511239  
Fax: +971 43511230  
Email: admin@savingenergytech.com  
Website: www.savingenergytech.com

Version	Revision date
1	---
2	
3	
4	

Project Name:  
Dubai UAE Project

Installation Area:  
Office indoor

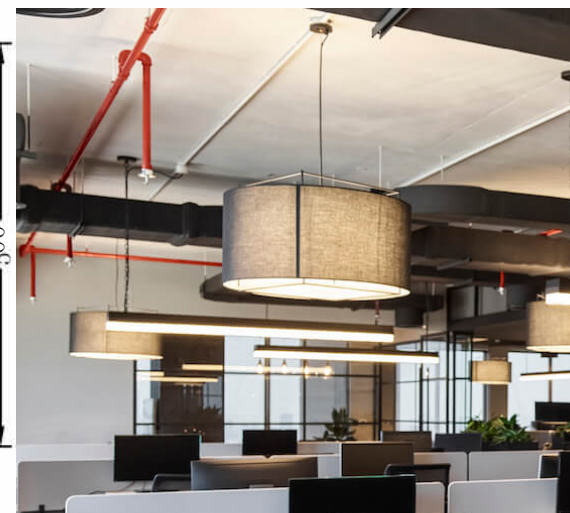
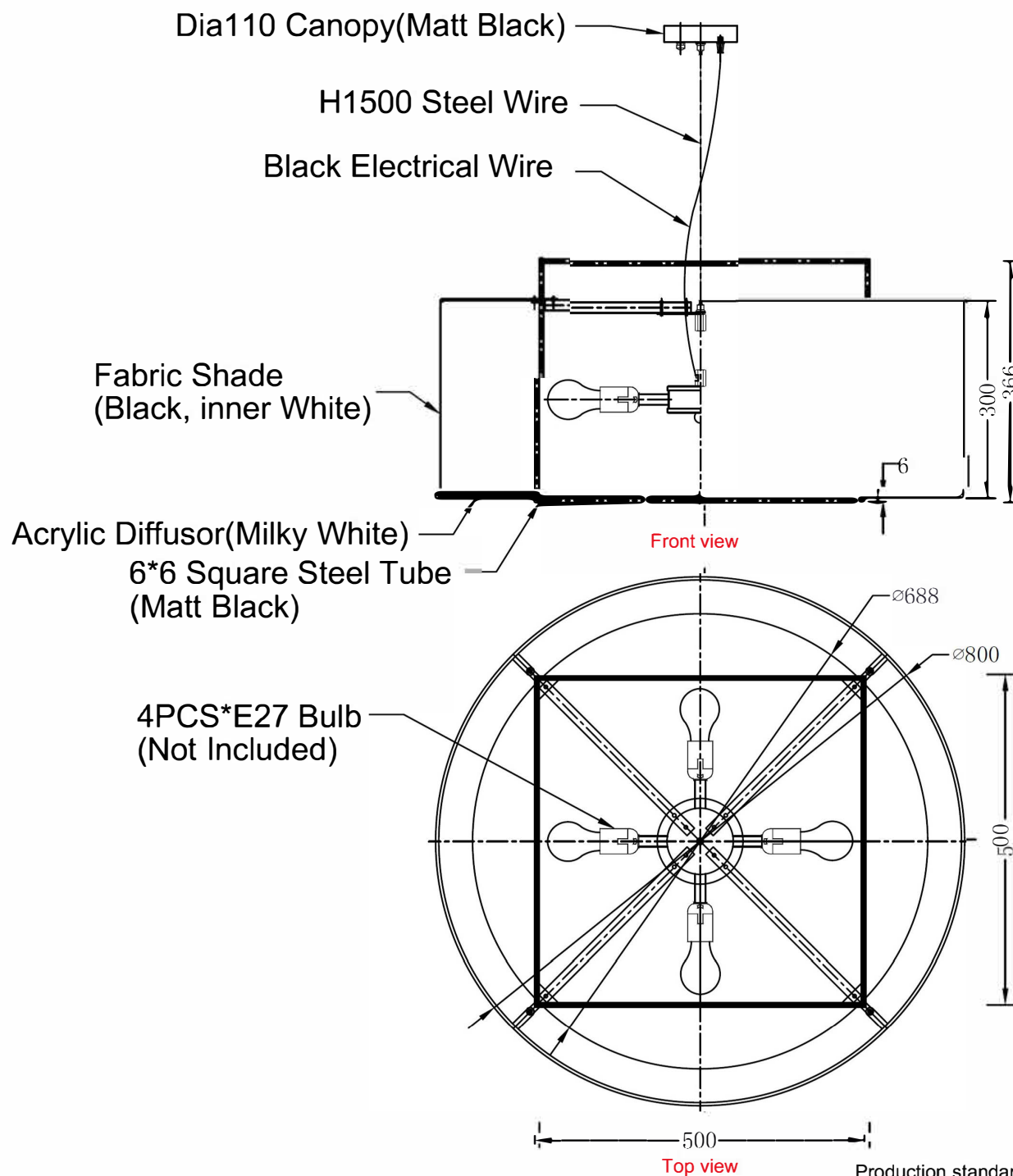
Customer confirmation:

Model No.:	GLP8045MB
Fixture Type:	Pendant Light
Dimension:	Dia800*H450 mm
Finishing:	
Weight:	
Quantity:	1 pcs
Light Source:	E27 Bulb
Standard:	CE

Drawn by:	
Checked by:	
Proportion:	
Date:	Apr 29, 2018

Length Unit:  
MM





Reference photo

Production standard: GB7000.10-2002, GB700.11-2002, GB7000.1-2002

Version	Revision date
1	---
2	
3	
4	

Project Name:  
Dubai UAE Project

Installation Area:  
Office indoor

Customer confirmation:

Model No.:	DL-07
Fixture Type:	Pendant Light
Dimension:	Dia800*H366 mm
Finishing:	
Weight:	
Quantity:	9 pcs
Light Source:	E27 Bulb
Standard:	CE

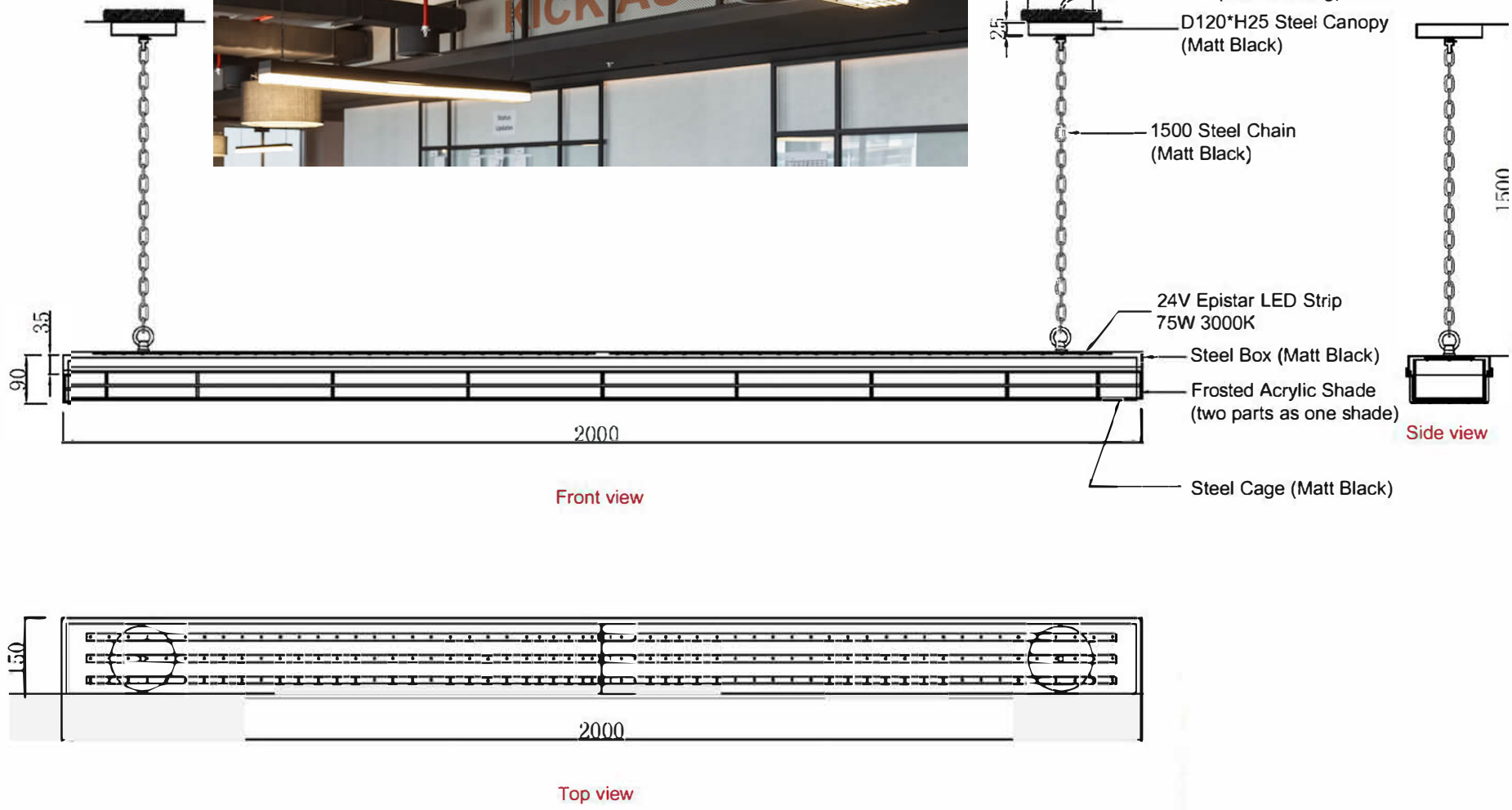
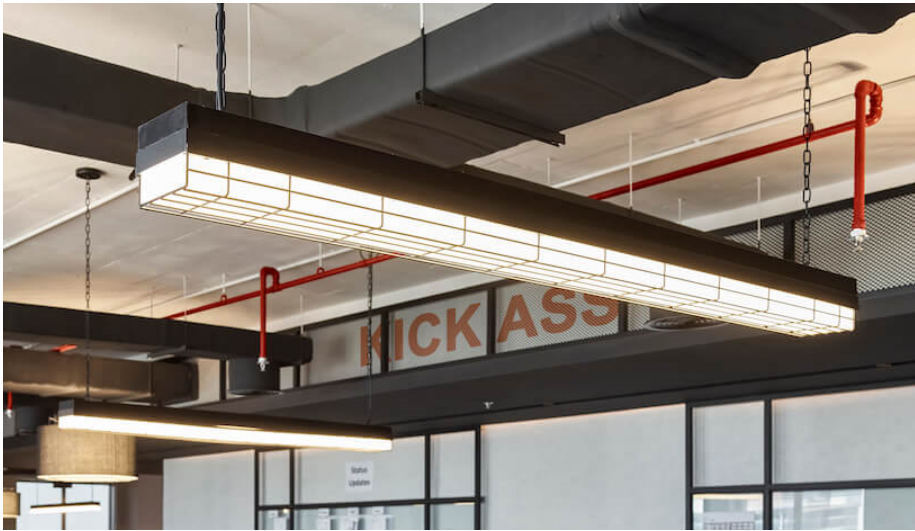
Drawn by:

Checked by:

Proportion:

Date: Apr 29, 2018

Length Unit:  
MM



Reference photo

Version	Revision date
1	
2	
3	
4	

Project Name:  
 Dubai UAE Project

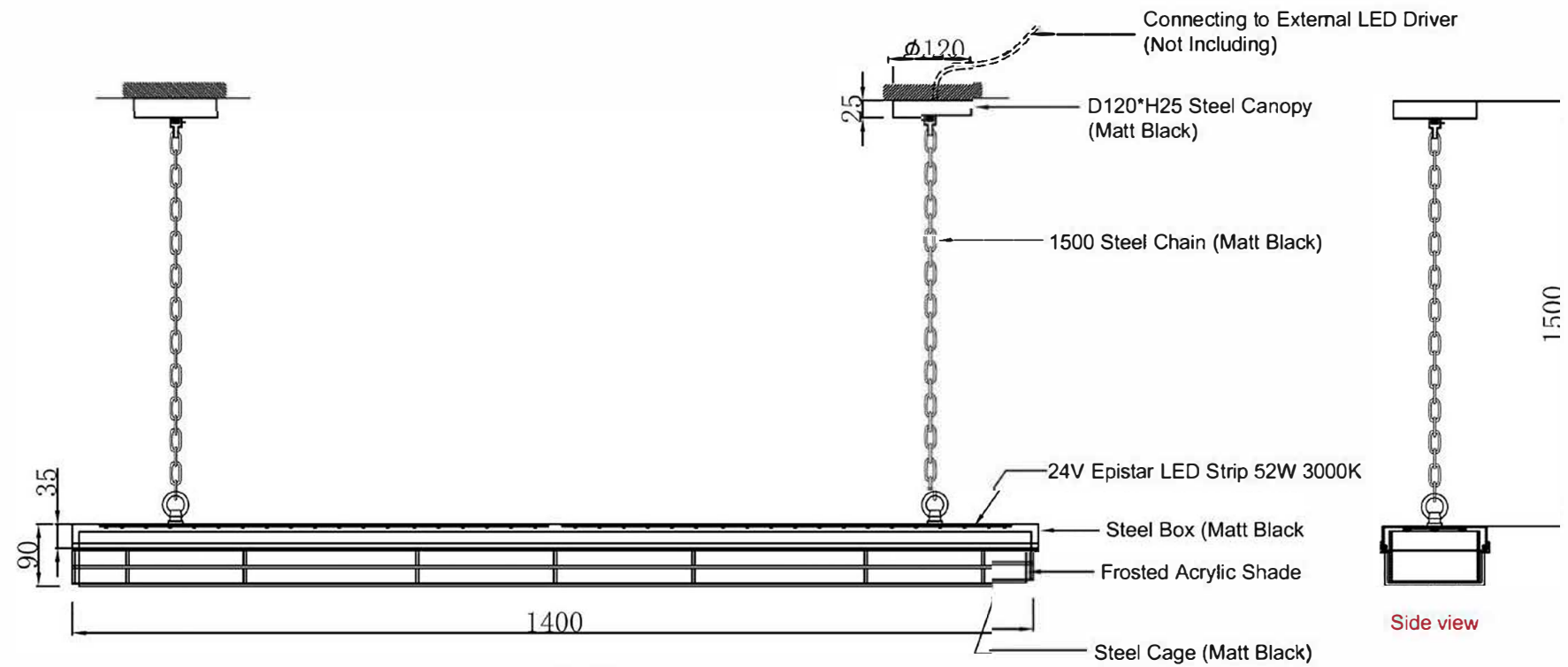
Installation Area:  
 Office indoor

Customer confirmation:

Model No.:	LP-01
Fixture Type:	Pendant Light
Dimension:	L2000 mm
Finishing:	
Weight:	
Quantity:	9 pcs
Light Source:	24V LED Strip
Standard:	CE

Drawn by:	
Checked by:	
Proportion:	
Date:	Apr 23, 2018

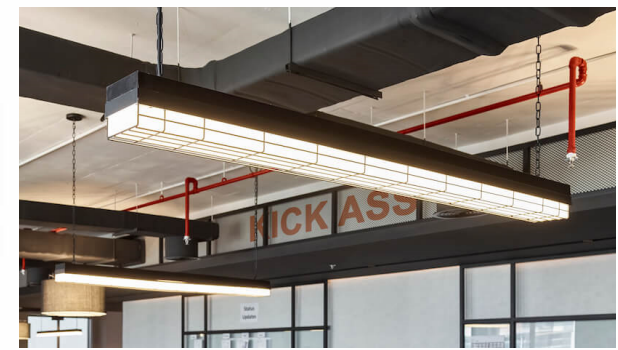
Length Unit: MM	
--------------------	--



Front view

Side view

Top view



Reference photo

Version	Revision date
1	---
2	
3	
4	

Project Name:  
Dubai UAE Project

Installation Area:  
Office indoor

Customer confirmation:

Model No.:	LP-1.1
Fixture Type:	Pendant Light
Dimension:	L1400 mm
Finishing:	
Weight:	
Quantity:	4 pcs
Light Source:	24V LED Strip
Standard:	CE

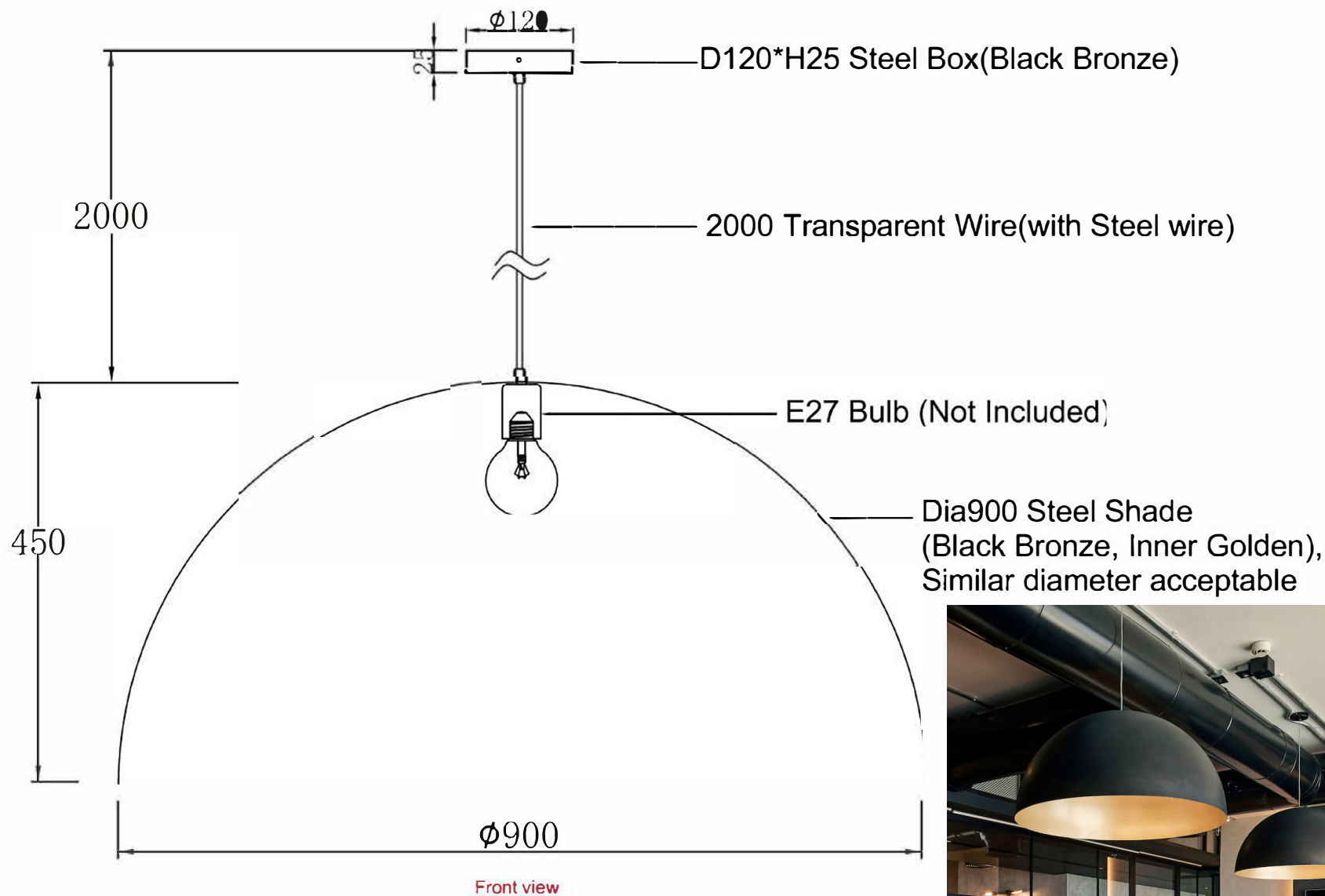
Drawn by:

Checked by:

Proportion:

Date: Apr 23, 2018

Length Unit: MM	
--------------------	--



Reference photo

Version	Revision date
1	---
2	
3	
4	

Project Name:  
Dubai UAE Project

Installation Area:  
Office indoor

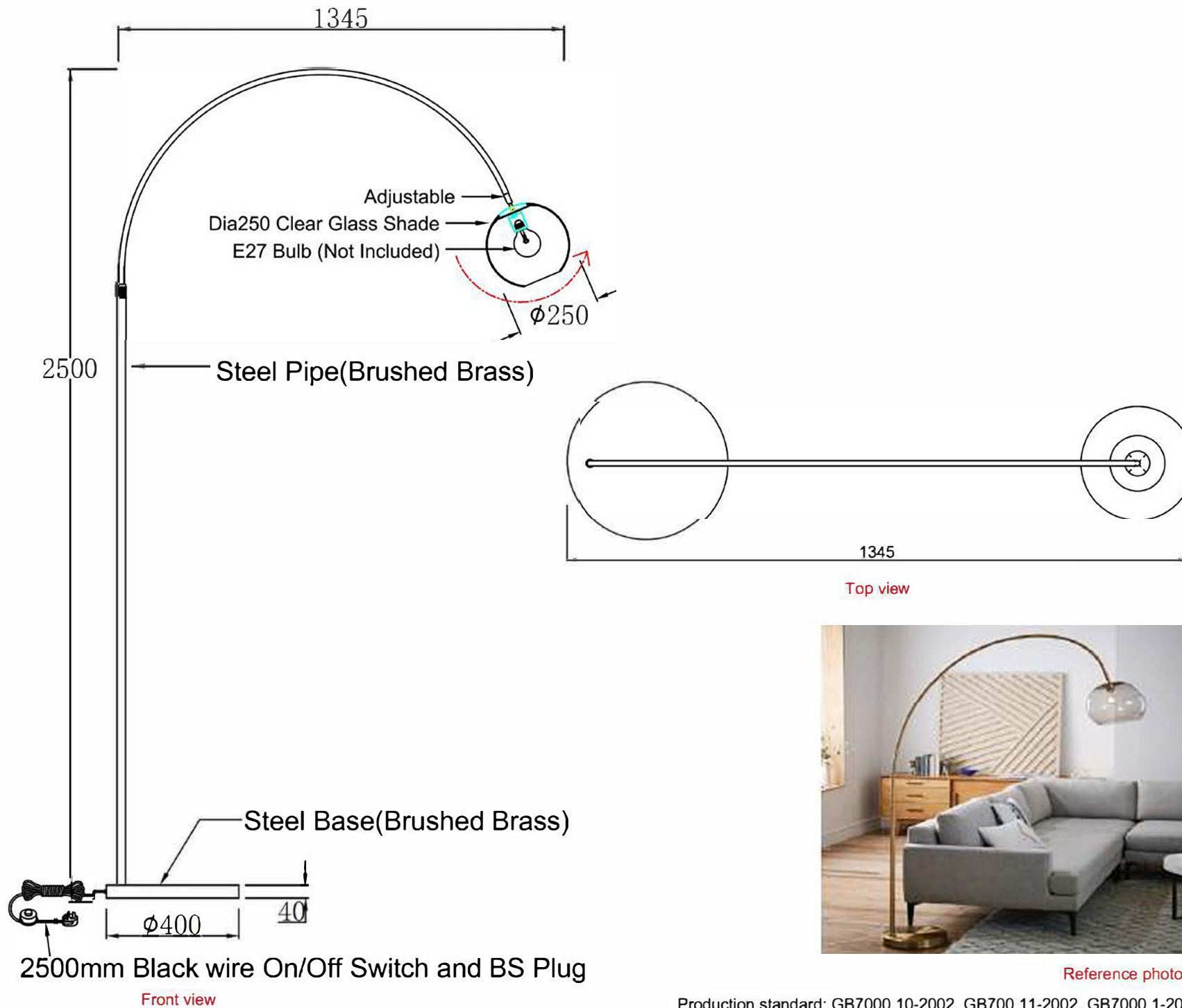
Customer confirmation:

Model No.:	LP-03
Fixture Type:	Pendant Light
Dimension:	D900mm
Finishing:	
Weight:	
Quantity:	2 pcs
Light Source:	E27 Bulb
Standard:	CE

Drawn by:	
Checked by:	
Proportion:	
Date:	Apr 23, 2018

Length Unit:  
MM





Reference photo

Version	Revision date
1	---
2	
3	
4	

Project Name:  
Dubai UAE Project

Installation Area:  
Office indoor

Customer confirmation:

Model No.:	LP-02
Fixture Type:	Floor Light
Dimension:	Dia250*H2300mm
Finishing:	
Weight:	
Quantity:	1 pcs
Light Source:	E27 Bulb
Standard:	CE

Drawn by:	
Checked by:	
Proportion:	
Date:	Apr 23, 2018

Length Unit:	MM
--------------	----

Version	Revision date
1	---
2	
3	
4	

Project Name:  
Dubai UAE Project

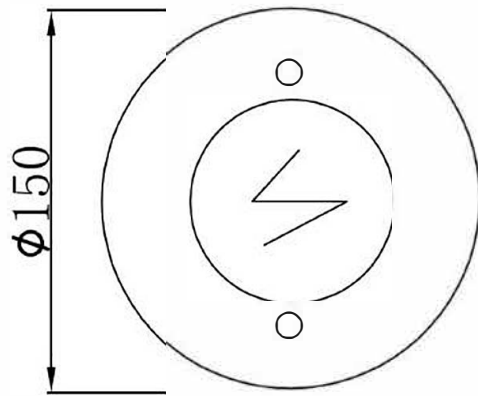
Installation Area:  
Office indoor

Customer confirmation:

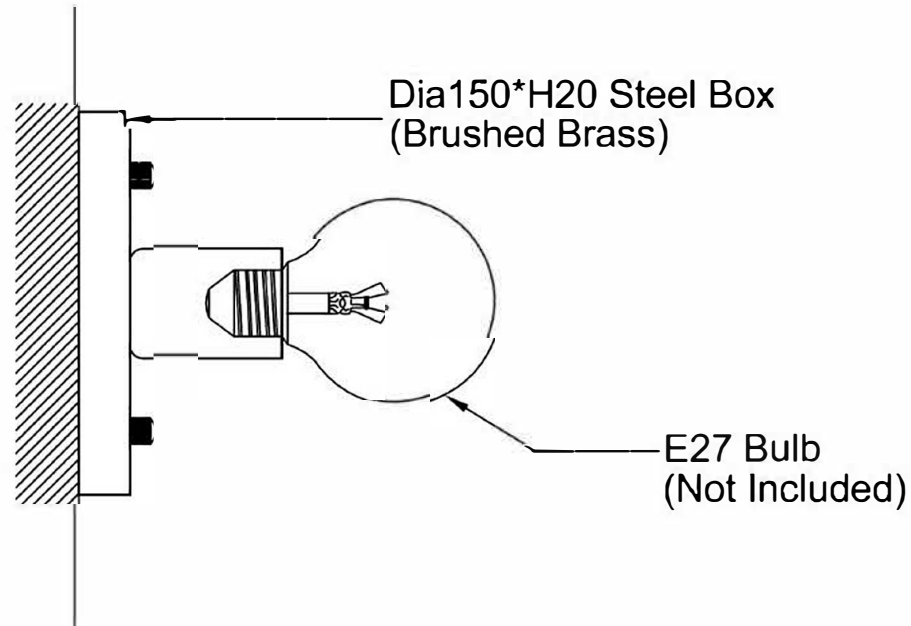
Model No.:	LP -04
Fixture Type:	Wall Light
Dimension:	Dia150 mm
Finishing:	
Weight:	
Quantity:	2 pcs
Light Source:	E27 Bulb
Standard:	CE

Drawn by:  
 Checked by:  
 Proportion:  
 Date: Apr 23, 2018

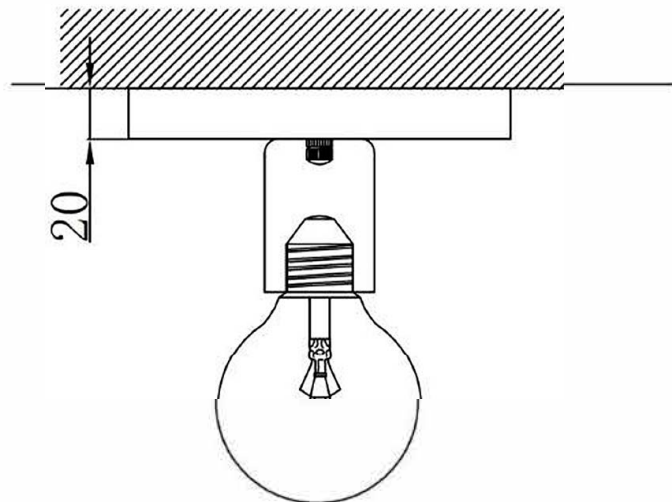
Length Unit:  
MM



Front view



Side view



Top view



Reference photo

Version	Revision date
1	-----
2	-----
3	-----
4	-----

Project Name:  
Dubai UAE Project

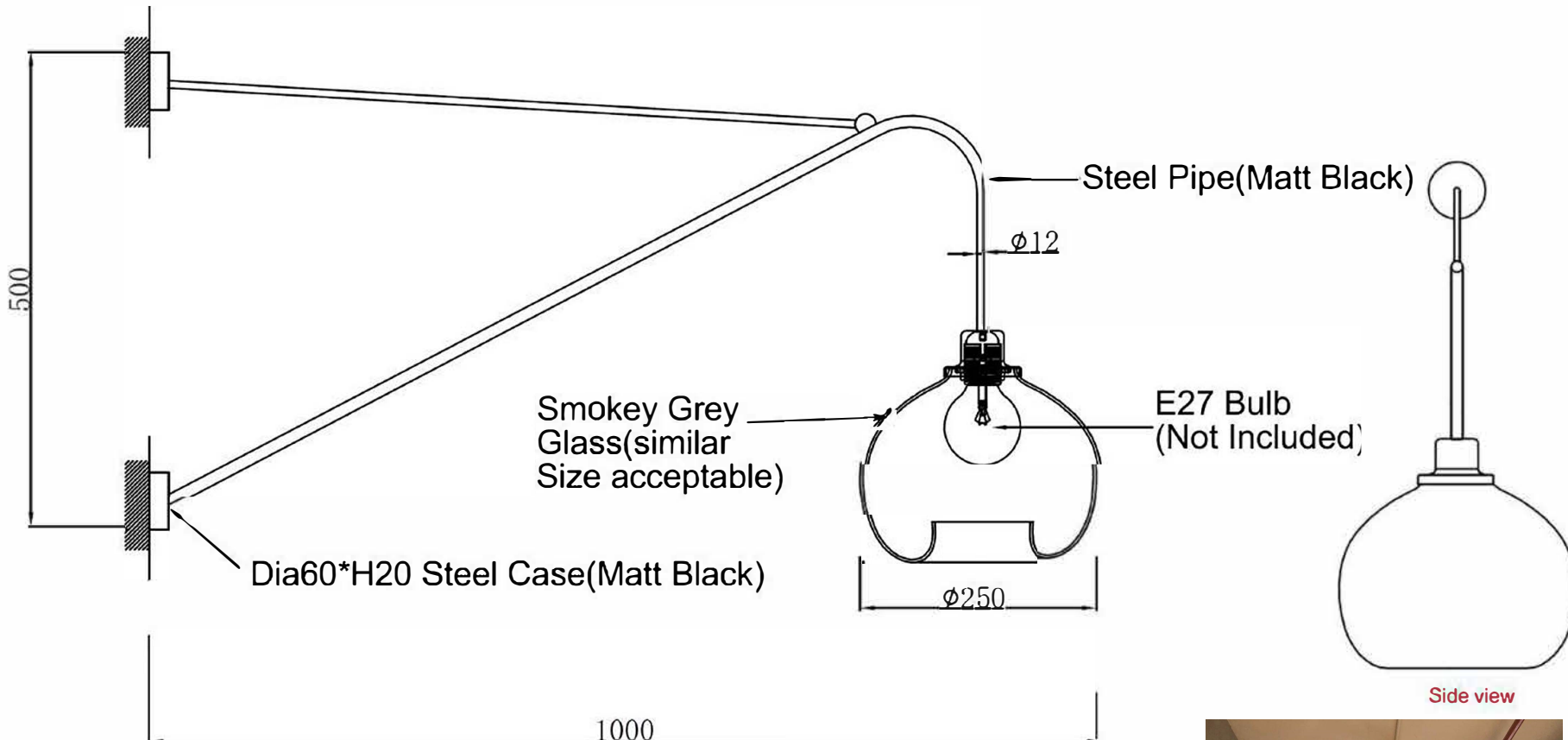
Installation Area:  
Office indoor

Customer confirmation:

Model No.:	LP -06
Fixture Type:	Wall Light
Dimension:	Dia 250*W1000mm
Finishing:	
Weight:	
Quantity:	1 pcs
Light Source:	E27 Bulb
Standard:	CE

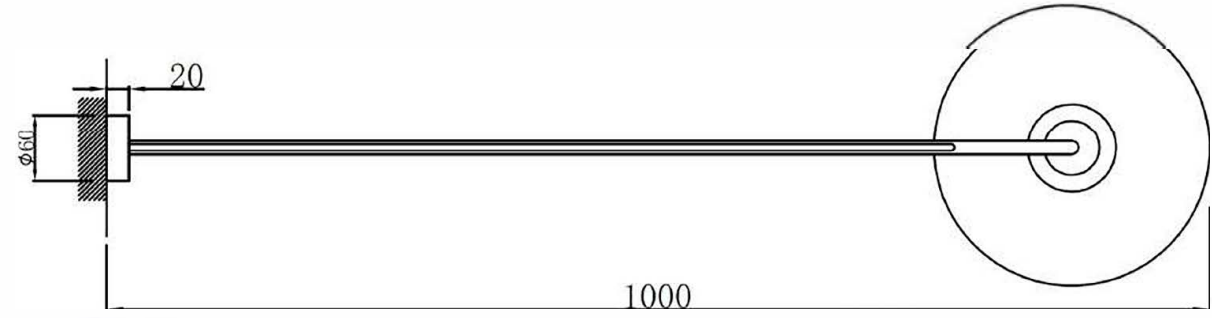
Drawn by:	
Checked by:	
Proportion:	
Date:	Apr 23, 2018

Length Unit:	MM
--------------	----



Front view

Side view

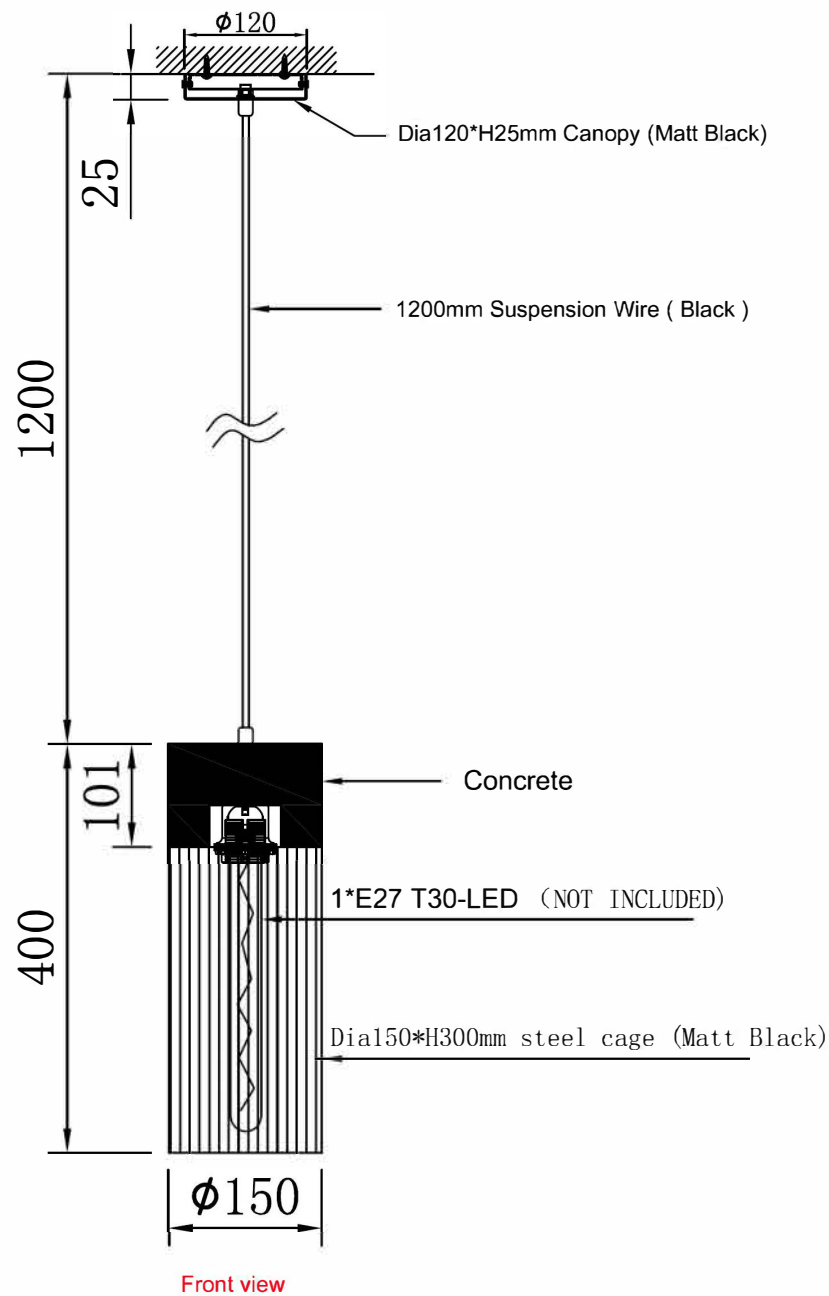


Top view



Reference photo





Front view



Reference photo

**lumeplus**

Saving Energy Technical Services LLC  
 Tel: +971 43511239  
 Fax: +971 43511230  
 Email: admin@savingenergytech.com  
 Website: www.savingenergytech.com

Version	Revision date
1	---
2	
3	
4	

Project Name:  
Dubai UAE Project

Installation Area:  
Office indoor

Customer confirmation:

Model No.:	LP1540CM
Fixture Type:	Pendant Light
Dimension:	D150*H400mm
Finishing:	
Weight:	
Quantity:	3 pcs
Light Source:	E27 Bulb
Standard:	CE

Drawn by:

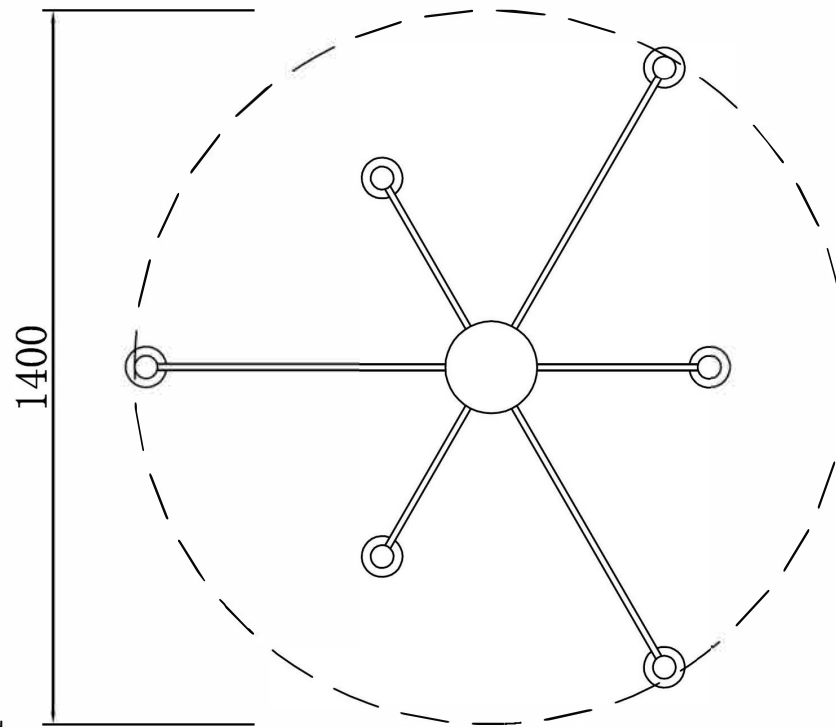
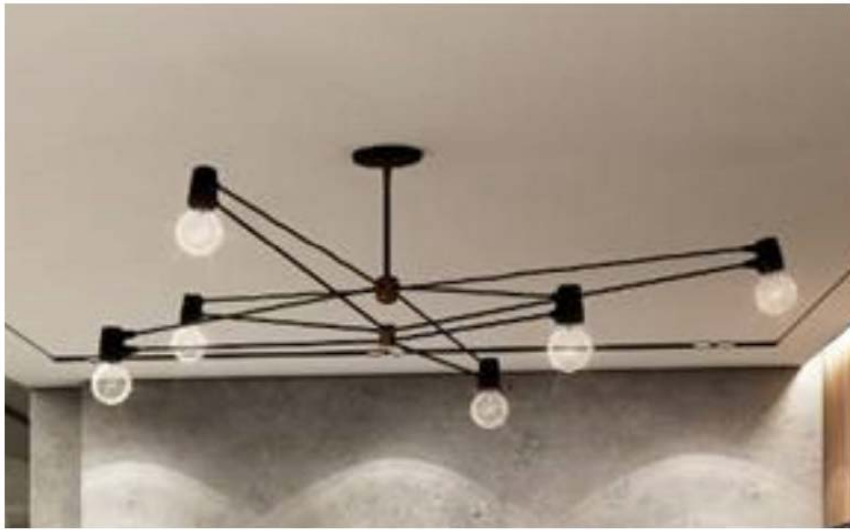
Checked by:

Proportion:

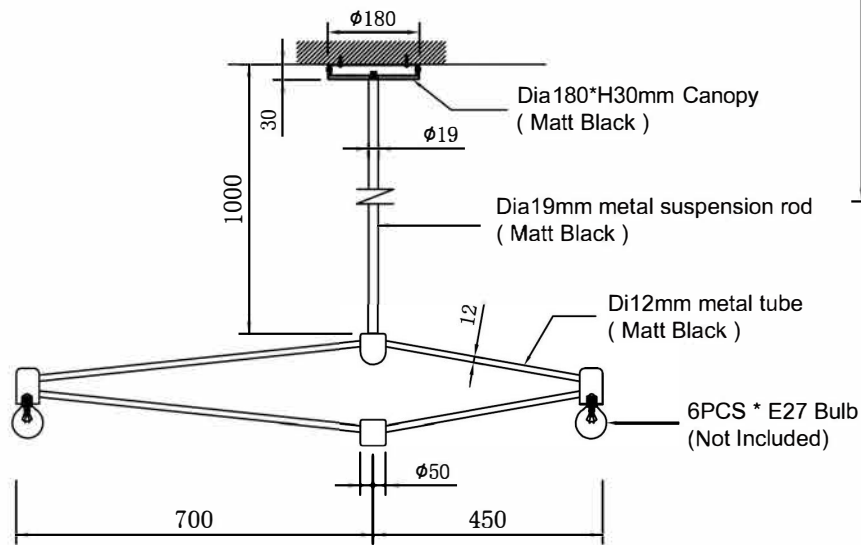
Date: Mar 12, 2018

Length Unit:  
MM





Top view



Front view



Reference photo

lumepus

Saving Energy Technical Services Ilc  
 Tel: +971 43511239  
 Fax: +971 43511230  
 Email: admin@savingenergytech.com  
 Website: www.savingenergytech.com

Version	Revision date
1	---
2	
3	
4	

Project Name:  
 Dubai UAE Project

Installation Area:  
 Office indoor

Customer confirmation:

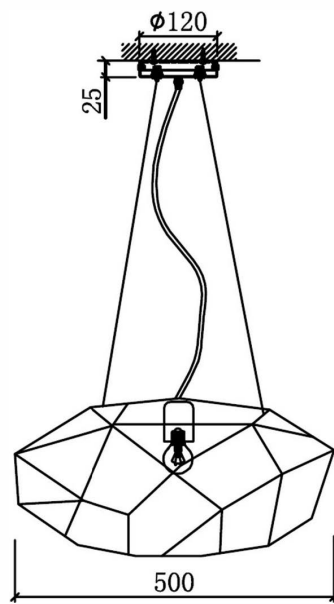
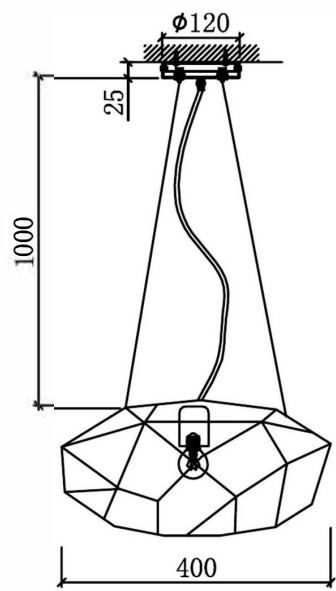
Model No.:	LP1400MB6
Fixture Type:	Pendant Light
Dimension:	D1400mm
Finishing:	
Weight:	
Quantity:	1 pcs
Light Source:	E27 Bulb
Standard:	CE

Drawn by:	
Checked by:	
Proportion:	
Date:	Mar 12, 2018

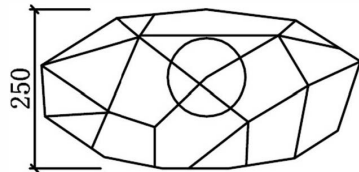
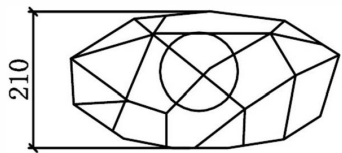
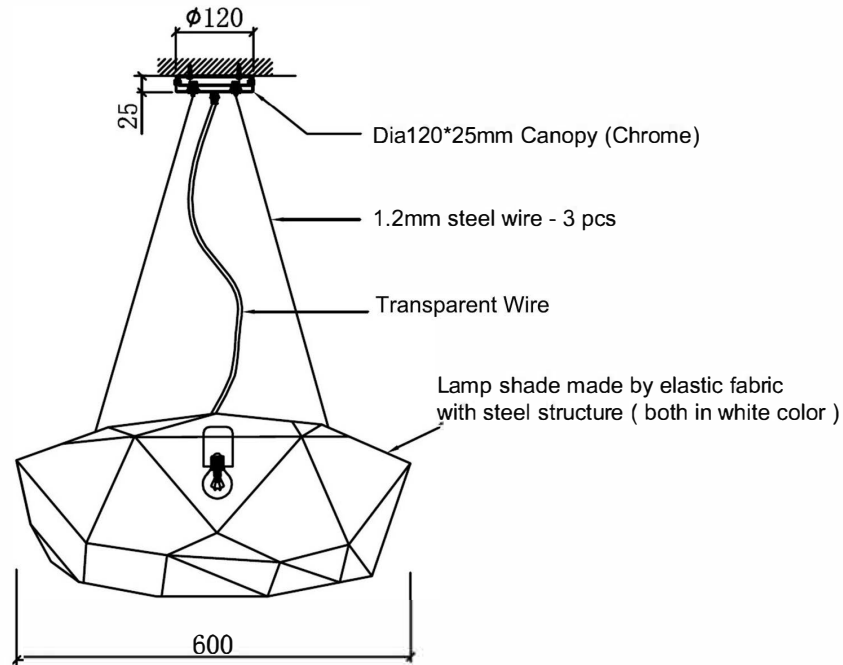
Length Unit:  
 MM



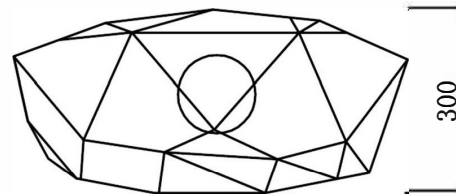
Production standard: GB7000.10-2002, GB700.11-2002, GB7000.1-2002



Front view



Top view



Reference photo

Version	Revision date
1	---
2	
3	
4	

Project Name:  
Dubai UAE Project

Installation Area:  
Office indoor

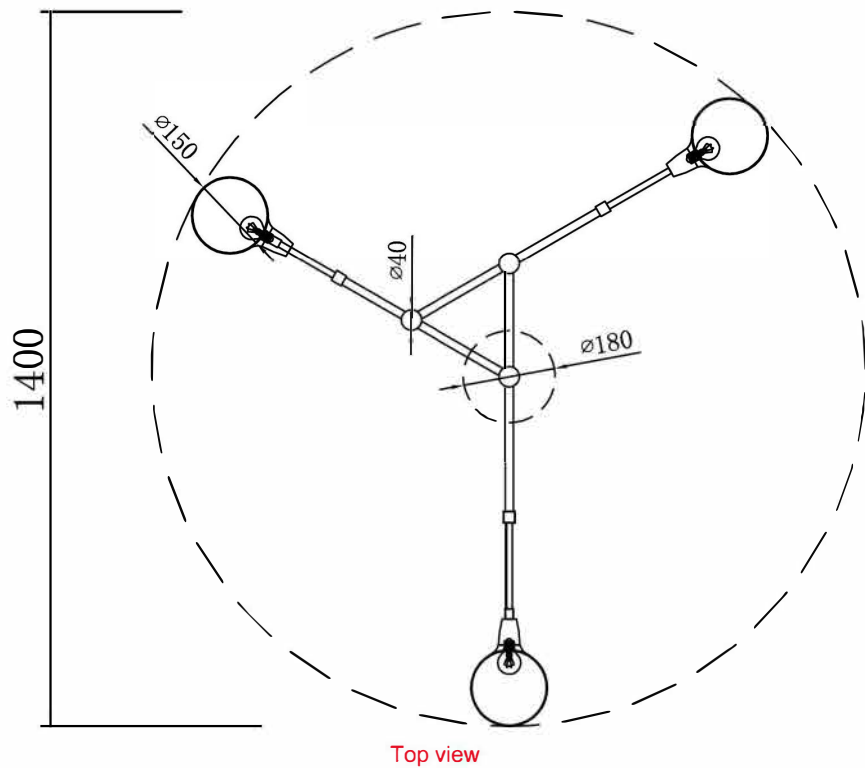
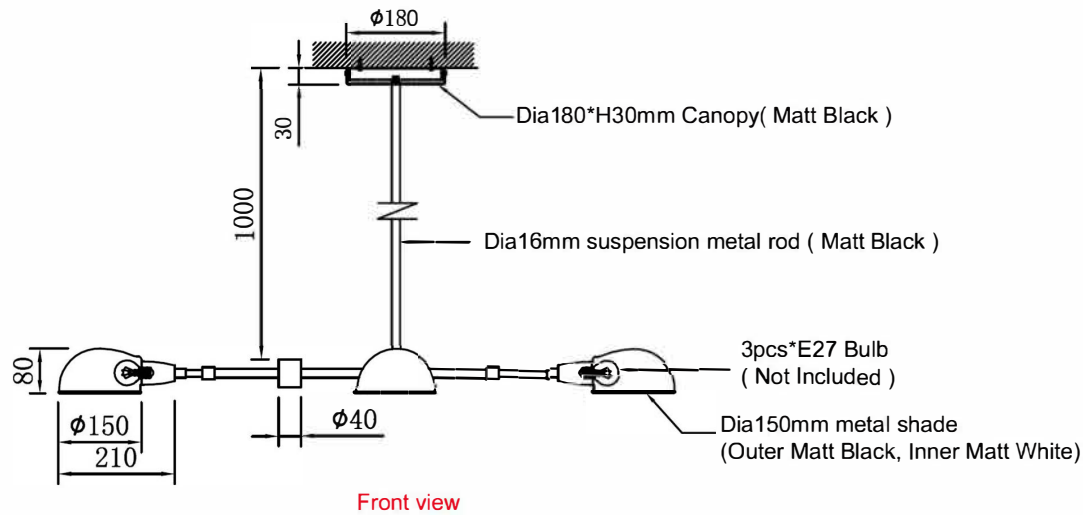
Customer confirmation:

Model No.:	LP405060FW
Fixture Type:	Pendant Light
Dimension:	D400,D500,D600
Finishing:	
Weight:	
Quantity:	1 set
Light Source:	E27 Bulb
Standard:	CE

Drawn by:	
Checked by:	
Proportion:	
Date:	Mar 12, 2018

Length Unit:  
MM





Reference photo

Version	Revision date
1	---
2	
3	
4	

Project Name:  
Dubai UAE Project

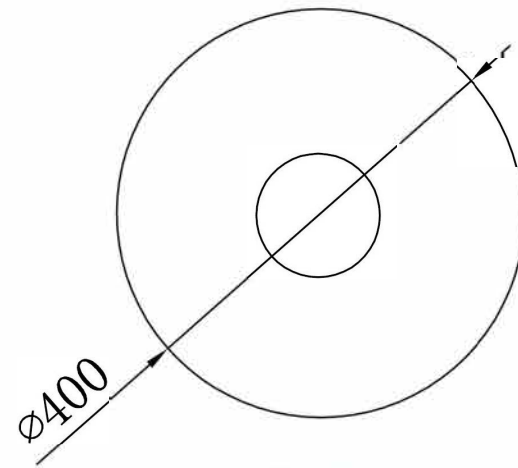
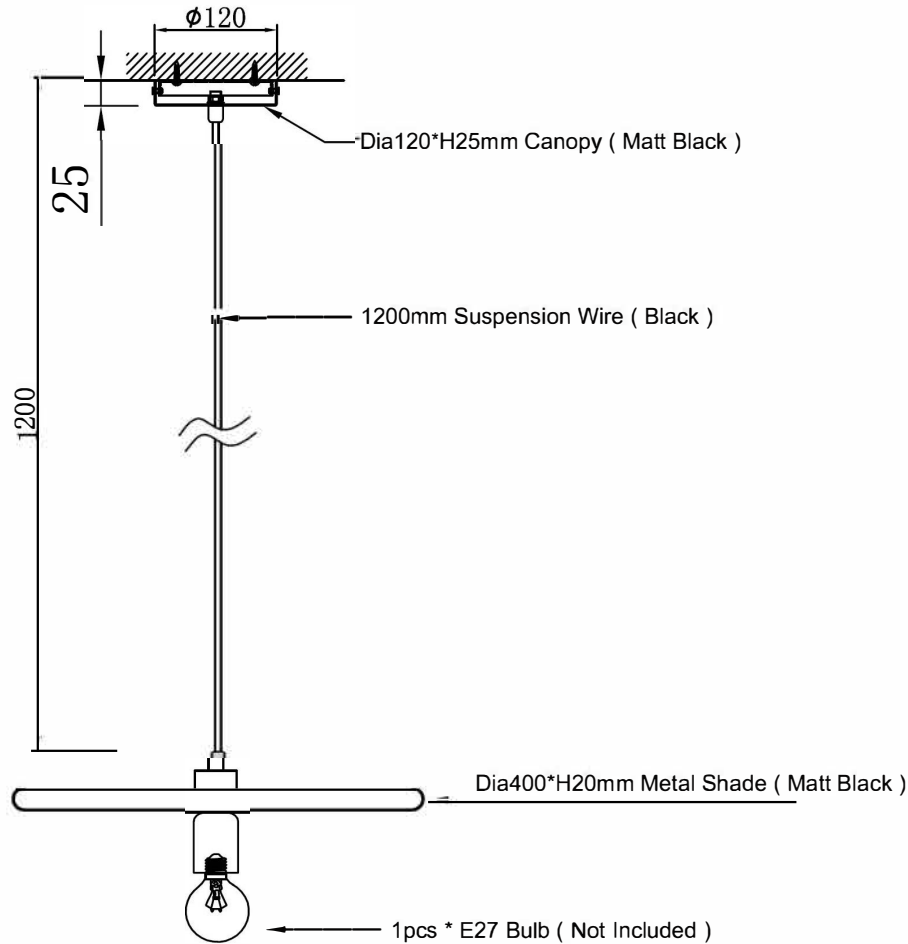
Installation Area:  
Office indoor

Customer confirmation:

Model No.:	LP1400MB3
Fixture Type:	Pendant Light
Dimension:	D1400mm
Finishing:	
Weight:	
Quantity:	1 set
Light Source:	E27 Bulb
Standard:	CE

Drawn by:	
Checked by:	
Proportion:	
Date:	Mar 12, 2018

Length Unit: MM	
--------------------	--



Version	Revision date
1	---
2	
3	
4	

Project Name:  
Dubai UAE Project

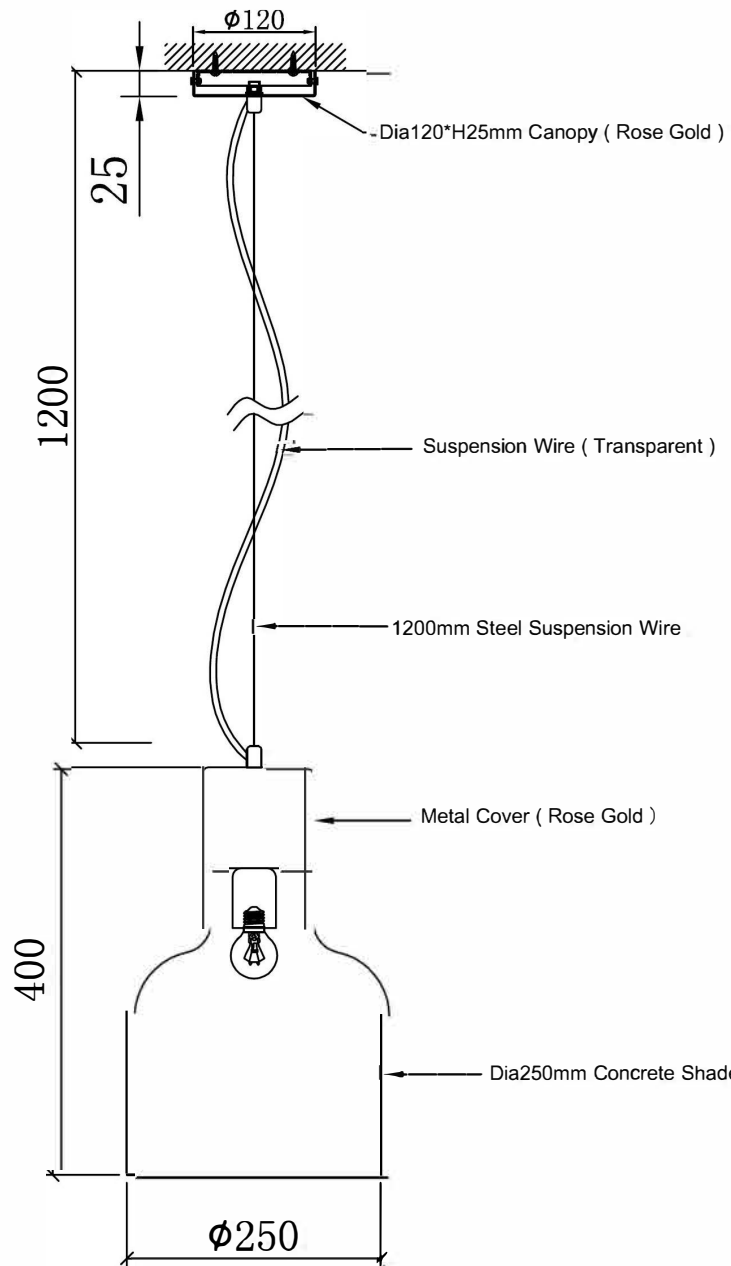
Installation Area:  
Office indoor

Customer confirmation:

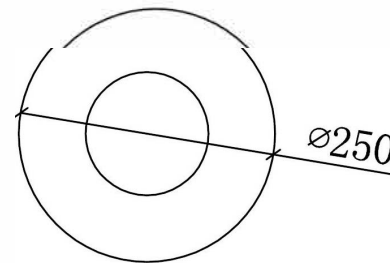
Model No.:	LP400MB
Fixture Type:	Pendant Light
Dimension:	D400mm
Finishing:	
Weight:	
Quantity:	5 pcs
Light Source:	E27 Bulb
Standard:	CE

Drawn by:	
Checked by:	
Proportion:	
Date:	Mar 12, 2018

Length Unit: MM	
--------------------	--



Front view



Top view



Reference photo

**lumeplus**

Saving Energy Technical Services LLC  
 Tel: +971 43511239  
 Fax: +971 43511230  
 Email: admin@savingenergytech.com  
 Website: www.savingenergytech.com

Version	Revision date
1	
2	
3	
4	

Project Name:  
**Dubai UAE Project**

Installation Area:  
**Office indoor**

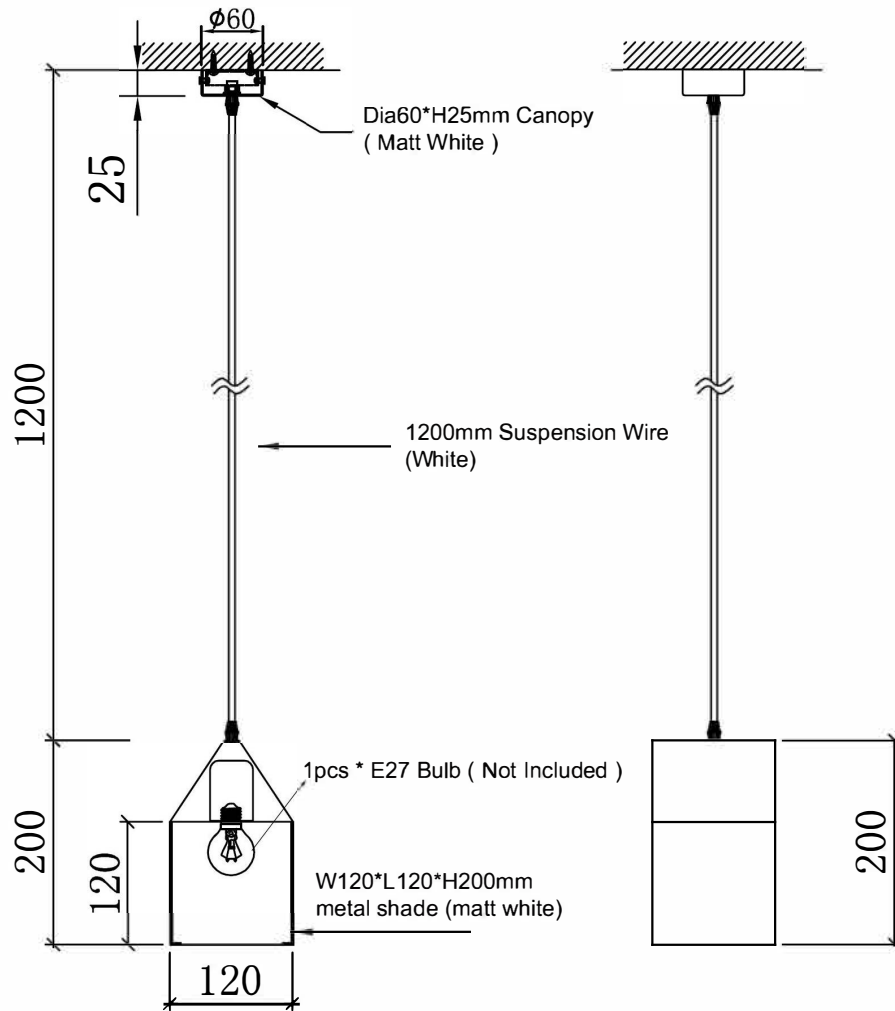
Customer confirmation:

Model No.:	LP2540CM
Fixture Type:	Pendant Light
Dimension:	D250*H400mm
Finishing:	
Weight:	
Quantity:	1 set
Light Source:	E27 Bulb
Standard:	CE

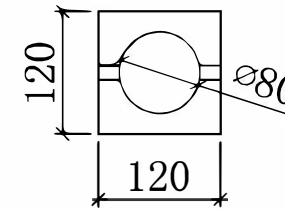
Drawn by:	
Checked by:	
Proportion:	
Date:	Mar 12, 2018

Length Unit:  
**MM**





Front view



Top view



Reference photo

**lumeplus**

Saving Energy Technical Services LLC  
 Tel: +971 43511239  
 Fax: +971 43511230  
 Email: admin@savingenergytech.com  
 Website: www.savingenergytech.com

Version	Revision date
1	---
2	
3	
4	

Project Name:  
 Dubai UAE Project

Installation Area:  
 Office indoor

Customer confirmation:

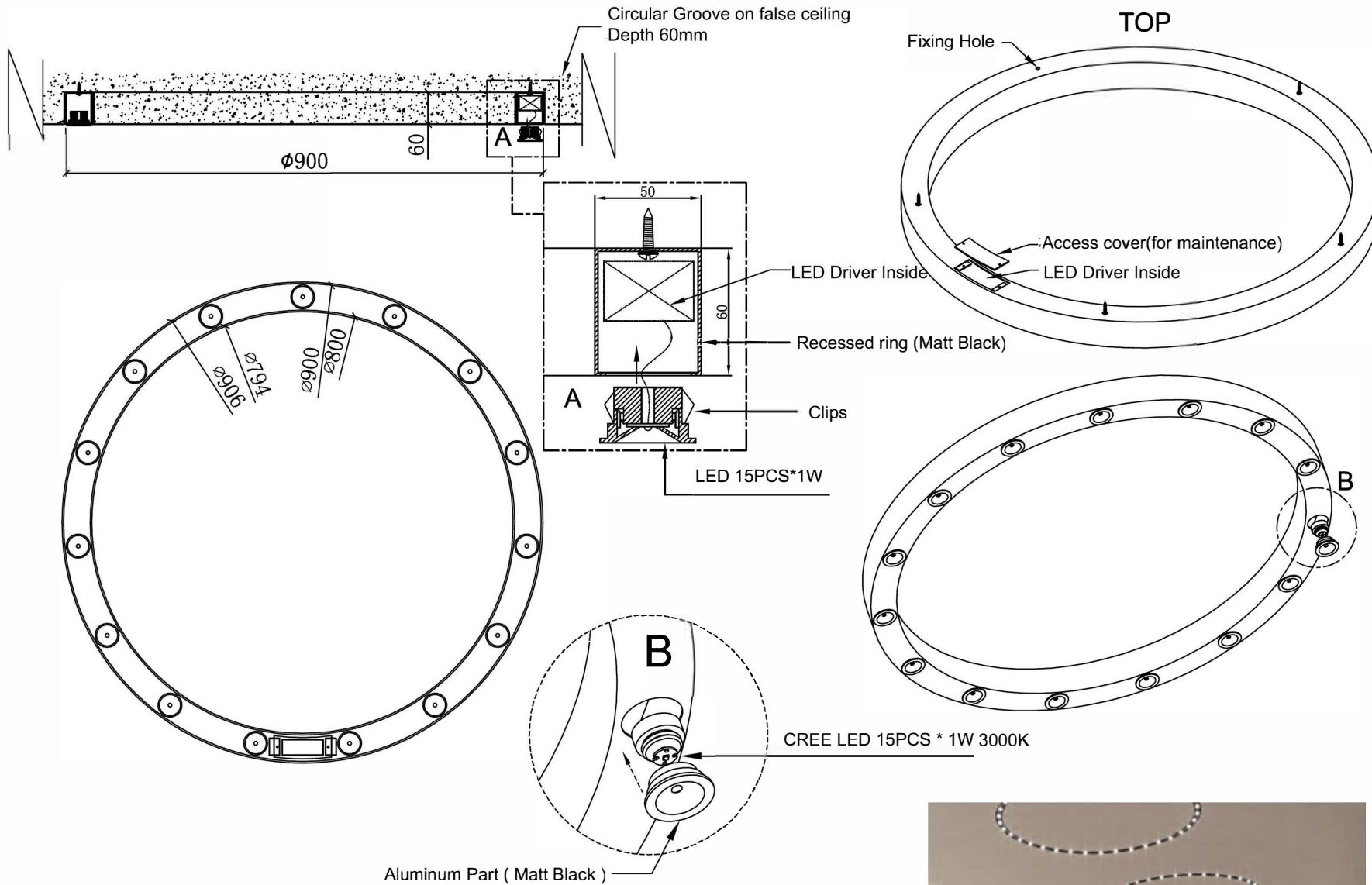
Model No.:	LP121220MB
Fixture Type:	Pendant Light
Dimension:	W120*L120*H200
Finishing:	
Weight:	
Quantity:	10 pcs
Light Source:	E27 Bulb
Standard:	CE

Drawn by:	
Checked by:	
Proportion:	
Date:	Mar 12, 2018

Length Unit: MM	
--------------------	--







Reference photo

**lumeplus**

Saving Energy Technical Services LLC  
 Tel: +971 43511239  
 Fax: +971 43511230  
 Email: admin@savingenergytech.com  
 Website: www.savingenergytech.com

Version	Revision date
1	---
2	
3	
4	

Project Name:  
**Dubai UAE Project**

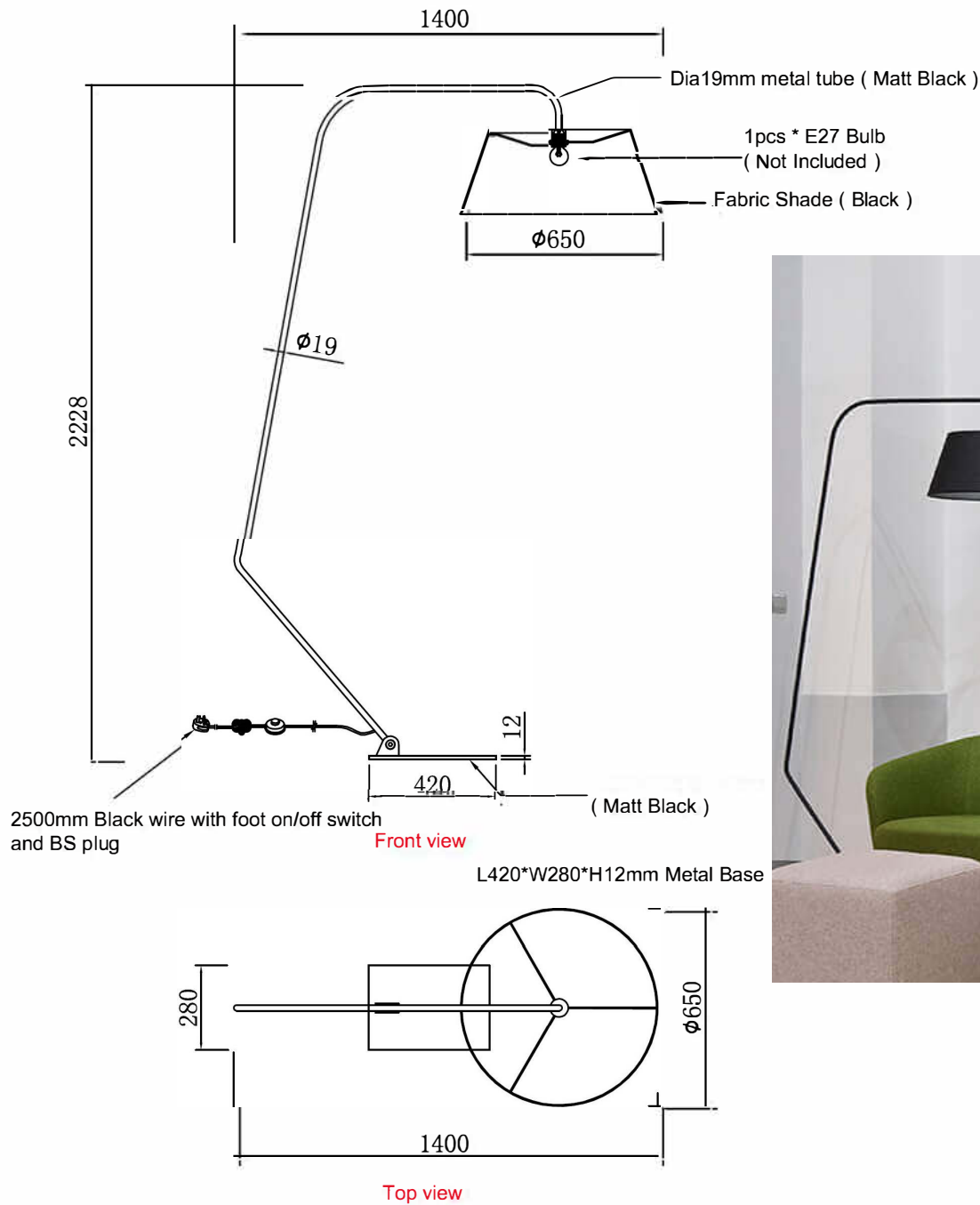
Installation Area:  
**Office indoor**

Customer confirmation:

Model No.:	LPR900MB
Fixture Type:	Recessed light
Dimension:	Dia 900 mm
Finishing:	
Weight:	
Quantity:	3 pcs
Light Source:	Built-in LED
Standard:	CE

Drawn by:	
Checked by:	
Proportion:	
Date:	Mar 12, 2018

Length Unit: MM	
--------------------	--



Reference photo

Version	Revision date
1	
2	
3	
4	

Project Name:  
Dubai UAE Project

Installation Area:  
Office indoor

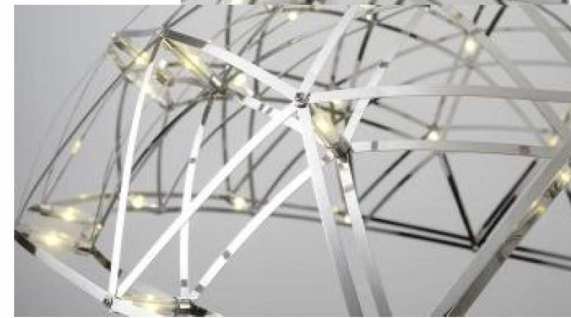
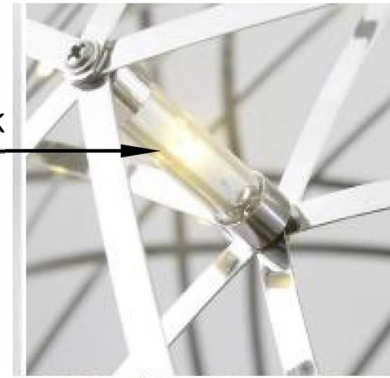
Customer confirmation:

Model No.:	LPF21095MB
Fixture Type:	Floor Light
Dimension:	Dia650*H2228mm
Finishing:	
Weight:	
Quantity:	21 pcs
Light Source:	E27 Bulbs
Standard:	CE

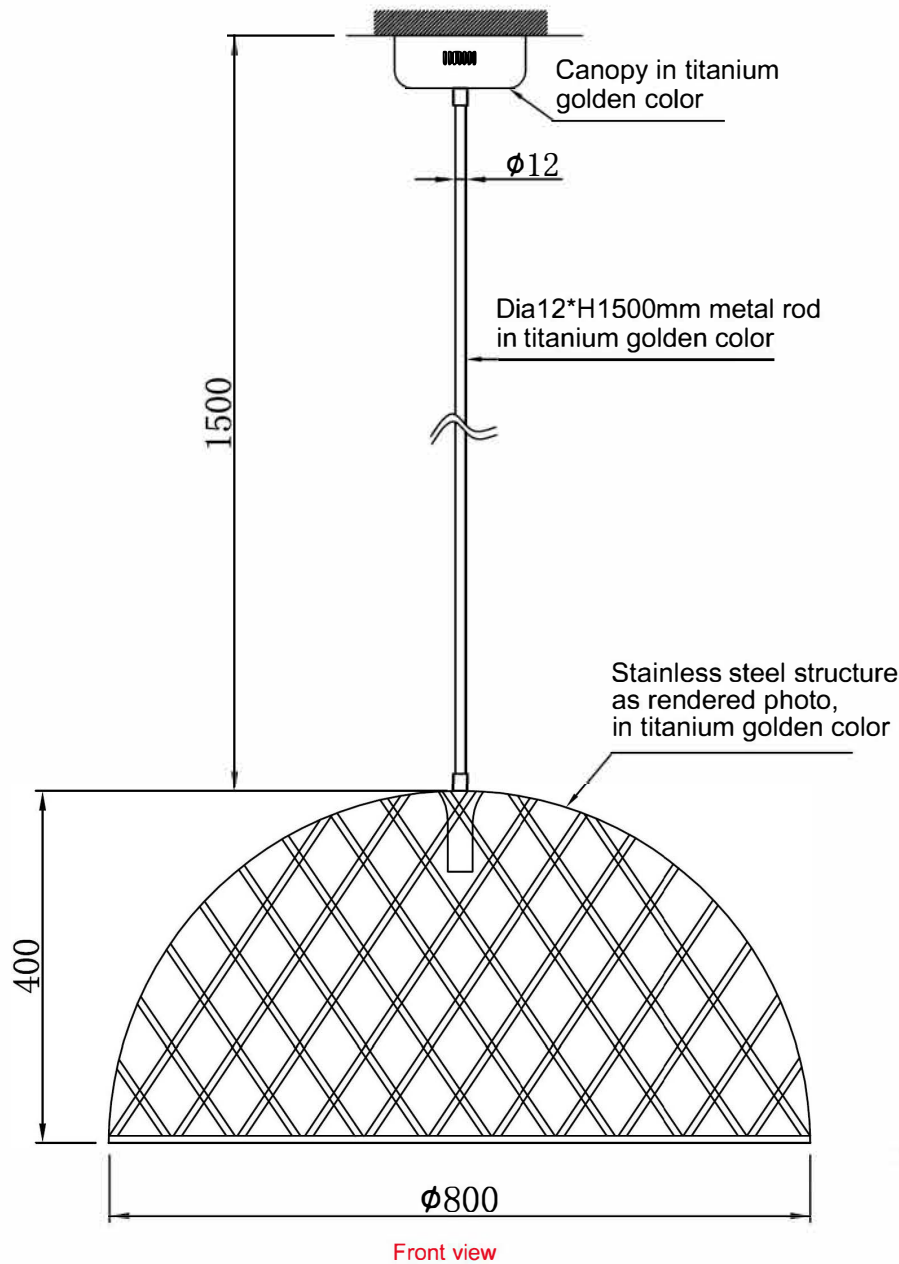
Drawn by:	
Checked by:	
Proportion:	
Date:	Mar 12, 2018

Length Unit: MM	
--------------------	--

Built-in LED 18W 3000K



Reference photo



Version	Revision date
1	---
2	
3	
4	

Project Name:  
Property Finder

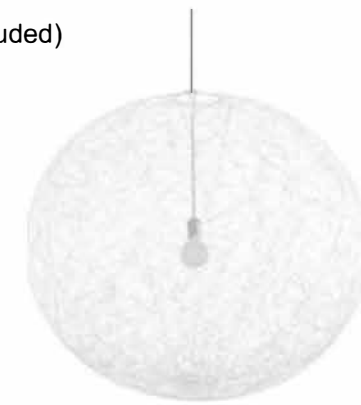
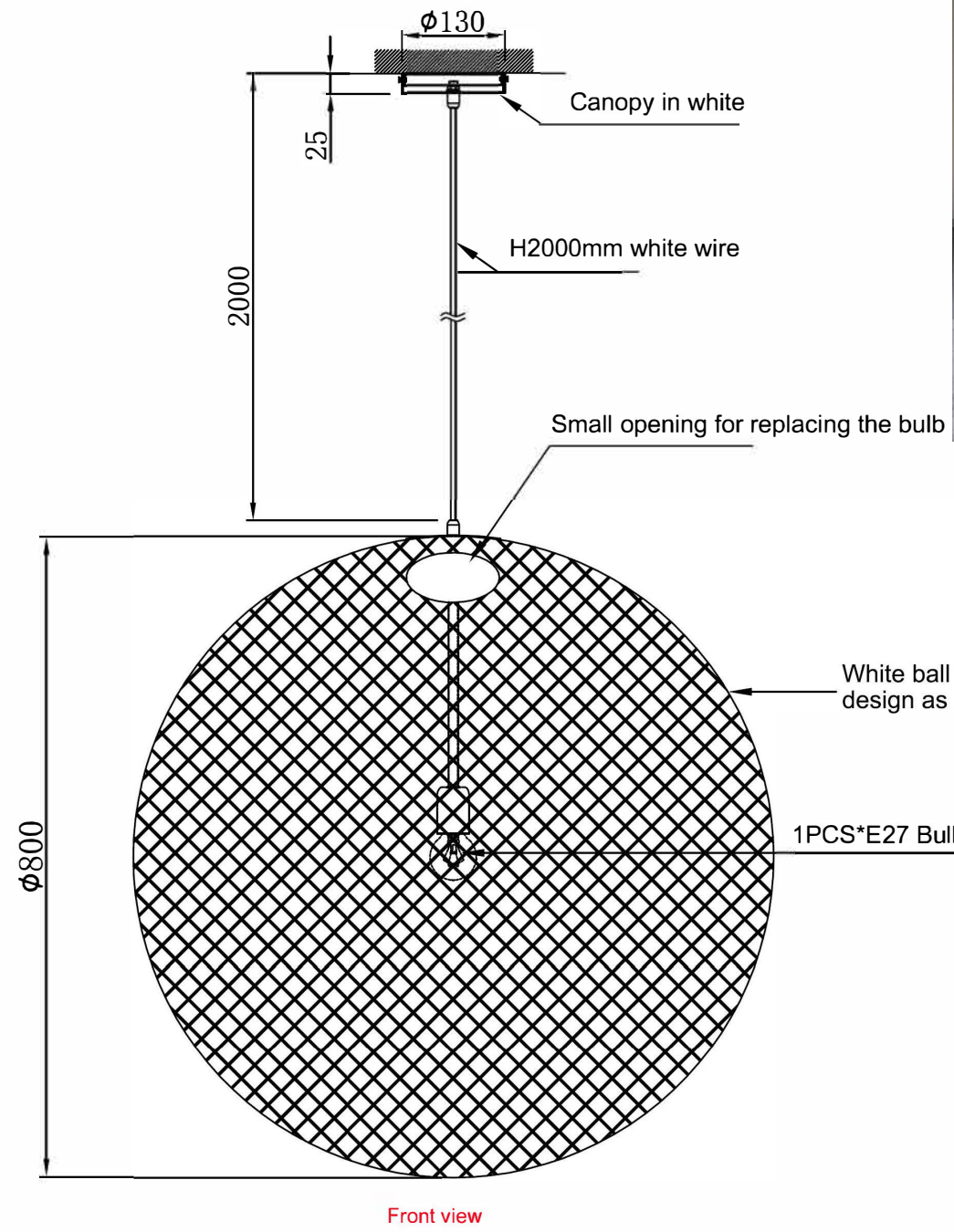
Installation Area:  
Office indoor

Customer confirmation:

Model No.:	L109
Fixture Type:	Pendant Light
Dimension:	Dia800*H400mm
Finishing:	
Weight:	
Quantity:	5 pcs
Light Source:	Built-in LED
Standard:	CE

Drawn by:	
Checked by:	
Proportion:	
Date:	Nov.29, 2017

Length Unit: MM	
--------------------	--



Reference photo

Version	Revision date
1	---
2	
3	
4	

Project Name:  
Dubai UAE Project

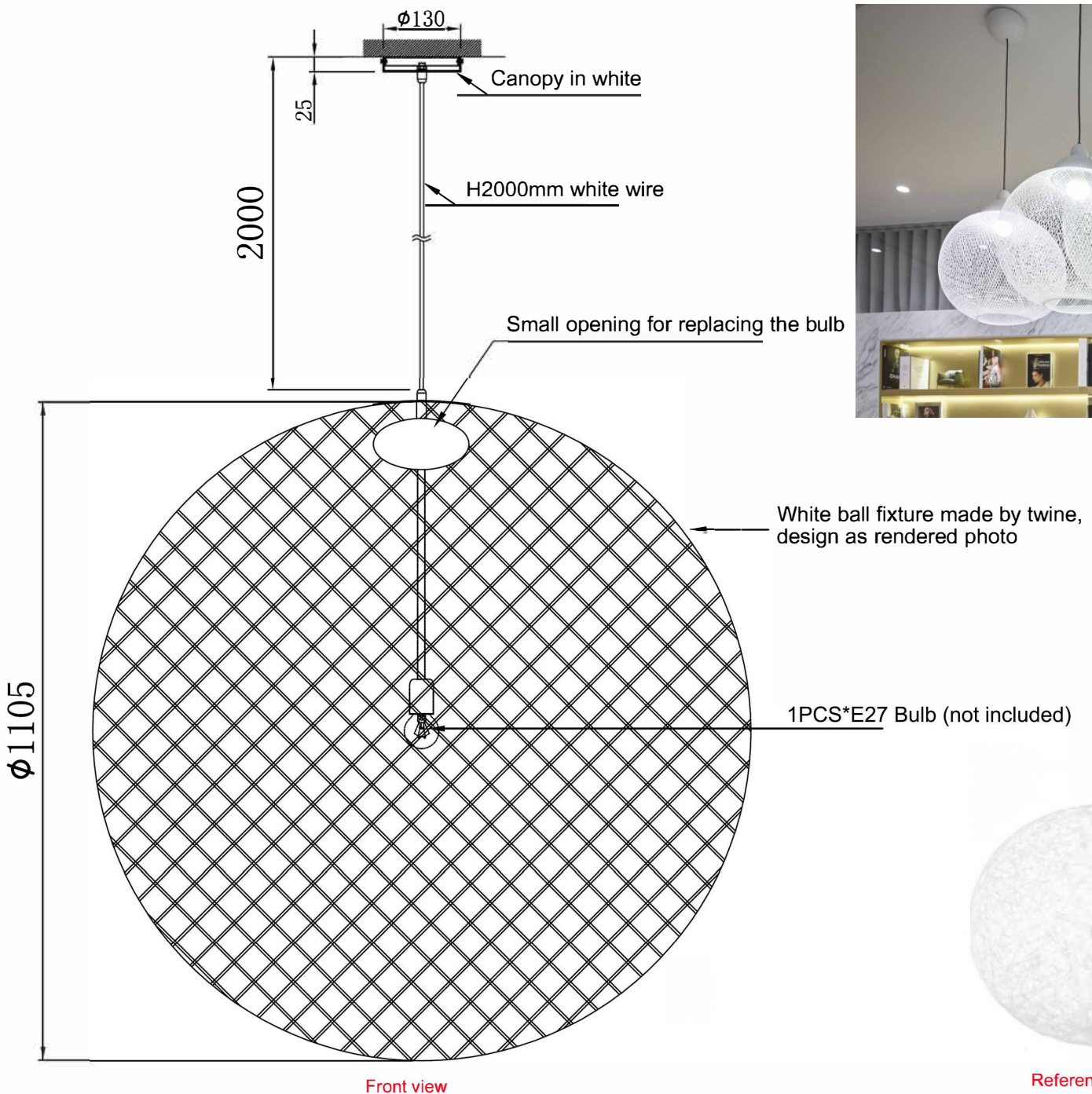
Installation Area:  
Office indoor

Customer confirmation:

Model No.:	L110-800
Fixture Type:	Pendant Light
Dimension:	Dia800mm
Finishing:	White
Weight:	
Quantity:	1 pcs
Light Source:	E27 Bulb
Standard:	CE

Drawn by:	
Checked by:	
Proportion:	
Date:	Nov.29, 2017

Length Unit: MM	
--------------------	--



**lumeplus**

Saving Energy Technical Services Ilc  
 Tel: +971 43511239  
 Fax: +971 43511230  
 Email: admin@savingenergytech.com  
 Website: www.savingenergytech.com

Version	Revision date
1	---
2	
3	
4	

Project Name:  
 Dubai UAE Project

Installation Area:  
 Office indoor

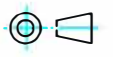
Customer confirmation:

Model No.:	L110-1105
Fixture Type:	Pendant Light
Dimension:	Dia1105mm
Finishing:	White
Weight:	
Quantity:	1 pcs
Light Source:	E27 Bulb
Standard:	CE

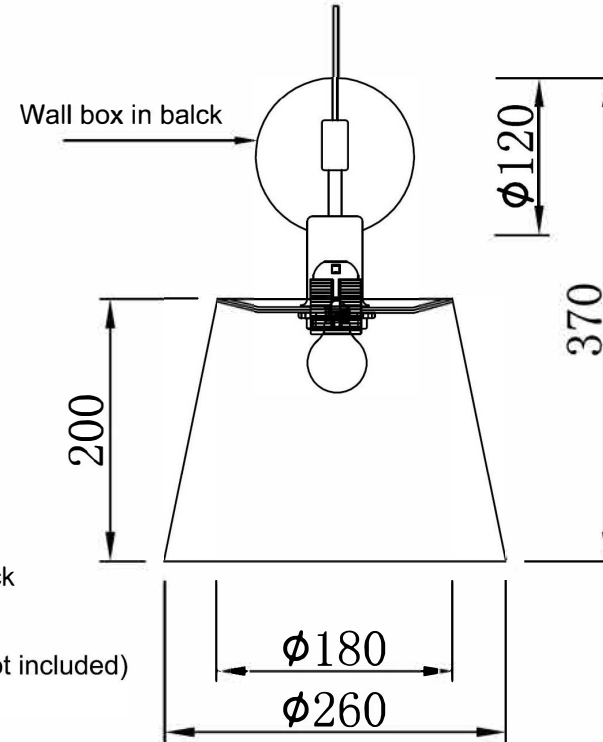
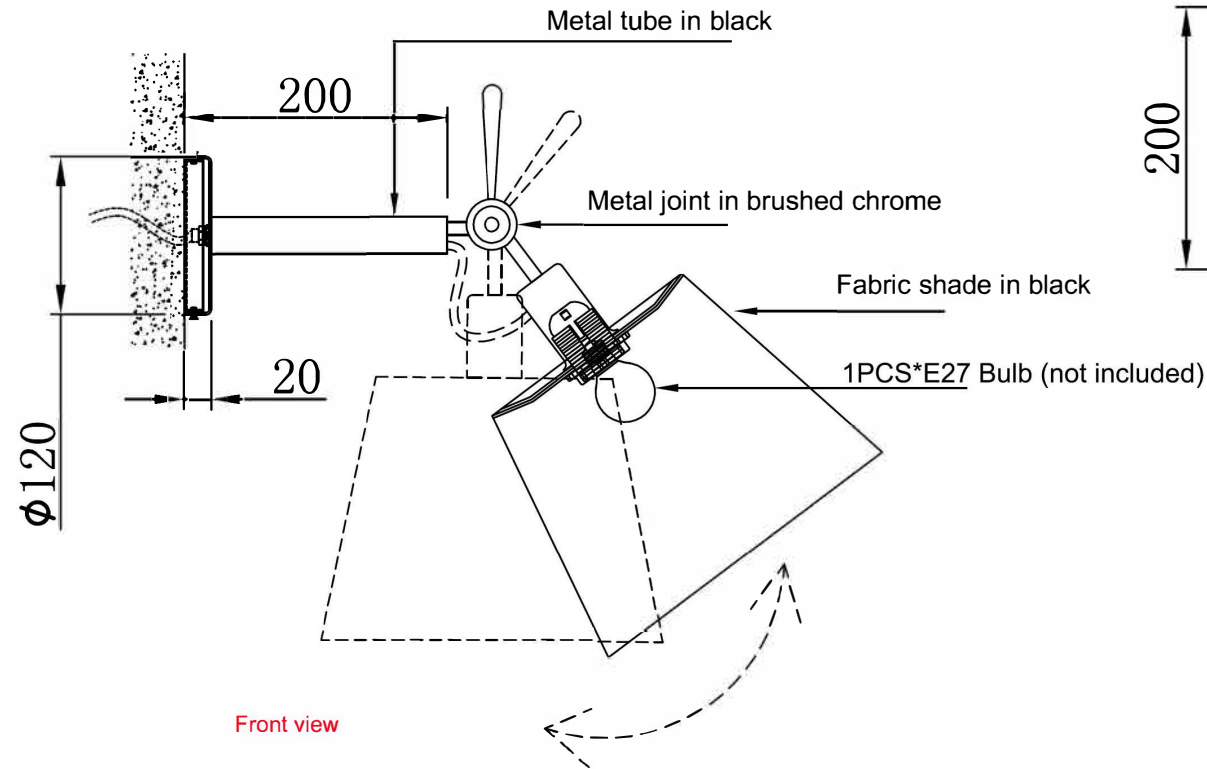
Drawn by:  
 Checked by:  
 Proportion:

Date: Nov.29, 2017

Length Unit:  
 MM



Production standard: GB7000.10-2002, GB700.11-2002, GB7000.1-2002



Reference photo

lumepus

Saving Energy Technical Services LLC  
 Tel: +971 43511239  
 Fax: +971 43511230  
 Email: admin@savingenergytech.com  
 Website: www.savingenergytech.com

Version	Revision date
1	---
2	
3	
4	

Project Name:  
Dubai UAE Project

Installation Area:  
Office indoor

Customer confirmation:

Model No.:	L114
Fixture Type:	Pendant Light
Dimension:	D260*H370mm
Finishing:	BK+BC
Weight:	
Quantity:	3 pcs
Light Source:	E27 Bulb
Standard:	CE

Drawn by:	
Checked by:	
Proportion:	
Date:	Nov.29, 2017

Length Unit: MM	
--------------------	--

Version	Revision date
1	---
2	
3	
4	

Project Name:  
Dubai UAE Project

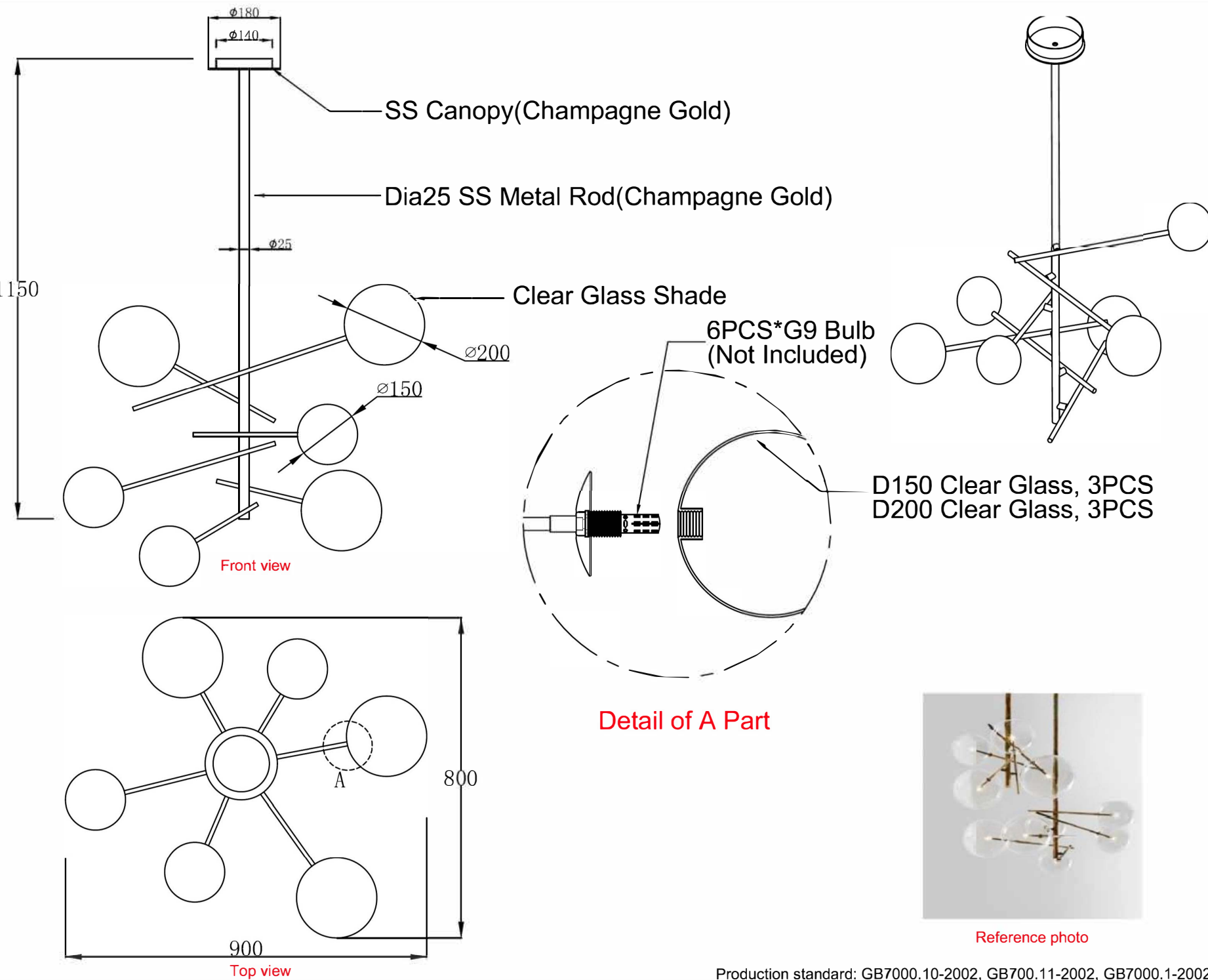
Installation Area:  
Office indoor

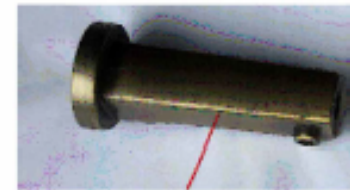
Customer confirmation:

Model No.:	LP 203
Fixture Type:	Pendant Light
Dimension:	L900*W800*H1150
Finishing:	
Weight:	
Quantity:	1 pcs
Light Source:	G9 Bulb
Standard:	CE

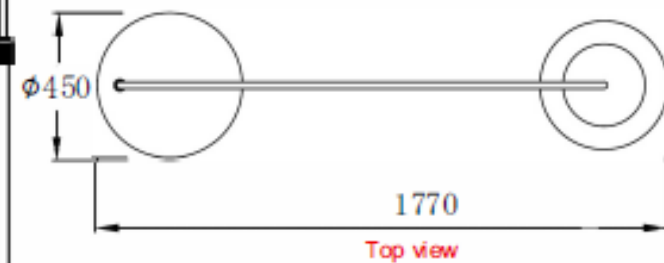
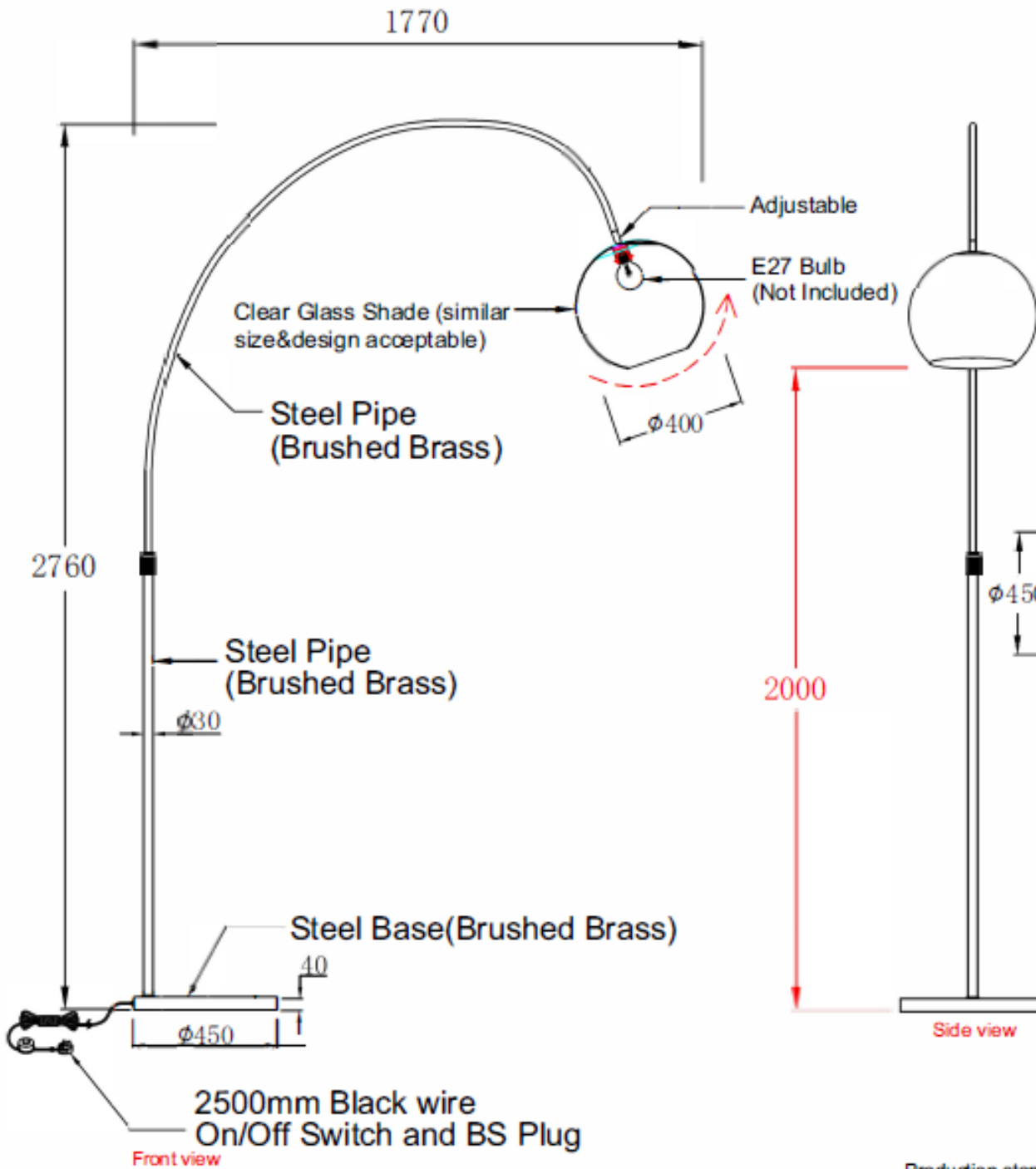
Drawn by:	
Checked by:	
Proportion:	
Date:	Apr 17, 2018

Length Unit:	MM
	





Brushed Brass color  
close to this color sample



Top view



Reference photo

Version	Revision date
▽	---
▽	
▽	
▽	

Project Name:  
Dubai UAE Project

Installation Area:  
Office indoor

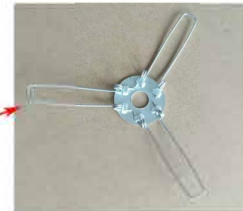
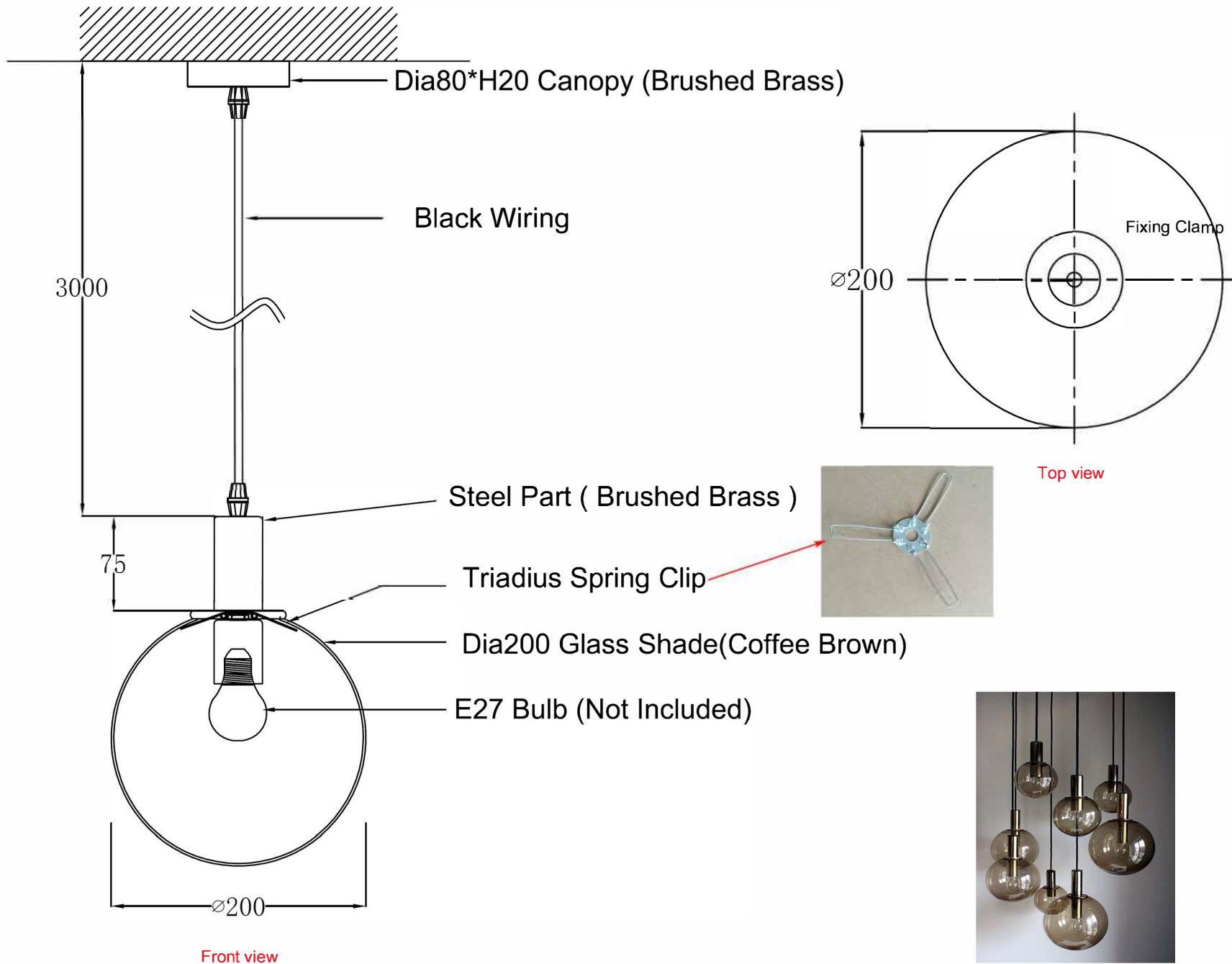
Customer confirmation:

Model No.:	LP-02
Fixture Type:	Floor Light
Dimension:	Dia400*H2760mm
Finishing:	
Weight:	
Quantity:	1 pcs
Light Source:	E27 Bulb
Standard:	CE

Drawn by:	
Checked by:	
Proportion:	
Date:	May 08, 2018

Length Unit	MM





Reference photo

Version	Revision date
1	---
2	
3	
4	

Project Name:  
Dubai UAE Project

Installation Area:  
Office indoor

Customer confirmation:

Model No.:	LP126AS1
Fixture Type:	Pendant Light
Dimension:	Dia 200 mm
Finishing:	
Weight:	
Quantity:	11 pcs
Light Source:	E27 Bulb
Standard:	CE

Drawn by:	
Checked by:	
Proportion:	
Date:	Apr 13, 2018

Length Unit: MM	
--------------------	--

Version	Revision date
1	---
2	
3	
4	

Project Name:  
Dubai UAE Project

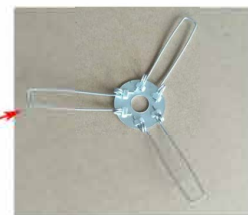
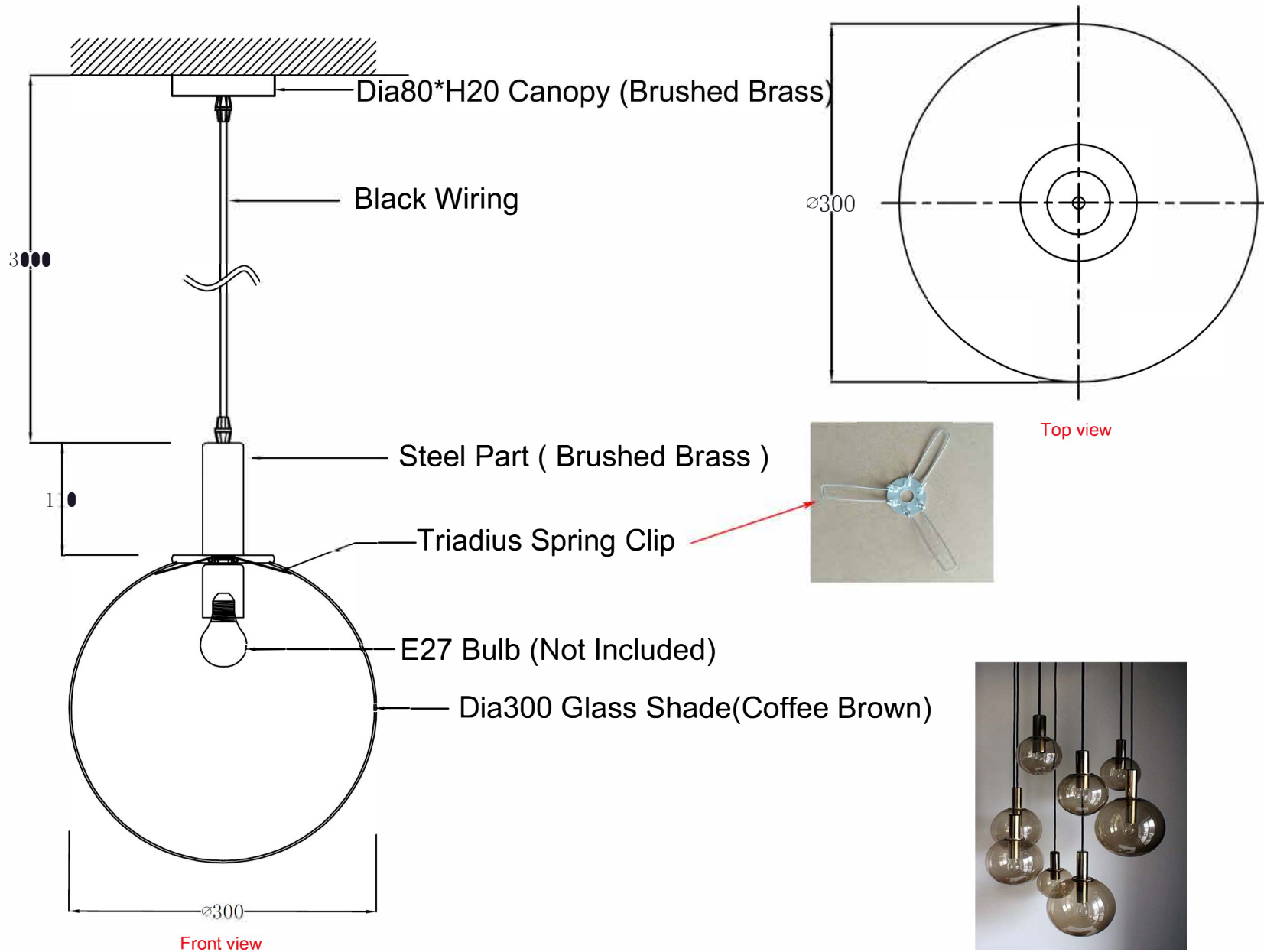
Installation Area:  
Office indoor

Customer confirmation:

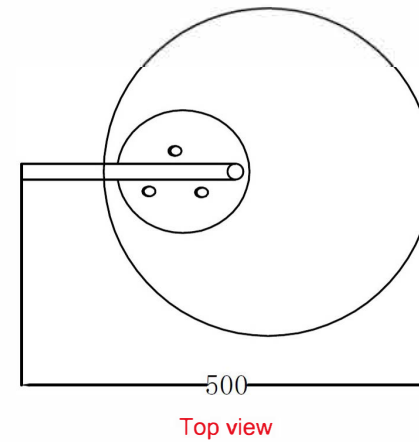
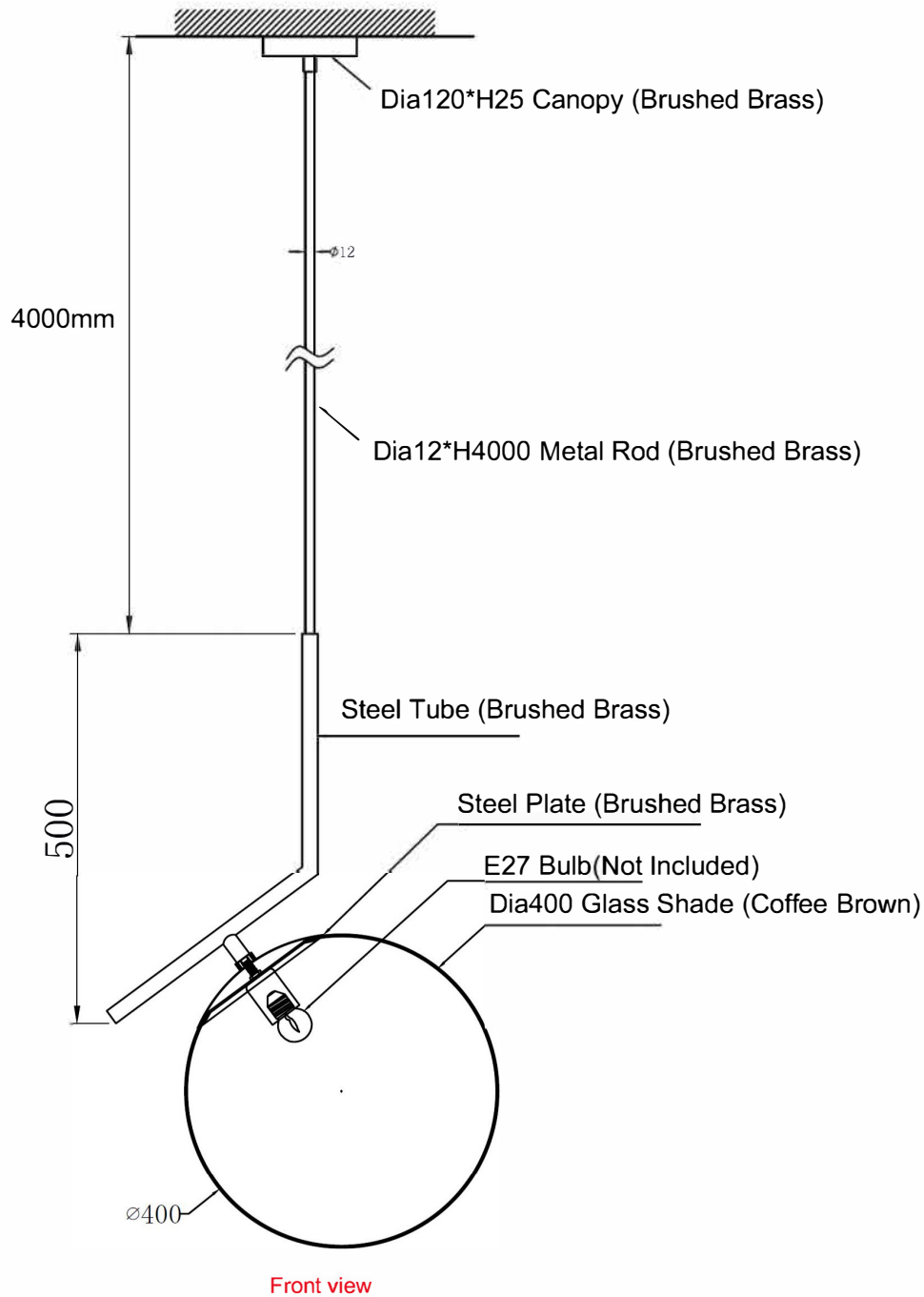
Model No.:	LP126AS2
Fixture Type:	Pendant Light
Dimension:	Dia 300 mm
Finishing:	
Weight:	
Quantity:	15 pcs
Light Source:	E27 Bulb
Standard:	CE

Drawn by:	
Checked by:	
Proportion:	
Date:	Apr 13, 2018

Length Unit: MM	
--------------------	--



Reference photo



Reference photo

Version	Revision date
1	---
2	
3	
4	

Project Name: Dubai UAE Project
Installation Area: Office indoor

Customer confirmation:

Model No.:	LP126AS3
Fixture Type:	Pendant Light
Dimension:	OH-Dia 500 mm
Finishing:	
Weight:	
Quantity:	1 pcs
Light Source:	E27 Bulb
Standard:	CE

Drawn by:	
Checked by:	
Proportion:	
Date:	Apr 17, 2018

Length Unit: MM	
--------------------	--

Version	Revision date
1	---
2	
3	
4	

Project Name:  
Dubai UAE Project

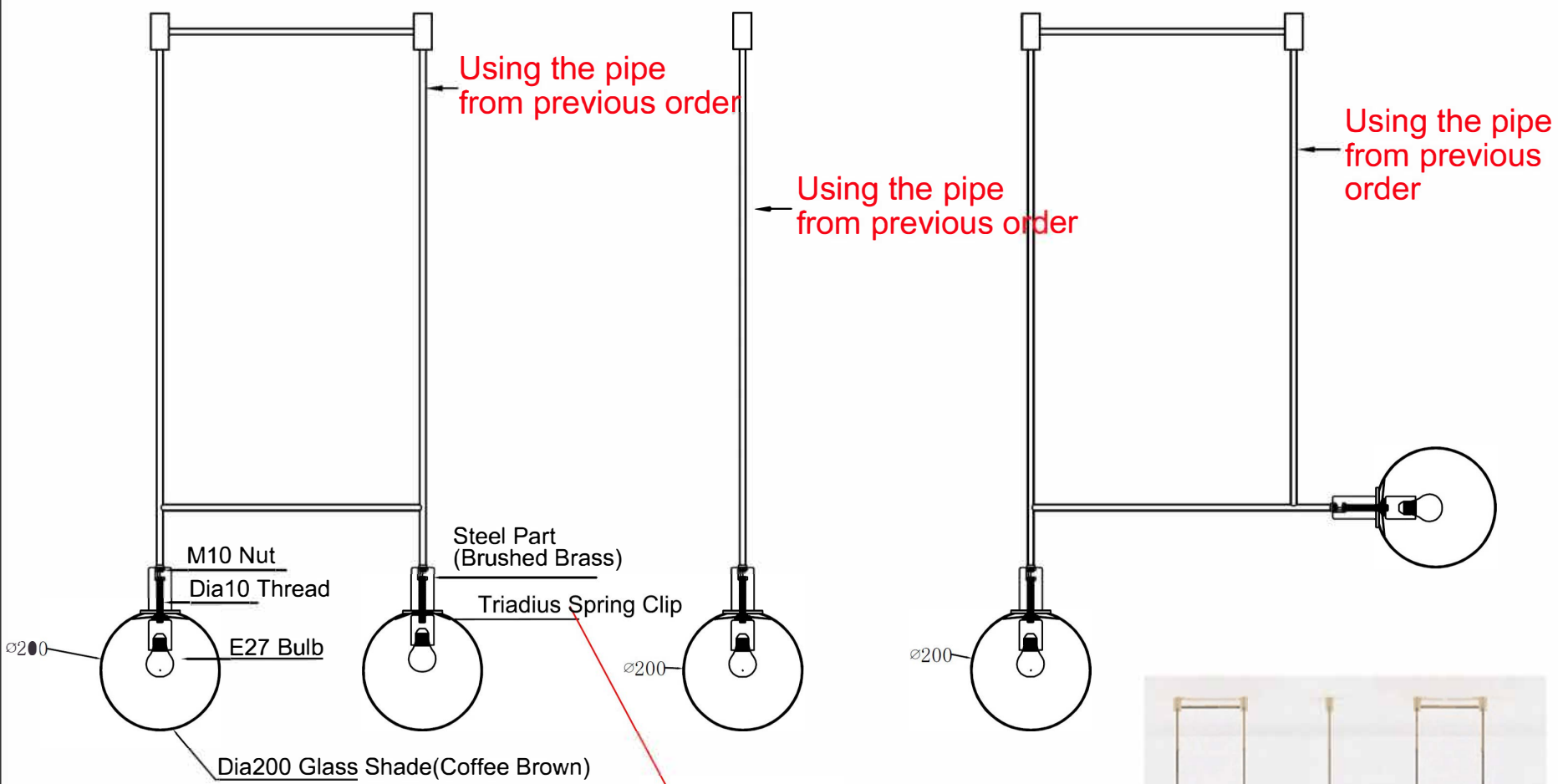
Installation Area:  
Office indoor

Customer confirmation:

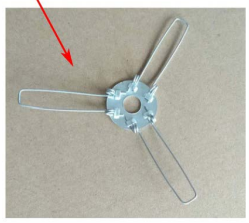
Model No.:	LP126AS4
Fixture Type:	Pendant Light
Dimension:	Dia 200 mm
Finishing:	
Weight:	
Quantity:	5 pcs
Light Source:	E27 Bulb
Standard:	CE

Drawn by:	
Checked by:	
Proportion:	
Date:	Apr 13, 2018

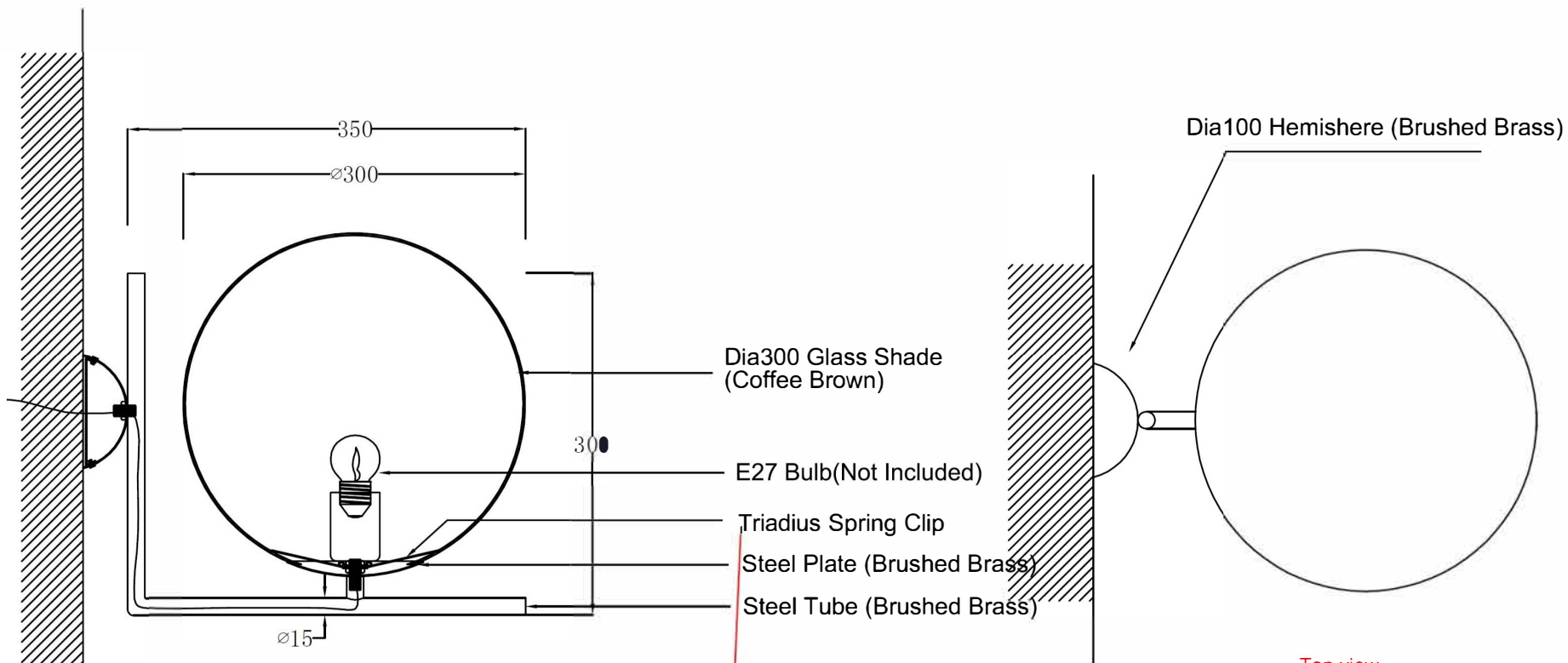
Length Unit:	MM
--------------	----



Front view



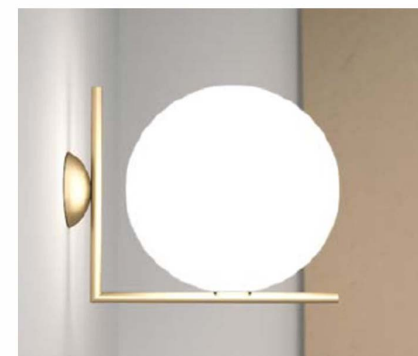
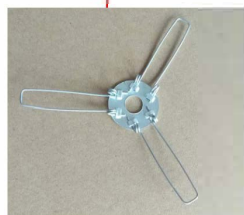
Reference photo



Front view

Dia100 Hemishere (Brushed Brass)

Top view



Reference photo

Version	Revision date
1	---
2	
3	
4	

Project Name:  
Dubai UAE Project

Installation Area:  
Office indoor

Customer confirmation:

Model No.:	LP126AS5
Fixture Type:	Wall Light
Dimension:	Dia 300 mm
Finishing:	
Weight:	
Quantity:	1 pcs
Light Source:	E27 Bulb
Standard:	CE

Drawn by:

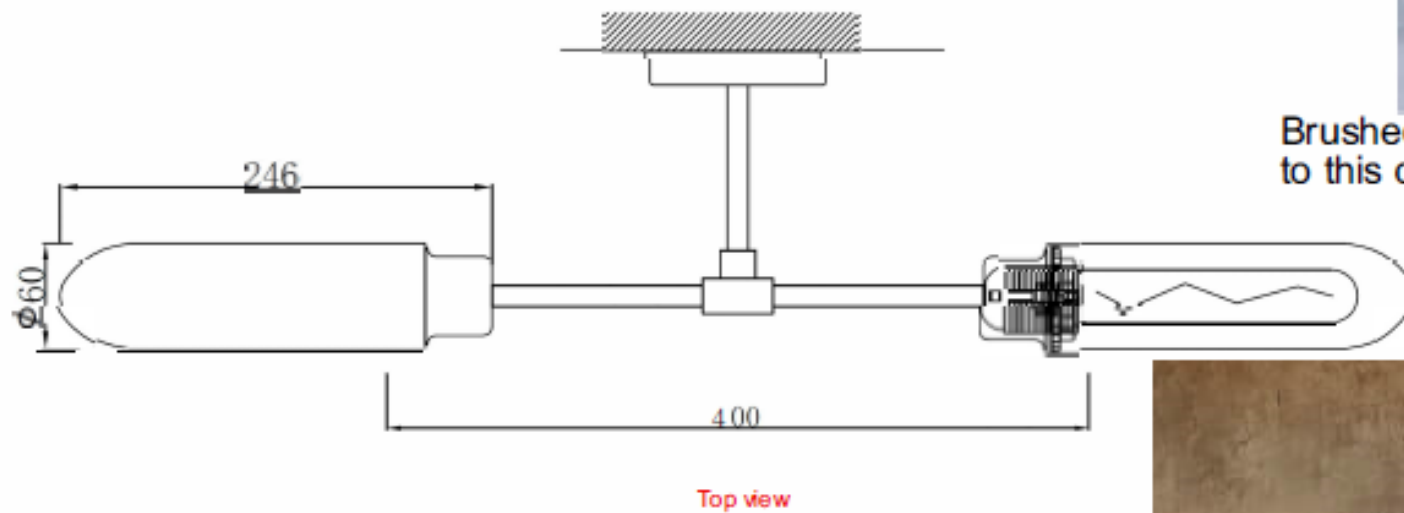
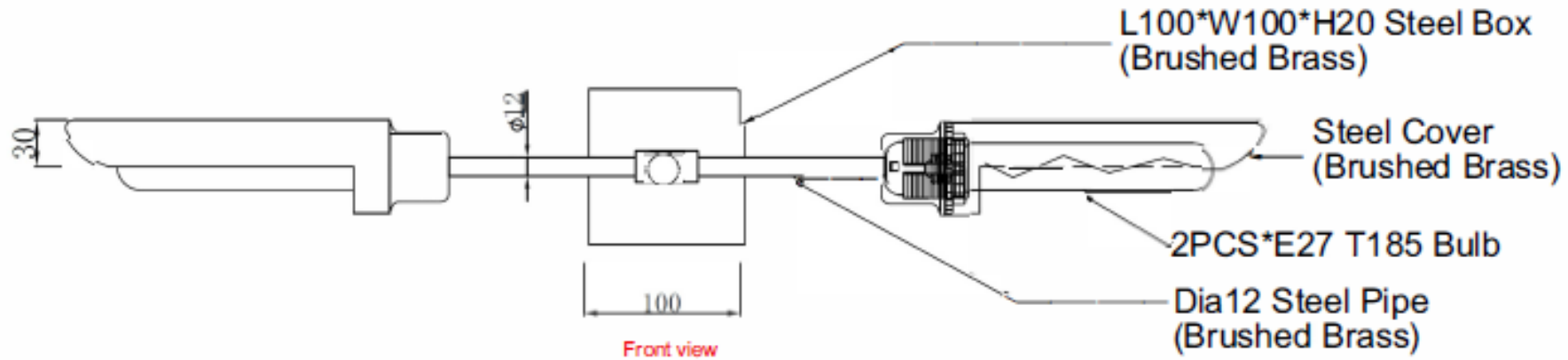
Checked by:

Proportion:

Date: Apr 13, 2018

Length Unit:  
MM





Brushed Brass color close to this color sample



Reference photo

Version	Revision date
▽	—
▽	
▽	
▽	

Project Name:  
Dubai UAE Project

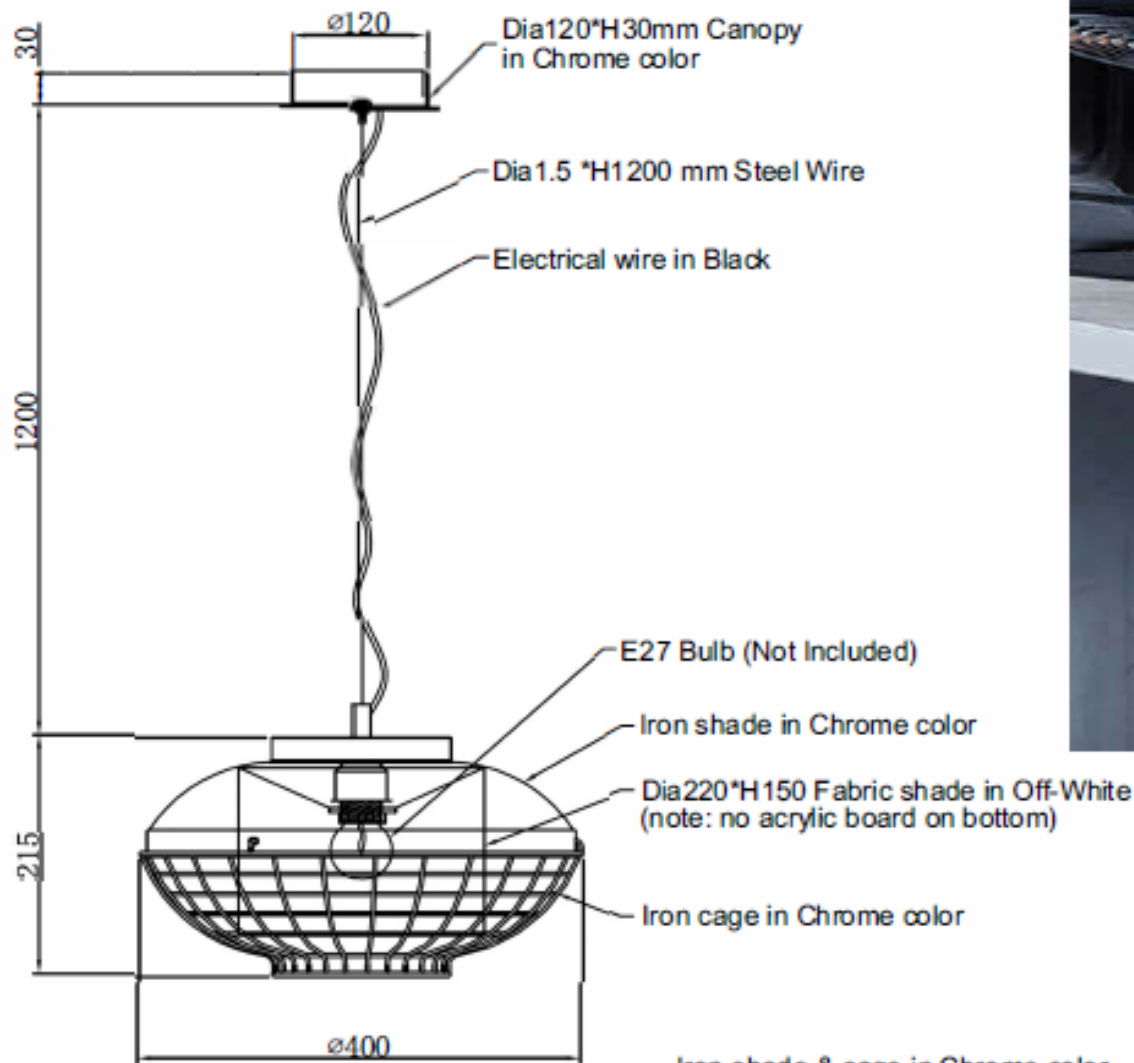
Installation Area:  
Office indoor

Customer confirmation:

Model No.:	LP-01
Fixture Type:	Wall Light
Dimension:	L400mm
Finishing:	
Weight:	
Quantity:	1 pcs
Light Source:	E27 Bulb
Standard:	CE

Drawn by:	
Checked by:	
Proportion:	
Date:	May 08, 2018

Length Unit:	MM



Iron shade & cage in Chrome color



Front view



Reference photo

Production standard: GB7000.10-2002, GB700.11-2002, GB7000.1-2002

**lumeplus**

Saving Energy Technical Services LLC  
 Tel: +971 43511239  
 Fax: +971 43511230  
 Email: admin@savingenergytech.com  
 Website: www.savingenergytech.com

Version	Revision date
1	—
2	
3	
4	

Project Name:  
**Hilton Hotel, Mexico**

Installation Area:  
**Hotel Indoor**

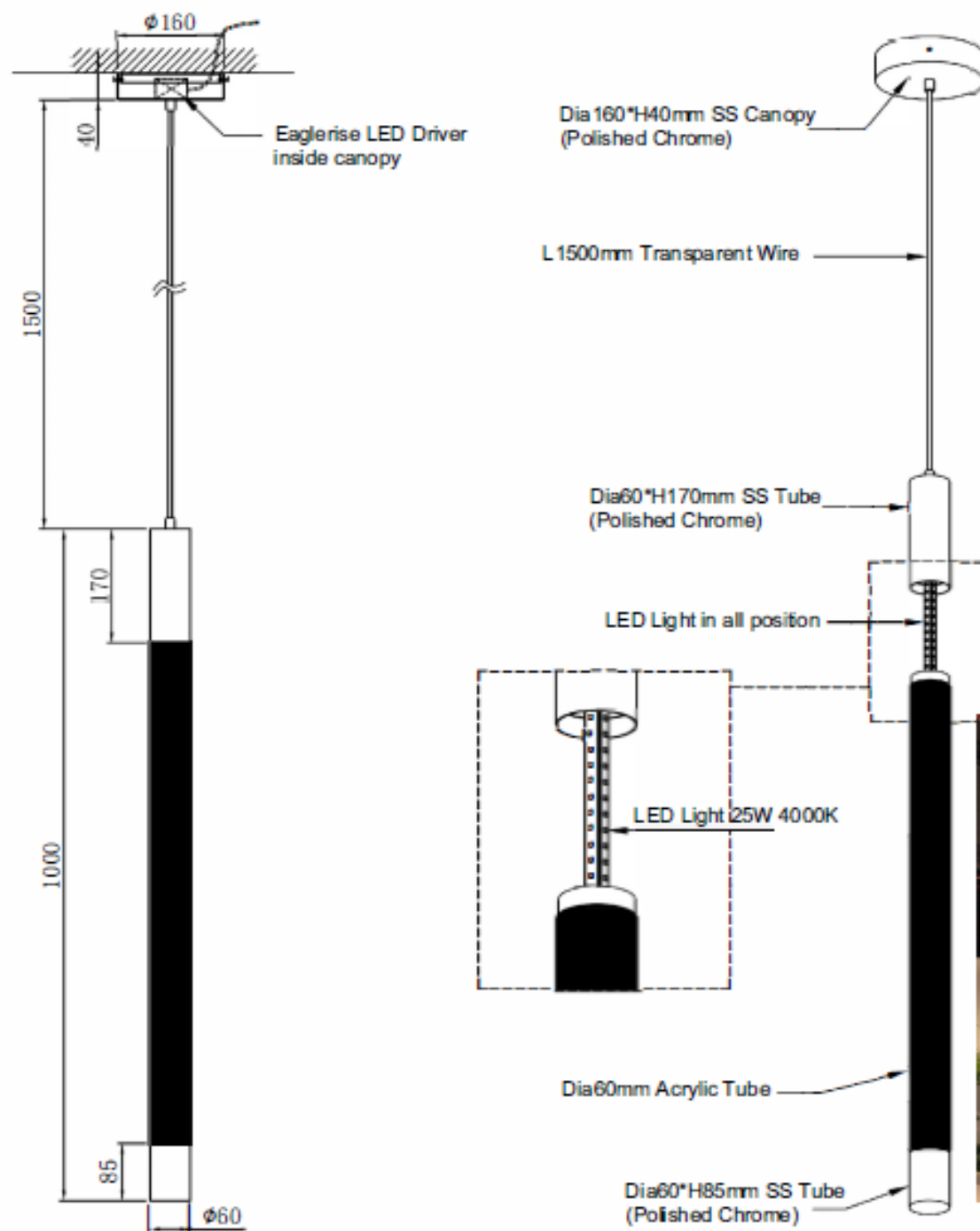
Customer confirmation:

Model No.:	
Fixture Type:	
Dimension:	
Finishing:	
Weight:	
Quantity:	
Light Source:	
Standard:	

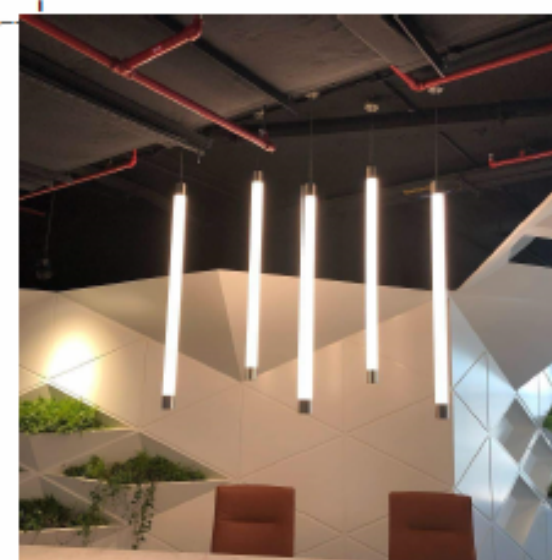
Drawn by:	
Checked by:	
Proportion:	
Date:	Oct. 19, 2017

Length Unit:	MM
--------------	----





Front view



Reference photo

Version	Revision date
1	---
2	
3	
4	

Project Name:  
Dubai UAE Project

Installation Area:  
Office indoor

Customer confirmation:

Model No.:	LP60 100CM
Fixture Type:	Pendant Light
Dimension:	Dia60*H1000mm
Finishing:	Chrome + MW
Weight:	
Quantity:	15 pcs
Light Source:	Built-in LED
Standard:	CE

Drawn by:

Checked by:

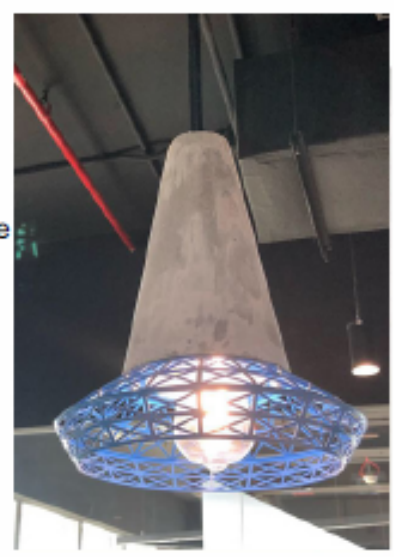
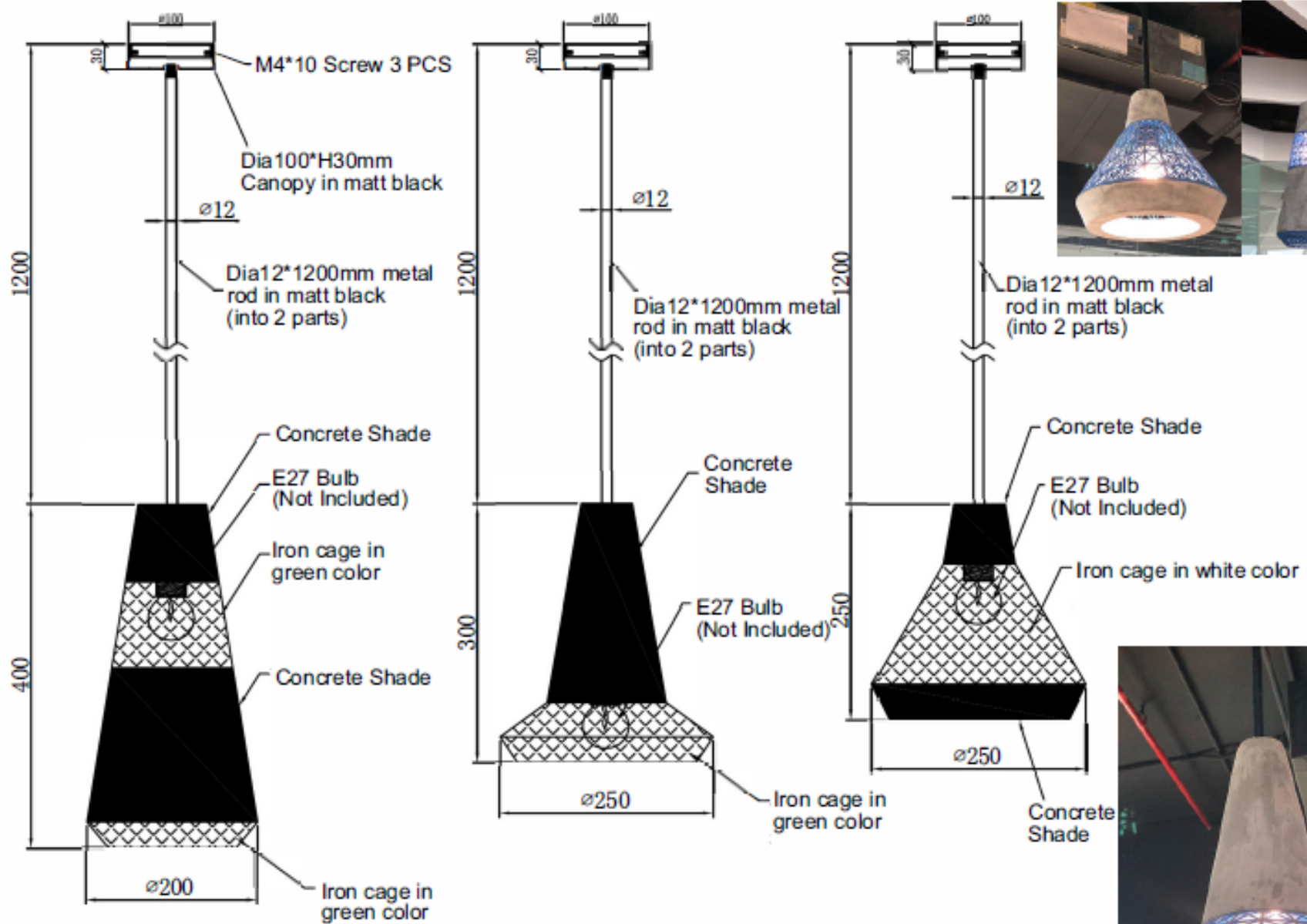
Proportion:

Date: July 23, 2018

Length Unit:  
MM







Reference photo

Note: Final dimension of actual products maybe not exactly same as above, but will be in similar size.

Front view

Production standard: GB7000.10-2002, GB700.11-2002, GB7000.1-2002

**lumeplus**  
 Saving Energy Technical Services llo  
 Tel: +971 43511239  
 Fax: +971 43511230  
 Email: admin@savingenergytech.com  
 Website: www.savingenergytech.com

Version	Revision date
1	—
2	
3	
4	

Project Name:  
**Hilton Hotel, Mexico**

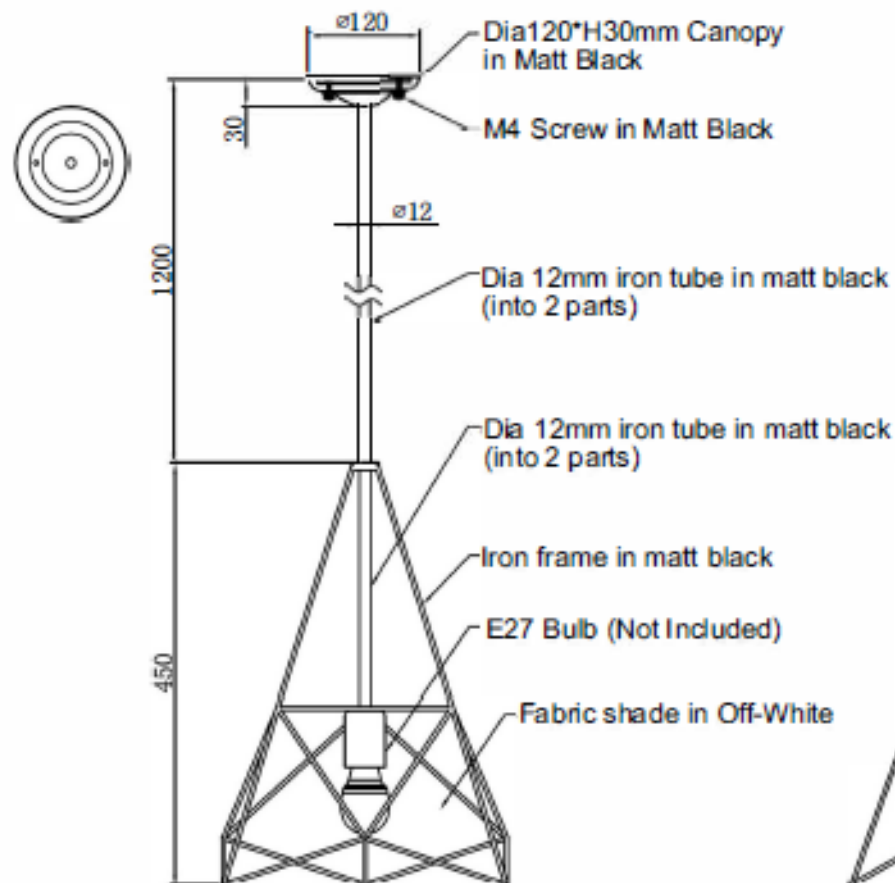
Installation Area:  
**Hotel Indoor**

Customer confirmation:

Model No.:	
Fixture Type:	
Dimension:	
Finishing:	
Weight:	
Quantity:	
Light Source:	
Standard:	

Drawn by:	
Checked by:	
Proportion:	
Date:	Oct.19, 2017

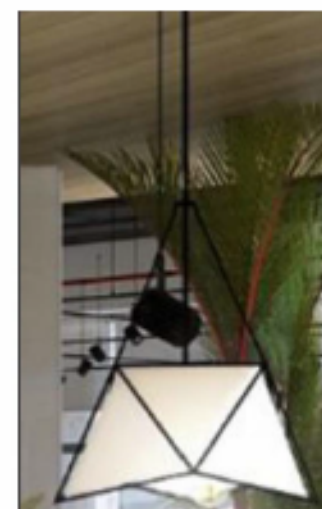
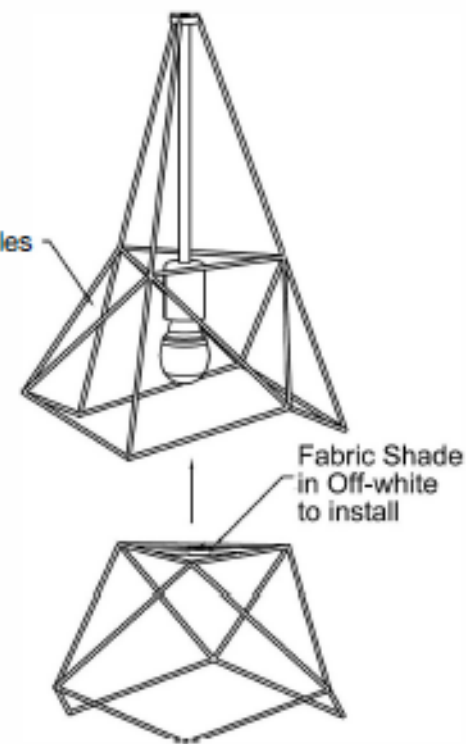
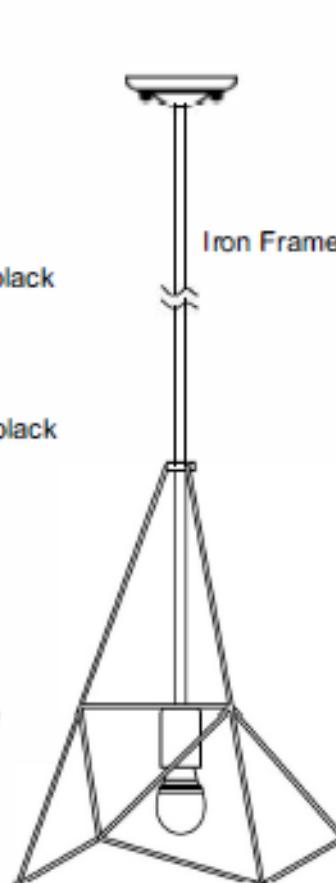
Length Unit MM	
-------------------	--



Front view



Top view



Reference photo

Version	Revision date
1	
2	
3	
4	

Project Name:  
UNBOX

Installation Area:  
Hotel Indoor

Customer confirmation:

Model No.:	
Fixture Type:	
Dimension:	
Finishing:	
Weight:	
Quantity:	
Light Source:	
Standard:	

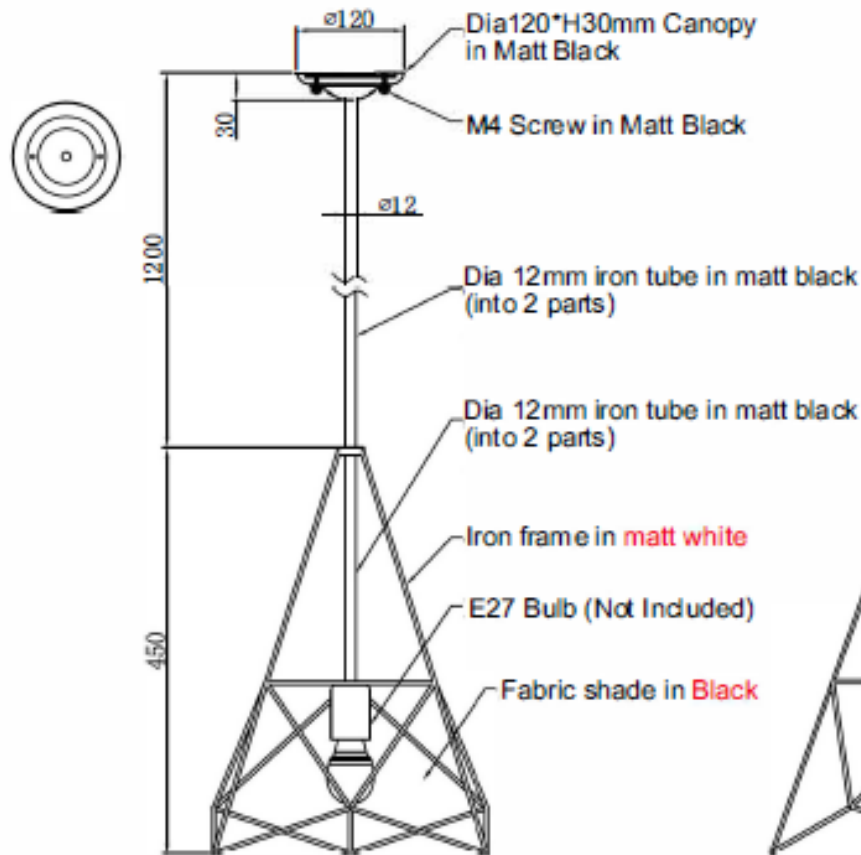
Drawn by:

Checked by:

Proportion:

Date: Oct. 19, 2017

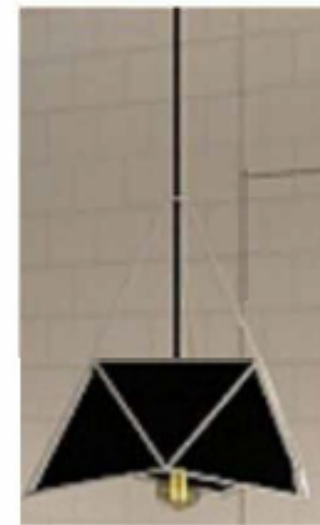
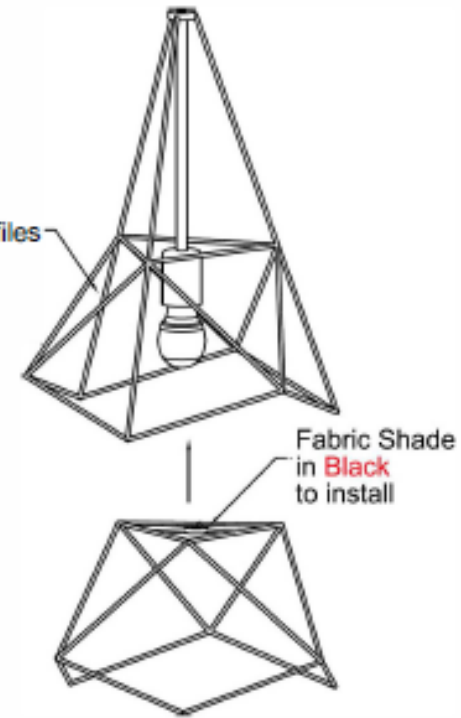
Length Unit: MM



Front view



Top view



Reference photo

Version	Revision date
▼	-----
▼	
▼	
▼	

Project Name:  
**UNBOX**

Installation Area:  
 Hotel Indoor

Customer confirmation:

Model No.:	
Fixture Type:	
Dimension:	
Finishing:	
Weight:	
Quantity:	
Light Source:	
Standard:	

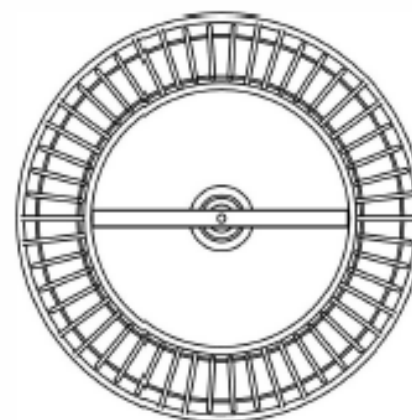
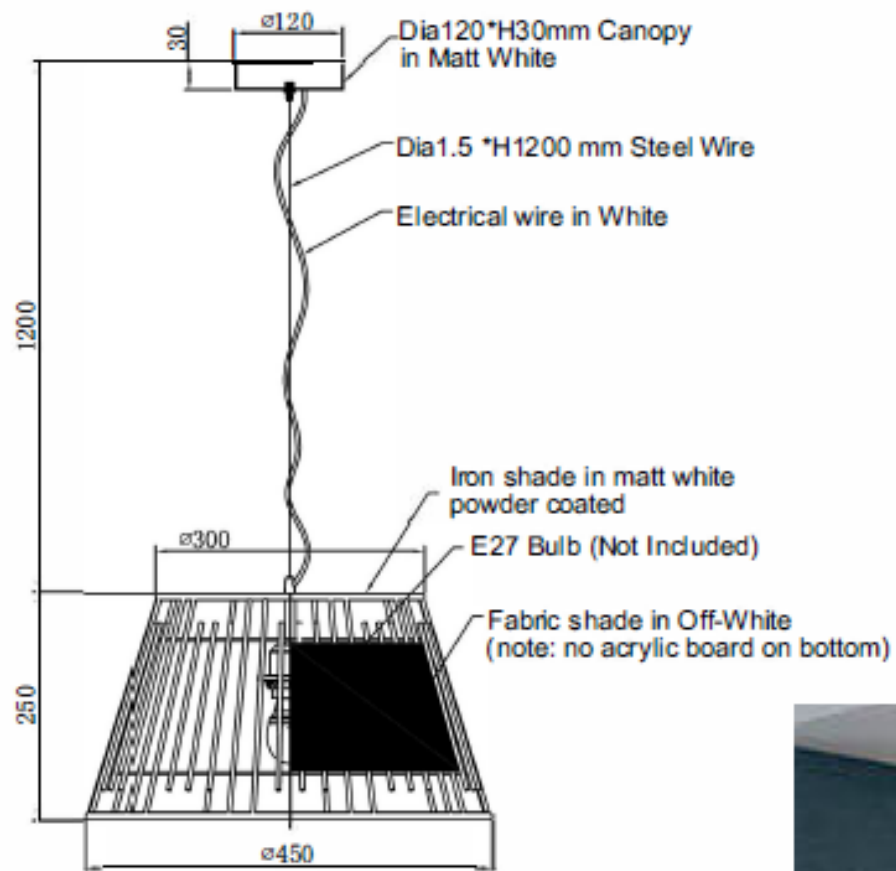
Drawn by:

Checked by:

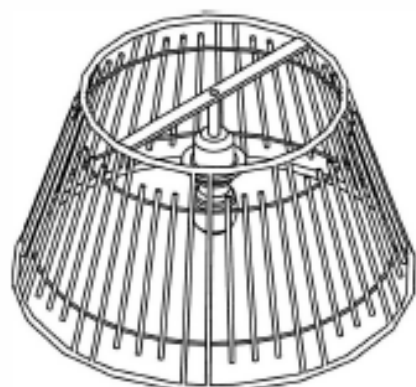
Proportion:

Date: Oct.19, 2017

Length Unit: MM



Top view



Front view



Reference photo

Version	Revision date
▽	
▽	
▽	
▽	

Project Name:  
UNBOX

Installation Area:  
Hotel Indoor

Customer confirmation:

Model No.:

Fixture Type:

Dimension:

Finishing:

Weight:

Quantity:

Light Source:

Standard:

Drawn by:

Checked by:

Proportion:

Date: Oct. 19, 2017

Length Unit:  
MM



Version	Revision date
▽	
▽	
▽	
▽	

Project Name:  
**UNBOX**

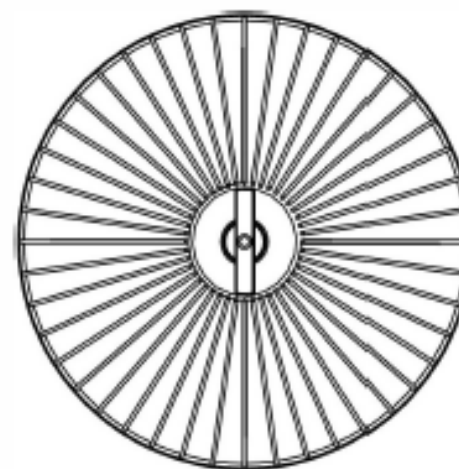
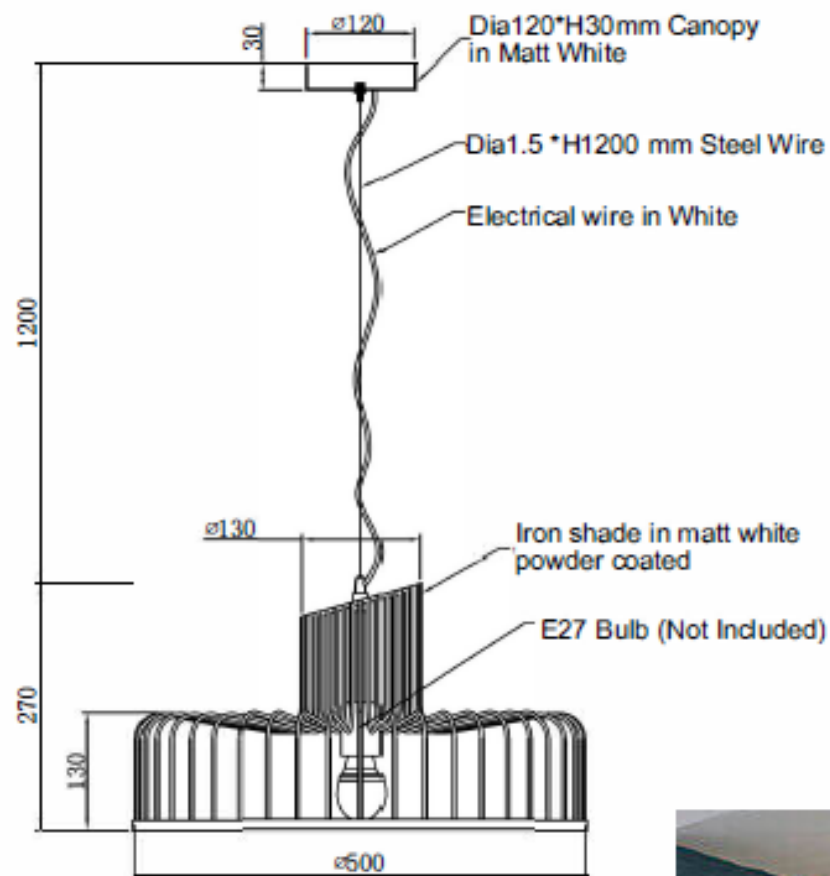
Installation Area:

Customer confirmation:

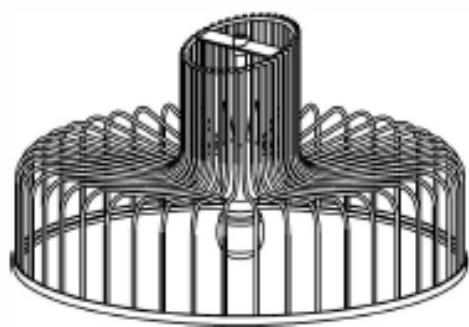
Model No.:	
Fixture Type:	
Dimension:	
Finishing:	
Weight:	
Quantity:	
Light Source:	
Standard:	

Drawn by:	
Checked by:	
Proportion:	
Date:	Oct.19, 2017

Length Unit:	MM
--------------	----



Top view



Front view



Reference photo