

Image Projection:

Lumeplus waterproof projection lights LP series with sharp edges and clear image. LP series waterproof projection light can image patterns on any medium that is not transparent in the way of light. It can realize colorful dynamic effects by rotating patterns and changing colors. LP series waterproof projection luminaires add a beautiful appearance to the architectural landscape. Powerful functional features and protection against harsh outdoor environment can create creative advertisements to attract public attention and achieve the best and most beautiful publicity effect. It is widely used in theme parks, amusement places, comprehensive commercial bodies, commercial squares, buildings, outdoor performances and other places.

Intelligent Multicolor



LP650XCET/XALT
Eidolon Profile 250C

Intelligent White



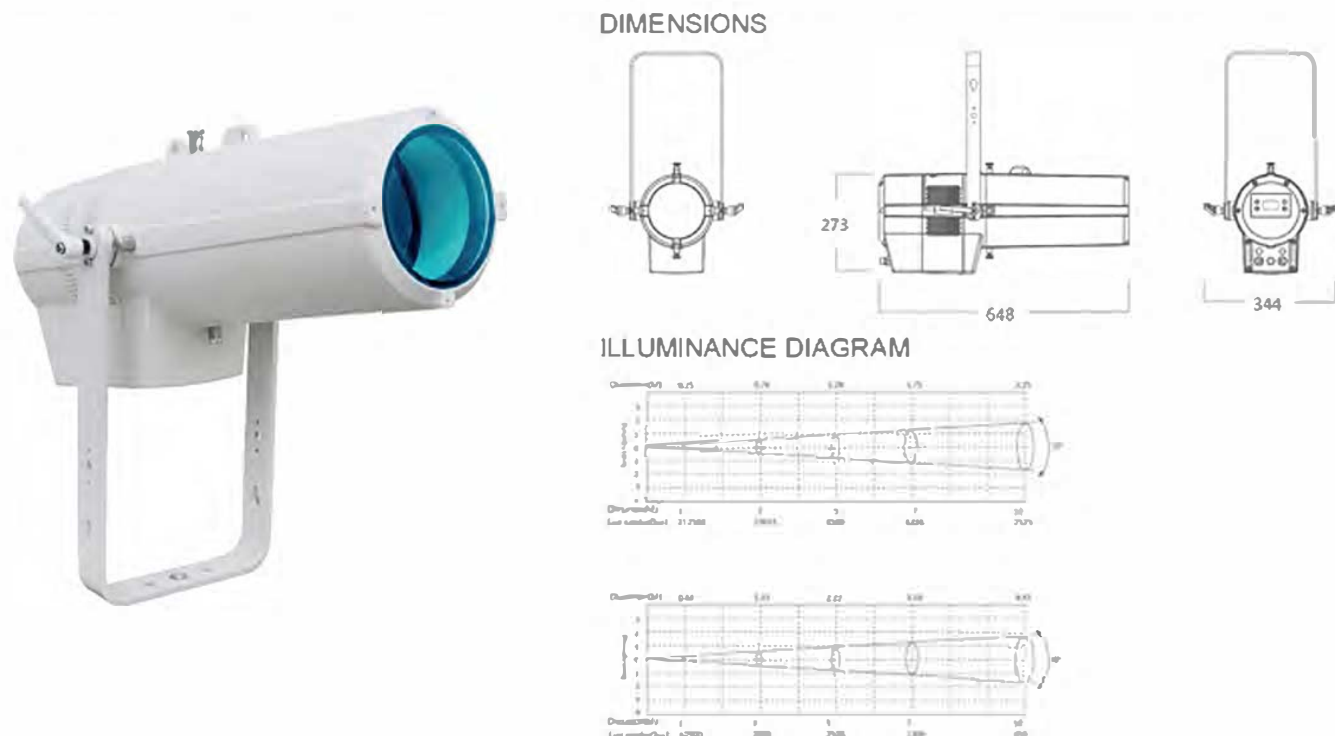
LP650SCT/SWT
Eidolon Profile 250



LP750SCT
Eidolon 350

Eidolon Profile 250 | LP650SCT/ SWT

With CR12 90Ra, LP650SCT/ SWT is an innovative waterproof image projection, optional for pure color temperature 3200 or 5600K. Equipped with high-quality optical system, and intelligent electronic zoom system from 15-30° which can be linearly adjusted for accurate angular positioning, AG650 is uniform in its light spot. The flexible integrated cutting system images the LOGO clearly. The dynamic dimming effect meets the stringent professional lighting requirements. Built-in positive and negative rotation gobo wheels can help to project a variable LOGO image. Waterproof IP65 rating, the product is designed for cultural tourism market, live-action performances, theme parks and other outdoor professional performance venues.



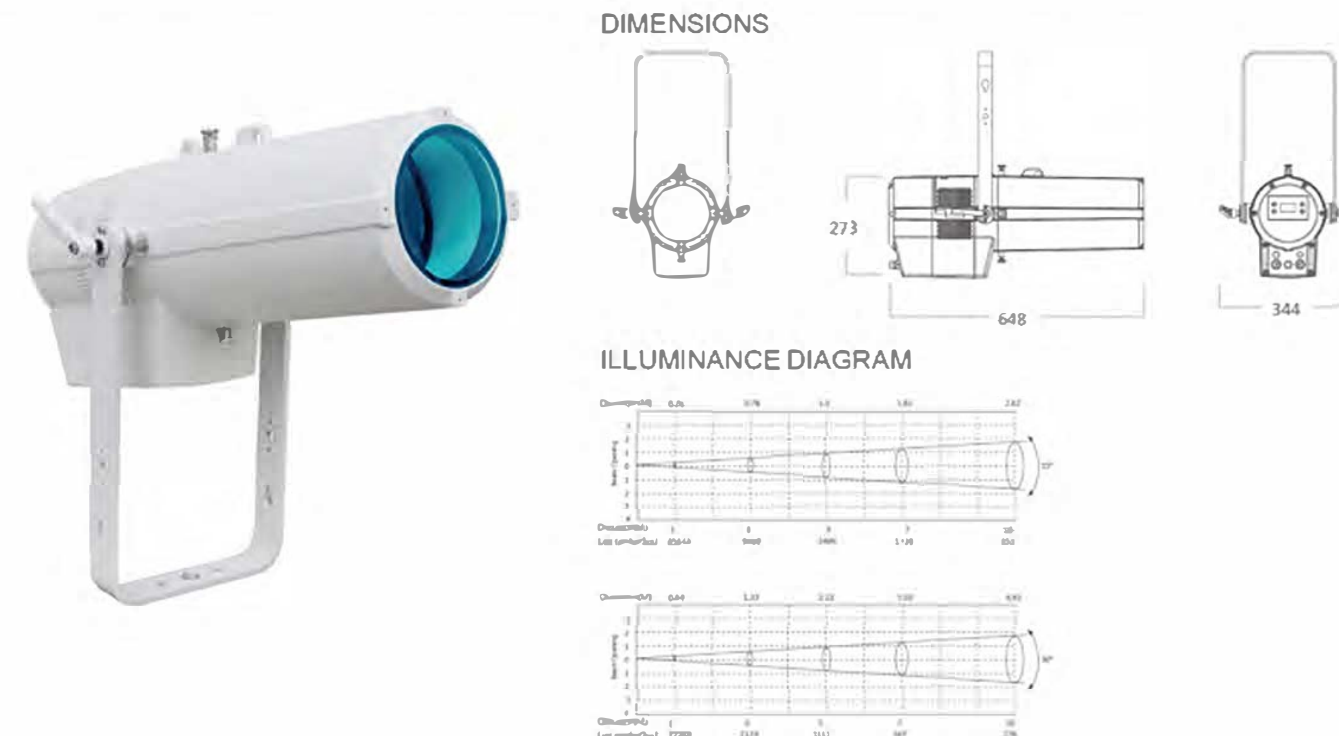
Technical data

Eidolon Profile 250	LP650SCT	LP650SWT
■ Light source	250W cool white	250W warm white
■ Angle	15-30° (electronic zoom)	15-30° (electronic zoom)
■ Input Voltage	AC100~240V	AC100~240V
■ Max. Power	240W	240W
■ Dimmer	0-100%16Bit	0-100%16Bit
■ Cooling	Convection, Internal forced air	Convection, Internal forced air
■ Interface	DMX512, RDM	DMX512, RDM
■ Display	On board Control, 0-25Hz Strobe	Onboard Control, 0-25Hz Strobe
■ Channel	SIMPLE(SCH5), MODE16BIT(7CH5)	SIMPLE(SCH5), MODE16BIT(7CH5)
■ Rotating Gobo	1 Bi-directional rotation	Bi-directional rotation
■ Shutter	4 shutter blades with position and angle adjustment ; Can frame different shape and graphic effect.	
■ Focus	Motorized linear focus	Motorized linear focus
■ Mains connection	3m cable(input only)	3m cable(input only)
■ Data connection	3m cable(input+output)	3m cable(input+output)
■ IP Rated	IP65	IP65
■ Operation temperature	-20~45°C	-20~45°C
■ Housing material	Die-cast aluminium	Die-cast aluminium
■ Housing color	Off-white(Gray, Black Optional)	Off-white(Gray, Black Optional)
■ Dimensions	648x344x273mm	648x344x273mm
■ Weight	16kg	16kg

- Integrated cutting system
- Modular design, easy for maintenance and repair
- RDM bidirectional feedback function
- Intelligent electronic zoom system
- Built-in bi-directional rotation gobo wheel

Eidolon Profile 250C | LP650XALT/XCET

LP650XWT/XALT is an innovative waterproof image projection, variable in full color versions, and precisely adjustable in color temperature 2700K-8000K. With a superior optical system, the light spot is uniform. Equipped with intelligent electronic zoom system from 15-30° which can be linearly adjusted, LP650XWT/XALT can be accurate angular positioning. The flexible integrated cutting system images the LOGO clearly. The dynamic dimming effect meets the stringent professional lighting requirements. Built-in positive and negative rotation gobo wheels can help to project a variable LOGO image. Waterproof IP65 rating, the product is designed for cultural tourism markets, live-action performances, theme parks and other outdoor professional performance venues.



Technical data

Eidolon Profile 250C	LP650XALT	LP650XCET
■ Light source	250W (RGBAL module)	250W (RGBW module)
■ Angle	15-30° (electronic zoom)	15-30° (electronic zoom)
■ Input Voltage	AC100~240V	AC100~240V
■ Max. Power	250W	250W
■ Dimmer	0-100%16Bit	0-100%16Bit
■ Cooling	Convection, Internal forced air	Convection, Internal forced air
■ Interface	DMX512, RDM	DMX512, RDM
■ Display	On board Control, 0-25Hz Strobe	On board Control, 0-25Hz Strobe
■ Channel	HISC(CH8), SIMPLE(CH10), COLOR MOOE 8BIT(CH13) COLOR MOOE 16BIT(CH19)	HISC(CH8), SIMPLE(CH9), COLOR MOOE 8BIT(CH12) COLOR MOOE 16BIT(CH17)
■ Rotating Gobo	1 Bi-directional rotation	1 Bi-directional rotation
■ Shutter	4 shutter blades with position and angle adjustment ; Can frame different shape and graphic effect.	
■ Focus	Motorized linear focus	Motorized linear focus
■ Mains connection	3m cable(input only)	3m cable(input only)
■ Data connection	3m cable(input+output)	3m cable(input+output)
■ IP Rated	IP65	IP65
■ Operation temperature	-20~45°C	-20~45°C
■ Housing material	Die-cast aluminium	Die-cast aluminium
■ Housing color	Off-white(Gray, Black Optional)	Off-white(Gray, Black Optional)
■ Dimensions	648x344x373mm	648x344x373mm
■ Weight	15kg	15kg

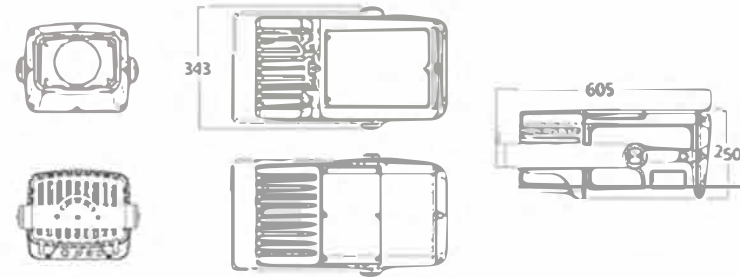
- Integrated cutting system
- Modular design, easy for maintenance and repair
- RDM bidirectional feedback function
- Intelligent electronic zoom system
- Built-in bi-directional rotation gobo wheel

Eidolon 350 | LP750SCT

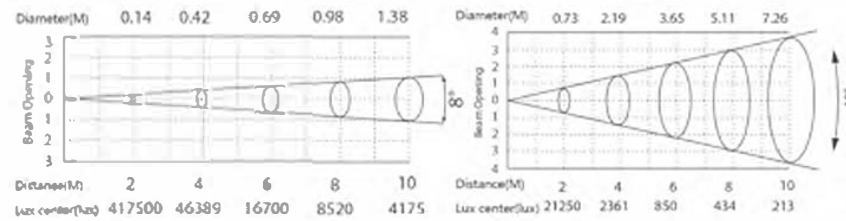
LP750SCT is an innovative waterproof projection lighting under independent research and development, with compact structure and attractive appearance. With pure white color temperature, it is equipped with intelligent zoom electronic system; 8-40° can be linearly adjusted, focusing smoothly and precisely in control. Built-in rotatable Gobo wheel and dynamic effects wheel, prism and other functions. LP750 can achieve a wealth of dynamic pattern simulation effect. Equipped with an excellent optical system, the light spot is uniform with clear-cut margin, and the pattern image is vivid. The product is IP66 waterproof rating, which is widely used in theme parks, playgrounds, commercial complex, commercial plazas, architectural buildings, outdoor performances and other large and medium-sized venues.



DIMENSIONS



ILLUMINANCE DIAGRAM



Technical data

Eidolon 350	LP750SCT
■ Light source	350W (cool white LED module)
■ Angle	8°-40° (electronic zoom)
■ Input Voltage	AC100~240V
■ Max. Power	350W
■ Dimmer	0-100% 16Bit
■ Cooling	Natural Convection
■ Interface	DMX512, RDM
■ Display	On board Control, 0-25Hz Strobe
■ Con personality	STANDARD(20CHS), BASIC(17CHS)
■ Rotating Gobo	7 Gobos+White, Gobo-flow effect, Gobo shake, Bi-directional rotation
■ Colors	One color wheel (7 dichroic-filters+White, Rainbow flow effect)
■ CMY	CMY system, Built-in Macro
■ Animation Wheel	Bi-directional rotation, Speed adjustable
■ Prism	One 3 prism with bi-directional rotation, Speed adjustable
■ Focus	Motorized linear focus
■ Frost	1 Frost filter
■ Mains connection	3m cable (input only)
■ Data connection	3m cable (input+output)
■ IP Rated	IP66
■ Ambient Temperature	-20~45°C
■ Housing material	Die-casting magnesium alloy
■ Housing color	Off-white(Gray, Black Optional)
■ Dimensions	605x343x250mm
■ Weight	23kg

- Intelligent zoom electronic system
- New-type CMY color mixing module
- Modular design, easy for maintenance and repair
- RDM bidirectional feedback function
- Built-in rotatable Gobo wheel, dynamic effects wheel, color wheel, prism, atomizing filter



PROJECT CASES
Beautiful QingDao

Image Projection

Image Projection



Intelligent Multicolor



LP732XCT
TARPON i72 HP
LP732XLET/XAET/XCET
TARPON 72Q PLUS



LP733XCT
TARPON i36 HP
LP733XLET/XAET/XCET
TARPON 36Q PLUS



LP722T/XWT
TARPON i180



LP723T/XWT
TARPON i90

Intelligent White



LP732SCT//SWT/CAT
TARPO 72Q PLUS white/
TARPON 72Q PLUS Dynamic white



LP733SCT//SWT/CAT
TARPON 36Q PLUS white/
TARPON 36Q PLUS Dynamic white



LP722SCT//SWT/CAT
TARPON i180 white/
TARPON i180 Dynamic white



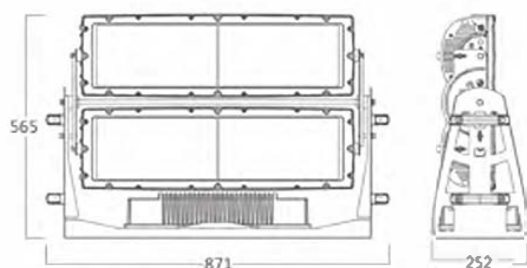
LP723SCT//SWT/CAT
TARPON i90 white/
TARPON i90 Dynamic white

TARPON i72 HP | LP732XCT

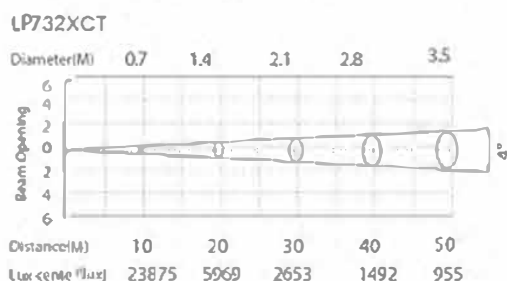
AM732 is the newly developed high-power floodlights after the classic product AM722. With excellent color mixing effect, high color saturation, high light efficiency, high illumination, high performance and stability, it is realizable to achieve the perfect color interpretation and ultra-long light casting distance. Optional wireless DMX512 control, it provides diverse lighting solutions for a variety of large outdoor lighting projects, an ideal lighting fixture for towers, bridges, large venues, integrated commercial building and other large occasions.



DIMENSIONS



ILLUMINANCE DIAGRAM



Technical data

TARPON i72 HP	LP732XCT
Input Voltage	AC100~240V
Max. Power	900W
Power Factor	>0.9
Lumen	23904lm
Peak Intensity	2387473cd(4°)
LED Qty	72pcs (18R+18G+18B+18W)
Optics	4°、10°、20°
DMX control channels	0-100%
Interface	DMX512、RDM
Controllable sections	2
Mains connection	3m cable(input only)
Data connection	3m cable(input+output)
IP Rated	IP66
Operation temperature	-40°C~45°C (operating) -40°C~45°C (startup)
Housing material	Die-cast aluminium
Housing color	Off-white(Gray, Black Optional)
Dimensions	871x252x569mm
Weight	45.3kg

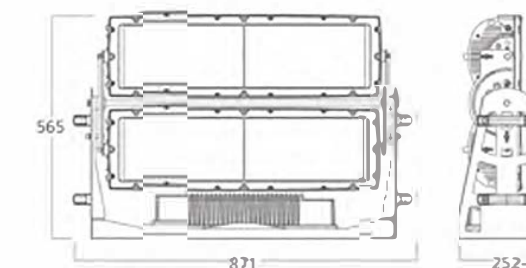
- Multicolor: Extraordinary color mixing effect
- Security: Anti-thunder shock protection design
- Color Consistency System
- 0%-100% 16 Bit dimming
- Rotatable & adjustable base design
- RDM bi-directional feedback

TARPON 72Q PLUS | LP732XLET/XAET/XCET

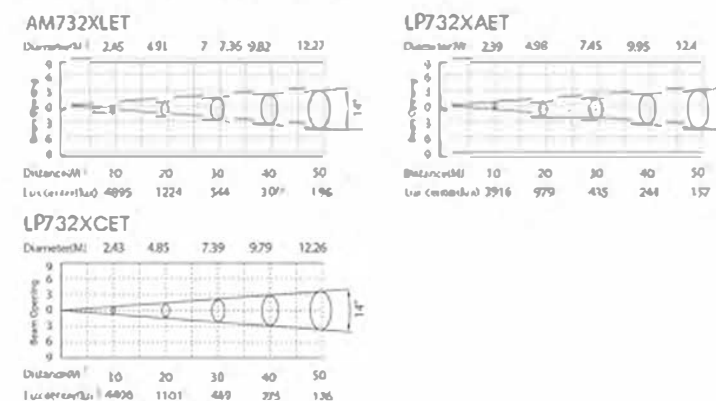
AM732 is the newly developed high-power floodlights after the classic product AM722. With excellent color mixing effect, high color saturation, high light efficiency, high illumination, high performance and stability, it is realizable to achieve the perfect color interpretation and ultra-long light casting distance. Optional wireless DMX512 control, it provides diverse lighting solutions for a variety of large outdoor lighting projects, an ideal lighting fixture for towers, bridges, large venues, integrated commercial building and other large occasions.



DIMENSIONS



ILLUMINANCE DIAGRAM



Technical data

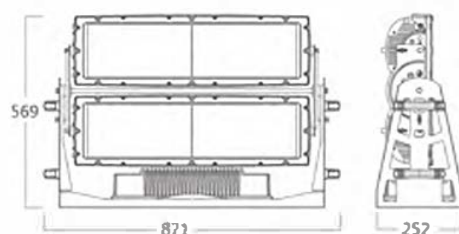
TARPON 72Q PLUS	LP732XLET	LP732XAET	LP732XCET
Input Voltage	AC100~240V	AC100~240V	AC100~240V
Max. Power	900W	900W	900W
Power Factor	>0.9	>0.9	>0.9
Lumen	32775lm	26220lm	29498lm
Peak Intensity	584300cd (14°)	467400cd (14°)	525800cd (14°)
LED Qty	72xMultichip RGBL	72xMultichipRGBA	72xMultichipRGBW
Optics	14°、25°	14°、25°	14°、25°
DMX control channels	0-100%	0-100%	0-100%
Interface	DMX512、RDM	DMX512、RDM	DMX512、RDM
Controllable sections	8	8	8
Mains connection	3m cable(input only)	3m cable(input only)	3m cable(input only)
Data connection	3m cable(input+output)	3m cable(input+output)	3m cable(input+output)
IP Rated	IP66	IP66	IP66
Operation temperature	-40°C~45°C (operating) -40°C~45°C (startup)	-40°C~45°C (operating) -40°C~45°C (startup)	-40°C~45°C (operating) -40°C~45°C (startup)
Housing material	Die-cast aluminium	Die-cast aluminium	Die-cast aluminium
Housing color	Off-white(Gray, Black Optional)	Off-white(Gray, Black Optional)	Off-white(Gray, Black Optional)
Dimensions	871x252x569mm	871x252x569mm	871x252x569mm
Weight	45.3kg	45.3kg	45.3kg

- Multicolor: Extraordinary color mixing effect
- Security: Anti-thunder shock protection design
- Color Consistency System
- 0%-100% 16 Bit dimming
- Rotatable & adjustable base design
- RDM bi-directional feedback

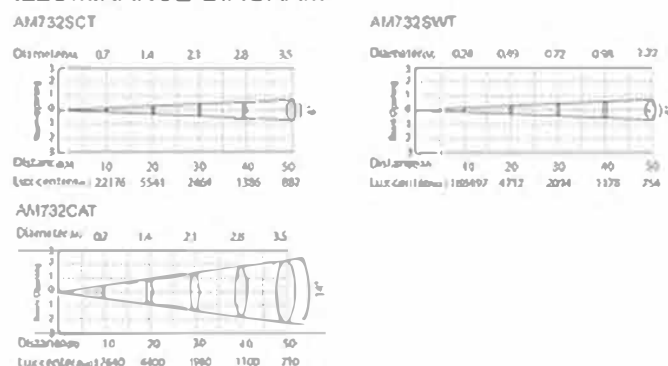
TARPON 72Q PLUS white/Dynamic white | LP732SCT/SWT/CAT

AM732 is the newly developed high-power floodlights after the classic product AM722. With excellent color mixing effect, high color saturation, high light efficiency, high illumination, high performance and stability, it is realizable to achieve the perfect color interpretation and ultra-long light casting distance. Optional wireless DMX512 control, it provides diverse lighting solutions for a variety of large outdoor lighting projects, an ideal lighting fixture for towers, bridges, large venues, integrated commercial building and other large occasions.

DIMENSIONS



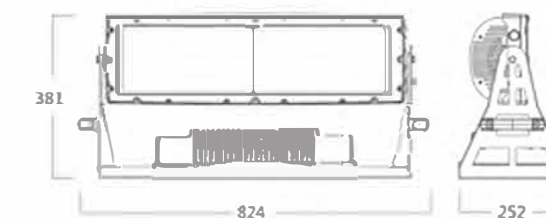
ILLUMINANCE DIAGRAM



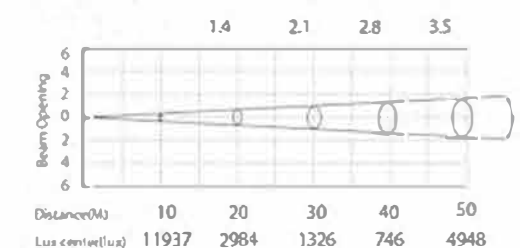
TARPON i36 HP | LP733XCT

AM733 the high-power LED floodlights series, is adopting the efficient optical design, equipped with the industrial structure design, enjoying the advantages of good heat dissipation, stable performance, both with the excellent color mixing effect, low power consumption, high light efficiency, high illumination, etc. An ideal LED fixture for the large-scale outdoor landscape lighting project.

DIMENSIONS



ILLUMINANCE DIAGRAM



Technical data	TARPON 72Q PLUS white	TARPON 726Q PLUS white	TARPON 72Q PLUS Dynamic white
	LP732SCT	LP732SWT	LP732CAT
Input Voltage	AC100~240V	AC100~240V	AC100~240V
Max. Power	700W	700W	700W
Power Factor	> 0.9	> 0.9	> 0.9
Lumen	35621lm	33839lm	27570lm
Peak Intensity	2217600cd (4°)	1884960cd (4°)	1764100cd (4°)
LED Qty	72pcs cool white	72pcs warm white	72pcs cool white+Amber
Optics	4°、10°、20°	4°、10°、20°	14°
DMX control channels	0-100%	0-100%	0-100%
Interface	DMX512、RDM	DMX512、RDM	DMX512、RDM
Controllable sections	1	1	1
Mains connection	3m cable(input only)	3m cable(input only)	3m cable(input only)
Data connection	3m cable(input+output)	3m cable(input+output)	3m cable(input+output)
IP Rated	IP66	IP66	IP66
Operation temperature	-40°C~45°C (operating) -40°C~45°C (startup)	-40°C~45°C (operating) -40°C~45°C (startup)	-40°C~45°C (operating) -40°C~45°C (startup)
Housing material	Die-cast aluminium	Die-cast aluminium	Die-cast aluminium
Housing color	Off-white(Gray, Black Optional)	Off-white(Gray, Black Optional)	Off-white(Gray, Black Optional)
Dimensions	871x252x569mm	871x252x569mm	871x252x569mm
Weight	45.3kg	45.3kg	45.3kg

Technical data	TARPON i36 HP	LP733XCT
Input Voltage	AC100~240V	AC100~240V
Max. Power	450W	450W
Power Factor	>0.9	>0.9
Lumen	12704lm	12704lm
Peak Intensity	1193737cd (4°)	1193737cd (4°)
LED Qty	36pcs (9R+9G+9B+9W)	36pcs (9R+9G+9B+9W)
Optics	4°、10°、20°	4°、10°、20°
DMX control channels	0-100%	0-100%
Interface	DMX512、RDM	DMX512、RDM
Controllable sections	1	1
Mains connection	3m cable(input only)	3m cable(input only)
Data connection	3m cable(input+output)	3m cable(input+output)
IP Rated	IP66	IP66
Operation temperature	-40°C~45°C (operating) -40°C~45°C (startup)	-40°C~45°C (operating) -40°C~45°C (startup)
Housing material	Die-cast aluminium	Die-cast aluminium
Housing color	Off-white(Gray, Black Optional)	Off-white(Gray, Black Optional)
Dimensions	824x252x381mm	824x252x381mm
Weight	31.3kg	31.3kg

- Multicolor: Extraordinary color mixing effect
- Security: Anti-thunder shock protection design
- 0%-100% 16 Bit dimming
- Rotatable & adjustable base design
- Color Consistency System

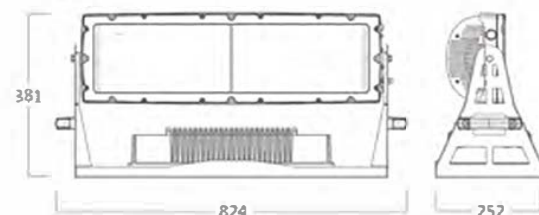
- Multicolor: Extraordinary color mixing effect
- Security: Anti-thunder shock protection design
- Rotatable & adjustable base design
- 0%-100% 16 Bit dimming
- Color Consistency System

TARPON 36Q PLUS | LP733XLET/XAET/XCET

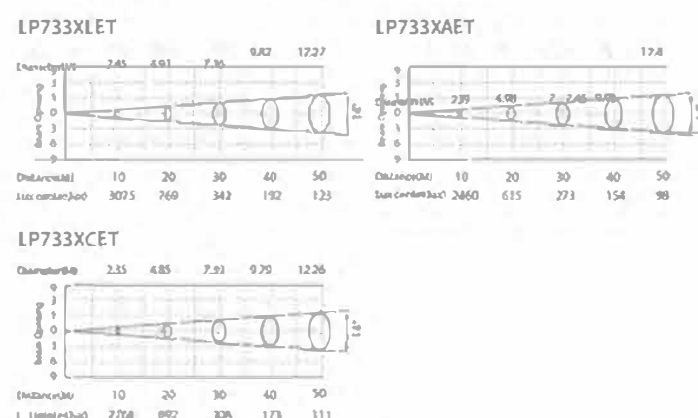
AM733 the high-power LED floodlights series, is adopting the efficient optical design, equipped with the industrial structure design, enjoying the advantages of good heat dissipation, stable performance, both with the excellent color mixing effect, low power consumption, high light efficiency, high illumination, etc. An ideal LED fixture for the large-scale outdoor landscape lighting project.



DIMENSIONS



ILLUMINANCE DIAGRAM



Technical data

TARPON 36Q PLUS	LP733XLET	LP733XAET	LP733XCET
Input Voltage	AC100~240V	AC100~240V	AC100~240V
Max. Power	450W	450W	450W
Power Factor	>0.9	>0.9	>0.9
Lumen	17250lm	13800lm	15525lm
Peak Intensity	30750cd (14°)	24600cd (14°)	276750cd (14°)
LED Qty	36xMultichip (RGBL)	36xMultichip (RGBA)	36xMultichip (RGBW)
Optics	14°、25°	14°、25°	14°、25°
DMX control channels	0-100%	0-100%	0-100%
Interface	DMX512、RDM	DMX512、RDM	DMX512、RDM
Controllable sections	4	4	4
Mains connection	3m cable(input only)	3m cable(input only)	3m cable(input only)
Data connection	3m cable(input+output)	3m cable(input+output)	3m cable(input+output)
IP Rated	IP66	IP66	IP66
Operation temperature	-40°C~45°C (operating) -40°C~45°C (startup)	-40°C~45°C (operating) -40°C~45°C (startup)	-40°C~45°C (operating) -40°C~45°C (startup)
Housing material	Die-cast aluminium	Die-cast aluminium	Die-cast aluminium
Housing color	Off-white(Gray, Black Optional)	Off-white(Gray, Black Optional)	Off-white(Gray, Black Optional)
Dimensions	824x252x381mm	824x252x381mm	824x252x381mm
Weight	31.3kg	31.3kg	31.3kg

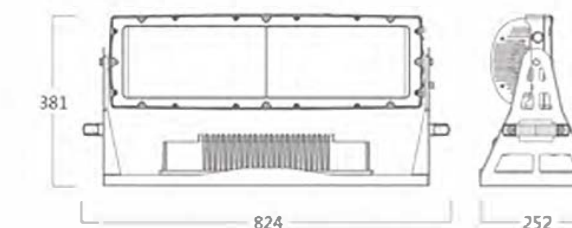
- Multicolor: Extraordinary color mixing effect
- Security: Anti-thunder shock protection design
- Rotatable & adjustable base design
- 0%-100% 16 Bit dimming
- Color Consistency System

TARPON 36Q PLUS white/Dynamic white | LP733SCT/SWT/CAT

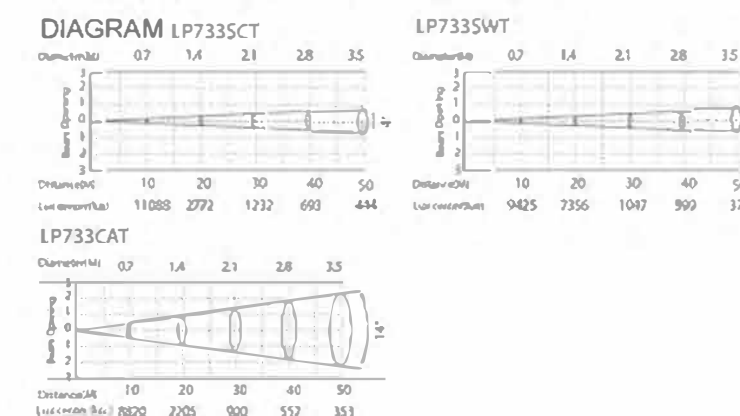
AM732 is the newly developed high-power floodlights after the classic product AM722. With excellent color mixing effect, high color saturation, high light efficiency, high illumination, high performance and stability, it is realizable to achieve the perfect color interpretation and ultra-long light casting distance. Optional wireless DMX512 control, it provides diverse lighting solutions for a variety of large outdoor lighting projects, an ideal lighting fixture for towers, bridges, large venues, integrated commercial building and other large occasions.



DIMENSIONS



ILLUMINANCE DIAGRAM



Technical data

	TARPON 36Q PLUS white LP733SCT	TARPON 36Q PLUS white LP733SWT	TARPON 36Q PLUS Dynamic white LP733CAT
Input Voltage	AC100~240V	AC100~240V	AC100~240V
Max. Power	350W	350W	350W
Power Factor	>0.9	>0.9	>0.9
Lumen	17811lm	16920lm	13785lm
Peak Intensity	11880cd (4°)	942480cd (7°)	882050cd (7°)
LED Qty	36pcs cool white	36pcs warm white	36pcs cool white+Amber
Optics	4°、10°、20°	4°、10°、20°	14°
DMX control channels	0-100%	0-100%	0-100%
Interface	DMX512、RDM	DMX512、RDM	DMX512、RDM
Controllable sections	1	1	1
Mains connection	3m cable(input only)	3m cable(input only)	3m cable(input only)
Data connection	3m cable(input+output)	3m cable(input+output)	3m cable(input+output)
IP Rated	IP66	IP66	IP66
Operation temperature	-40°C~45°C (operating) -40°C~45°C (startup)	-40°C~45°C (operating) -40°C~45°C (startup)	-40°C~45°C (operating) -40°C~45°C (startup)
Housing material	Die-cast aluminium	Die-cast aluminium	Die-cast aluminium
Housing color	Off-white(Gray, Black Optional)	Off-white(Gray, Black Optional)	Off-white(Gray, Black Optional)
Dimensions	824x252x381mm	824x252x381mm	824x252x381mm
Weight	31.3kg	31.3kg	31.3kg

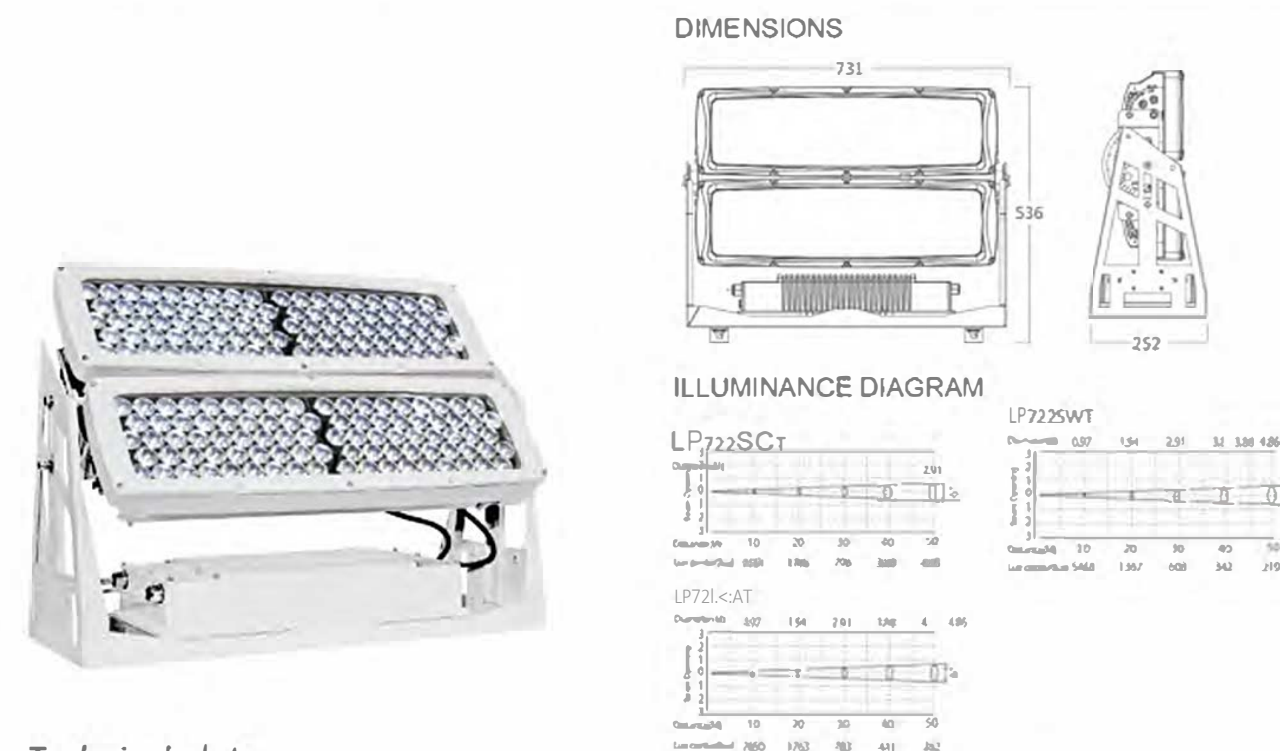
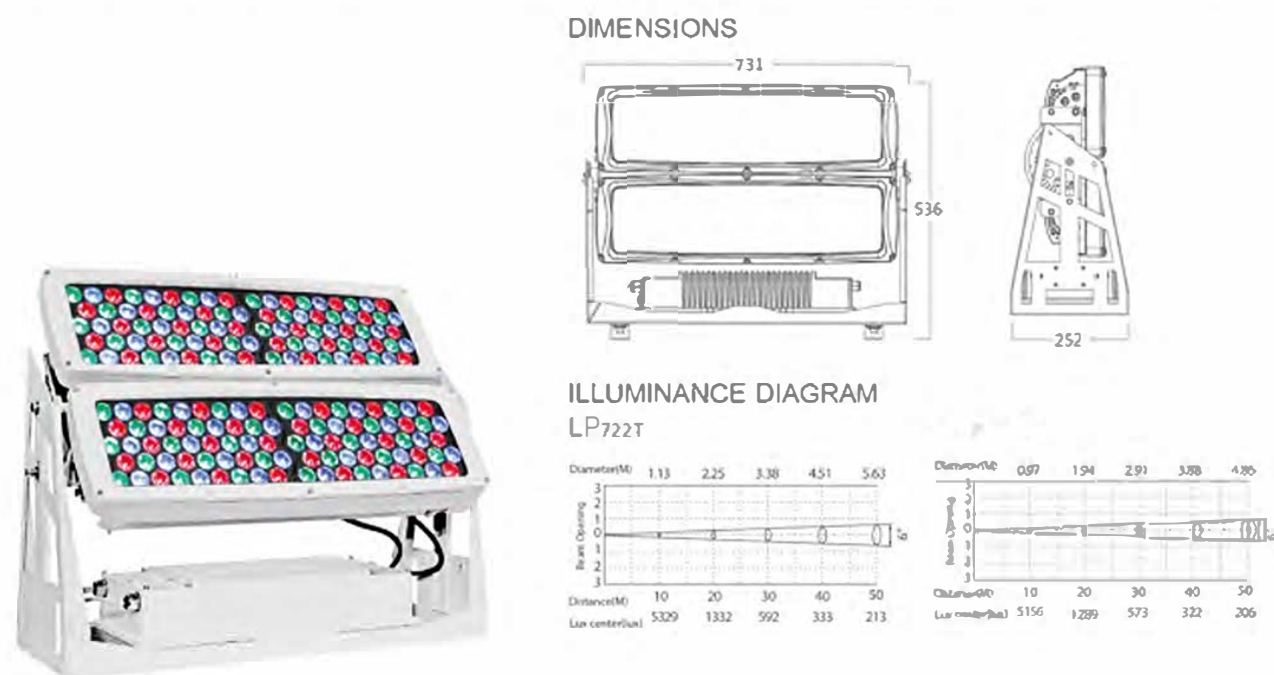
- Multicolor: Extraordinary color mixing effect
- Security: Anti-thunder shock protection design
- 0%-100% 16 Bit dimming
- Rotatable & adjustable base design
- Color Consistency System

TARPON i180 | LP722T/XWT

TARPON i180 series is the first Lumeplus LED flood lights designed to replace the high-power metal halide lamp. Through excellent application for many years, the fixture has become the well-known products in the industry. Continuous improvement and upgrade makes the product low power consumption, high lighting effect, and high brightness. Optional for RGB / RGBW, a variety of optics beam angles, and equipped with industry-standard wireless receiver card, TARPON series offer a variety of lighting solutions for all kinds of large outdoor lighting projects.

TARPON i180 white / i180 Dynamic white | LP722SCT /SWT/CAT

TARPON i180 series is the first Lumeplus LED flood lights designed to replace the high power metal halide lamp. Through excellent application for many years, the fixture has become the well-known products in the industry. Continuous improvement and upgrade makes the product low power consumption, high lighting effect, and high brightness. Optional for warm white & cool white LED chips, a variety of optics beam angles, and equipped with industry-standard wireless receiver card, TARPON series offer a variety of lighting solutions for all kinds of large outdoor lighting projects



Technical data

TARPON i180	LP722T	LP722XWT
■ Input Voltage	AC 100~240V	AC 100~240V
■ Max. Power	520W	520W
■ Power Factor	>0.9	>0.9
■ Lumen	18200lm	19300lm
■ Peak Intensity	533917cd (6°)	519915cd (6°)
■ LED Qty	180pcs (60R+60G+60B)	180pcs(48R+48G+48B+36W)
■ Optics	6° (12°, 25°, 45°, 40x12°)	6° (12°, 25°, 45°, 40x12°)
■ DMX control channels	RGB0-100%	RGBW 0-100%
■ Interface	DMX512、RDM	DMX512、RDM
■ Controllable sections	2	2
■ Mains connection	3m cable(input only)	3m cable(input only)
■ Data connection	3m cable(input+output)	3m cable(input+output)
■ IP Rated	IP66	IP66
■ Operation temperature	-40°C~45°C (operating) -40°C~45°C (startup)	-40°C~45°C (operating) -40°C~45°C (startup)
■ Housing material	Die-cast aluminium	Die-cast aluminium
■ Housing color	Off-white(Gray, Black Optional)	Off-white(Gray, Black Optional)
■ Dimensions	731x252x536mm	731x252x536mm
■ Weight	40kg	40kg

- Multicolor: Extraordinary color mixing effect
- Security: Anti-thunder shock protection design
- Rotatable & adjustable base design
- Intelligent white: Optional for 2700K-8000K color temperature
- 0%-100% 16 Bit dimming

Technical data

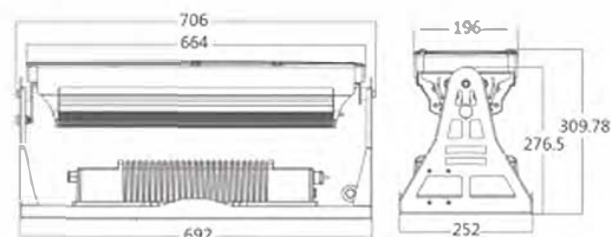
	TARPON i180 white LP722SCT	TARPON i180 white LP722SWT	TARPON i180 Dynamic white LP722CAT
■ Input Voltage	AC 100~240V	AC 100~240V	AC 100~240V
■ Max. Power	460W	460W	520W
■ Power Factor	>0.9	>0.9	>0.9
■ Lumen	25561lm	22300lm	26500lm
■ Peak Intensity	718485cd (6°)	546839cd (6°)	705000cd (6°)
■ LED Qty	180pcs cool white	180pcs warm white	180pcs Amber + Cool white
■ Optics	6° (12°, 25°, 45°, 40x12°)	6° (12°, 25°, 45°, 40x12°)	6° (12°, 25°, 45°, 40x12°)
■ DMX control channels	0-100%	0-100%	0-100%
■ Interface	DMX512	DMX512	DMX512
■ Controllable sections	1	1	1
■ Mains connection	3m cable(input only)	3m cable(input only)	3m cable(input only)
■ Data connection	3m cable(input+output)	3m cable(input+output)	3m cable(input+output)
■ IP Rated	IP66	IP66	IP66
■ Operation temperature	-40°C~45°C (operating) -40°C~45°C (startup)	-40°C~45°C (operating) -40°C~45°C (startup)	-40°C~45°C (operating) -40°C~45°C (startup)
■ Housing material	Die-cast aluminium	Die-cast aluminium	Die-cast aluminium
■ Housing color	Off-white(Gray, Black Optional)	Off-white(Gray, Black Optional)	Off-white(Gray, Black Optional)
■ Dimensions	731x252x536mm	731x252x536mm	731x252x536mm
■ Weight	40kg	40kg	40kg

- Multicolor: Extraordinary color mixing effect
- Security: Anti-thunder shock protection design
- Rotatable & adjustable base design
- Intelligent white: Optional for 2700K-8000K color temperature
- 0%-100% 16 Bit dimming

TARPON i90 | LP723T/XWT

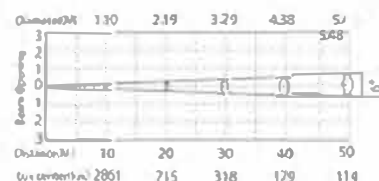
TARPON i90 series is the first high power LED flood light designed to replace the 1200W halogen flood light products. Optional for RGB, RGBW, warm white, cool white, warm white + cool white LED chips, matching with a variety of optical lens, the fixture really provides a environment-friendly, energy-saving and all-round lighting solutions for various kinds of large outdoor lighting engineering.

DIMENSIONS

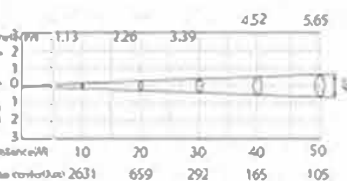


ILLUMINANCE

DIAGRAM LP723T



LP723XWT



Technical data

TARPON i90	LP723T	LP723XWT
Input Voltage	AC100~240V	AC100~240V
Max. Power	260W	260W
Power Factor	>0.9	>0.9
Lumen	9020lm	9500lm
Peak Intensity	286619cd (6°)	261657cd (6°)
LED Qty	90pcs(30R+30G+30B)	90pcs(24R+24G+24B+18W)
Optics	6° (12°, 25°, 45°, 40x12°)	6° (12°, 25°, 45°, 40x12°)
DMX control channels	RGB 0-100% dimming	RGBW 0-100% dimming
Interface	DMX512, RDM	DMX512, RDM
Controllable sections	1	1
Mains connection	3m cable(input only)	3m cable(input only)
Data connection	3m cable(input+output)	3m cable(input+output)
IP Rated	IP66	IP66
Operation temperature	-40°C~45°C (operating) -40°C~45°C (startup)	-40°C~45°C (operating) -40°C~45°C (startup)
Housing material	Die-cast aluminium	Die-cast aluminium
Housing color	Off-white(Gray, Black Optional)	Off-white(Gray, Black Optional)
Dimensions	706x252x310mm	706x252x310mm
Weight	25kg	25kg

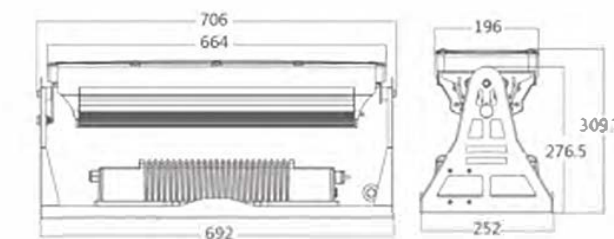
- Multicolor: Extraordinary color mixing effect
- Intelligent white: Optional from 2700K to 8000K color temperature

- Security: Anti-thunder shock protection design
- 0%-100% 16 Bit dimming
- Rotatable & adjustable base design

TARPON i90 white/i90 Dynamic white | LP723SCT/SWT/CAT

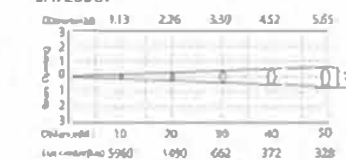
TARPON i90 series is the first high power LED flood light designed to replace the 1200W halogen flood light products. Optional for RGB, RGBW, warm white, cool white, warm white + cool white LED chips, matching with a variety of optical lens, the fixture really provides a environment-friendly, energy-saving and all-round lighting solutions for various kinds of large outdoor lighting engineering.

DIMENSIONS

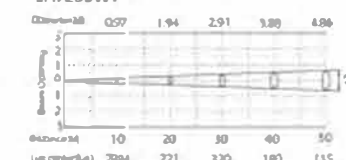


ILLUMINANCE

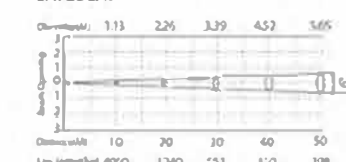
LP723SCT



LP723SWT



LP723CAT



Technical data

	TARPON i90 white LP723SCT	TARPON i90 white LP723SWT	TARPON i90 Dynamic white LP723CAT
Input Voltage	AC100~240V	AC100~240V	AC100~240V
Max. Power	230W	230W	260W
Power Factor	>0.9	>0.9	>0.9
Lumen	14659lm	11080lm	13860lm
Peak Intensity	596073cd (6°)	288427cd (6°)	496025cd (6°)
LED Qty	90pcs cool white	90pcs warm white	90pcs Amber + Cool white
Optics	6° (12°, 25°, 45°, 40x12°)	6° (12°, 25°, 45°, 40x12°)	6° (12°, 25°, 45°, 40x12°)
DMX control channels	0-100% dimming	0-100% dimming	0-100% dimming
Interface	DMX512, RDM	DMX512, RDM	DMX512, RDM
Controllable sections	1	1	1
Mains connection	3m cable(input only)	3m cable(input only)	3m cable(input only)
Data connection	3m cable(input+output)	3m cable(input+output)	3m cable(input+output)
IP Rated	IP66	IP66	IP66
Operation temperature	-40°C~45°C (operating) -40°C~45°C (startup)	-40°C~45°C (operating) -40°C~45°C (startup)	-40°C~45°C (operating) -20°C~45°C (startup)
Housing material	Die-cast aluminium	Die-cast aluminium	Die-cast aluminium
Housing color	Off-white(Gray, Black Optional)	Off-white(Gray, Black Optional)	Off-white(Gray, Black Optional)
Dimensions	706x252x310mm	706x252x310mm	706x252x310mm
Weight	25kg	25kg	25kg

- Multicolor: Extraordinary color mixing effect
- Intelligent white: Optional from 2700K to 8000K color temperature

- Security: Anti-thunder shock protection design
- 0%-100% 16 Bit dimming
- Rotatable & adjustable base design

Spot Light:

Equipped with 16 Bit dimming technology, extreme good color mixing technology, multistage color temperature control for intelligent white, and precise beam angles, the new generation of LED spot light series present the ideal scene lighting effect.

Intelligent Multicolor



LP727XLET/XAET/XCET
QUAKE 12Q



LP724T/XCT
LINX i40



LP724XLET/XAET/XCET
LINX 10Q



LP725T/XCT
LINX i24



LP748XLET/XAET/XCET
PIXI mini

Intelligent White



LP727SCT/SWT/CAT
QUAKE 12Q white



LP724SCT/SWT/CAT
LINX i40 white
LINX i40 Dynamic white



LP725SCT/SWT/CAT
LINX i24 white
LINX i24 Dynamic white



LP748SCT/SWT/CAT
PIXI mini white

Intelligent Multicolor

Intelligent White

Intelligent Multicolor

Intelligent White



LP751XLET/XAET/XCET
PIXI 2Q



LP745SCT/SWT/CAT
PIXI i12 white
LINX i12 Dynamic white



LP746XLET/XAET/XCET
PIXI 7Q



LP752XLET/XAET/XCET
PIXI 9Q



LP745T/XCT
PIXI i12



LP747T
PIXI i54



LP747SCT/SWT/CAT
PIXI i54 white
PIXI i54 Dynamic white



LP745XLET/XAET/XCET
PIXI 4Q



LP747XLET/XAET/XCET
PIXI 14Q



LP744SWT/SCT/CAT
PIXI i18/ Dynamic white



LP744T
PIXI i18



LP749XCT
PIXI i24 HP



LP749SCT/SWT/CAT
PIXI i24 HP white
PIXI i24 HP Dynamic white



LP746T/XCT
PIXI i36



LP746SCT/SWT/CAT
PIXI i36 white
PIXI i36 Dynamic white



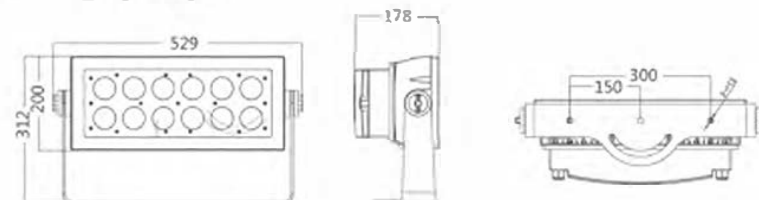
LP749XLET/XAET/XCET
PIXI 24Q

QUAKE 12Q | LP727XLET/XAET/XCET

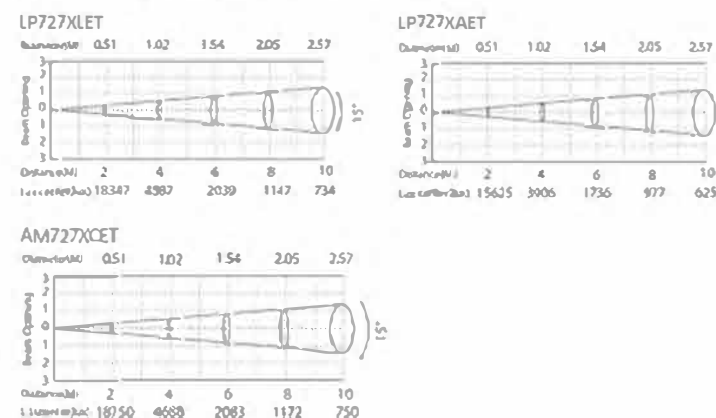
QUAKE 12Q adopts new quad LED chips, inserted with smart temperature control system, performing high color saturation, and outstanding color mixing. Employing creative digital lighting dimming technology, and flexible segment control system, the fixture makes the building to present artistic lighting effect. Equipped with advanced RDM function, the LED fixture can provide the real-time feedback for malfunction and its working status, reducing the costs for troubleshooting and maintenance.



DIMENSIONS



ILLUMINANCE DIAGRAM



Technical data

QUAKE 12Q	LP727XLET	LP727XAET	LP727XCET
Input Voltage	AC100~240V	AC100~240V	AC100~240V
Max. Power	180W	180W	180W
Power Factor	>0.9	>0.9	>0.9
Lumen	6300lm	5200lm	5600lm
Peak Intensity	75000cd(15°)	62500cd(15°)	70000cd(15°)
LED Qty	12xMultichip RGBL	12xMultichip RGBA	12xMultichip RGBW
Optics	15°	15°	15°
DMX control channels	0-100%	0-100%	0-100%
Interface	DMX512, RDM	DMX512, RDM	DMX512, RDM
Controllable sections	3	3	3
Mains connection	3m cable(input only)	3m cable(input only)	3m cable(input only)
Data connection	3m cable(input+output)	3m cable(input+output)	3m cable(input+output)
IP Rated	IP66	IP66	IP66
Operation temperature	-40°C~45°C (operating) -20°C~45°C (startup)	-40°C~45°C (operating) -20°C~45°C (startup)	-40°C~45°C (operating) -20°C~45°C (startup)
Housing material	Die-cast aluminium	Die-cast aluminium	Die-cast aluminium
Housing color	Off-white(Gray, Black Optional)	Off-white(Gray, Black Optional)	Off-white(Gray, Black Optional)
Dimensions	530x200x313mm	530x200x313mm	530x200x313mm
Weight	12kg	12kg	12kg

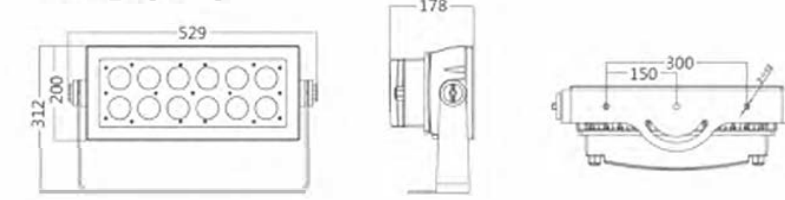
- 0%-100% 16 bit dimming technology
- Section control
- RDM bidirectional feedback function

QUAKE 12Q white | LP727SCT/SWT/CAT

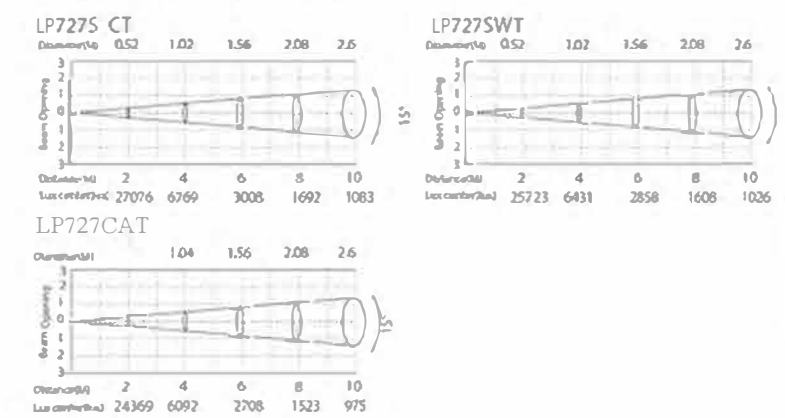
QUAKE 12Q white adopts new quad LED chips, inserted with smart temperature control system, performing high color saturation, outstanding color mixing. Employing creative digital lighting dimming technology, and flexible segment control system, the fixture makes the building show more artistic light effect. Equipped with advanced RDM function, the LED fixture can provide the real-time feedback for malfunction and its working status, reducing cost for troubleshooting and maintenance.



DIMENSIONS



ILLUMINANCE DIAGRAM



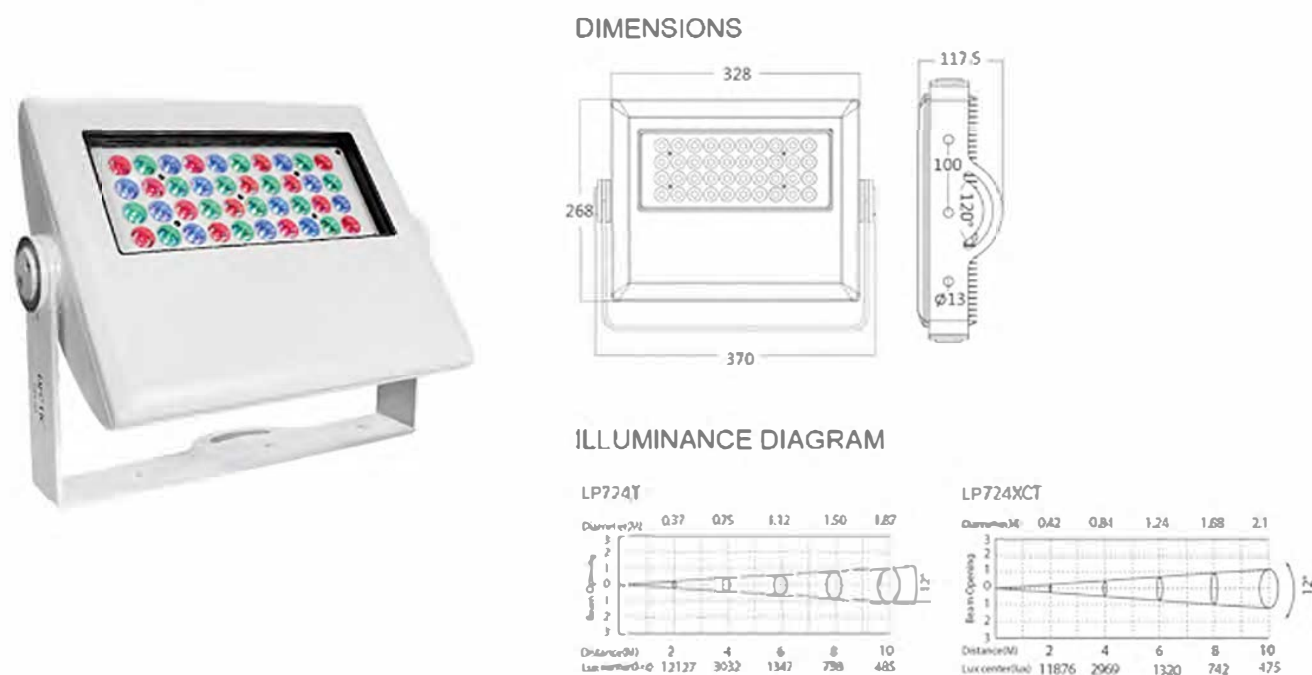
Technical data

QUAKE 12 white	LP727SCT	LP727SWT	LP727CAT
Input Voltage	AC100~240V	AC100~240V	AC100~240V
Max. Power	180W	180W	180w
Power Factor	>0.9	>0.9	>0.9
Lumen	9856lm	8800lm	8870lm
Peak Intensity	108306cd(15°)	117500cd	97475cd(15°)
LED Qty	12pcs(cool white)	12pcs(warm white)	12pcs(Amber+Cool white)
Optics	15°	15°	15°
DMX control channels	0-100%	0-100%	0-100%
Interface	DMX512, RDM	DMX512, RDM	DMX512, RDM
Controllable sections	1	1	1
Mains connection	3m cable(input only)	3m cable(input only)	3m cable(input only)
Data connection	3m cable(input+output)	3m cable(input+output)	3m cable(input+output)
IP Rated	IP66	IP66	IP66
Operation temperature	-40°C~45°C (operating) -20°C~45°C (startup)	-40°C~45°C (operating) -20°C~45°C (startup)	-40°C~45°C (operating) -20°C~45°C (startup)
Housing material	Die-cast aluminium	Die-cast aluminium	Die-cast aluminium
Housing color	Off-white(Gray, Black Optional)	Off-white(Gray, Black Optional)	Off-white(Gray, Black Optional)
Dimensions	530x200x313mm	530x200x313mm	530x200x313mm
Weight	12kg	12kg	12kg

- 0%-100% 16 bit dimming technology
- Section control
- RDM bidirectional feedback function

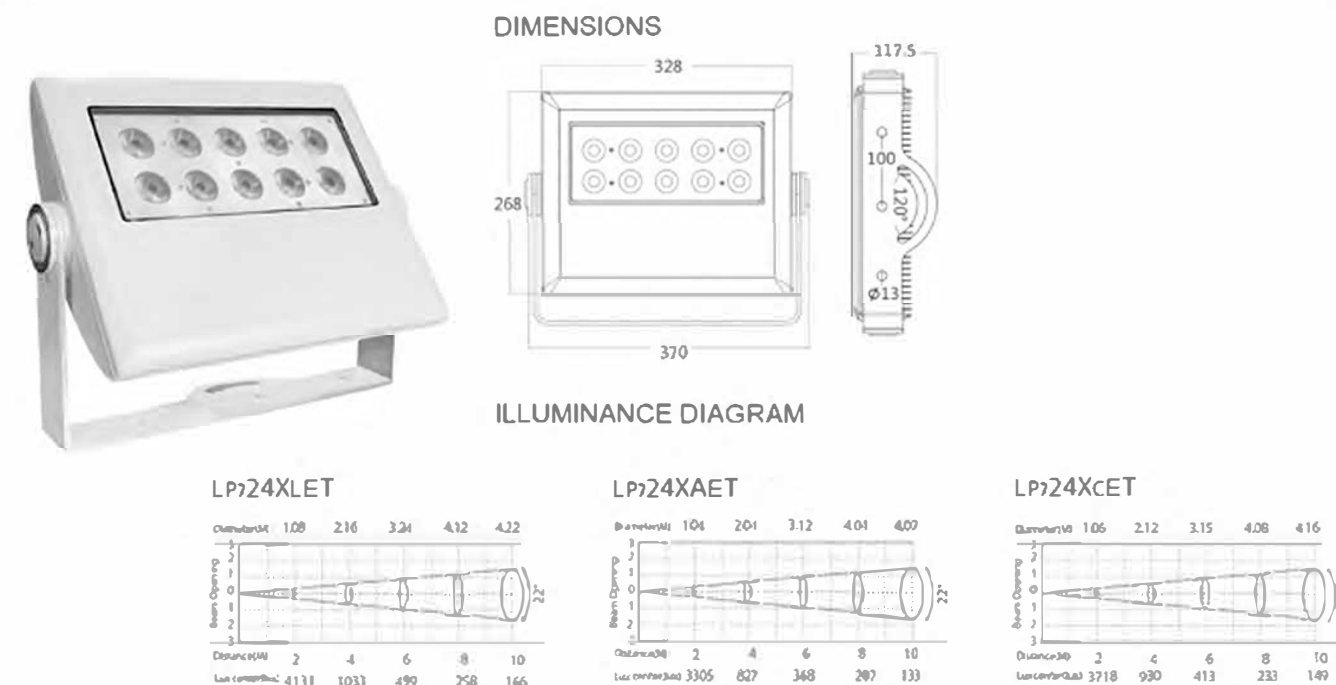
LINX i40 | LP724T/XCT

LINX i40 AM724 series are the kinds of compact, powerful LED wall washers, suitable for building facades, tower lighting application and so on. Built-in power supply and driver, it is easy for installation and maintenance. Using the most advanced LED technology and superior optical design, the LINX i40 is a superior performance LED lighting products.



LINX 10Q | LP724XLET/XAET/XCET

LINX 10Q AM724 series are the kinds of compact, powerful LED wall washers, suitable for building facades, tower lighting application and so on. Built-in power supply and driver, it is easy for installation and maintenance. Using the most advanced LED technology and superior optical design, the LINX 10Q is a superior performance LED lighting products.



Technical data

LINX i40	LP724T	LP724XCT
■ Input Voltage	AC100~240V	AC100~240V
■ Max. Power	115W	115w
■ Power Factor	>0.9	>0.9
■ Lumen	3973lm	2898lm
■ Peak Intensity	48100cd (12°)	47505cd(12°)
■ LED Qty	40pcs(14R+14G+12B)	40pcs(11R+12G+10B+7w)
■ Optics	12° (5°, 25°, 45°)	12° (5°, 25°, 45°)
■ DMX control channels	0-100%	0-100%
■ Interface	DMX512, RDM	DMX512, RDM
■ Controllable sections	1	1
■ Mains connection	3m cable(input only)	3m cable(input only)
■ Data connection	3m cable(input+output)	3m cable(input+output)
■ IP Rated	IP67	IP67
■ Operation temperature	-40°C~45°C (operating) -20°C~45°C (startup)	-40°C~45°C (operating) -20°C~45°C (startup)
■ Housing material	Die-cast aluminium	Die-cast aluminium
■ Housing color	Off-white(Gray, Black Optional)	Off-white(Gray, Black Optional)
■ Dimensions	370x118x307mm	370x118x307mm
■ Weight	8.5kg	8.5kg

- Multicolor: Excellent color mixing
- Intelligent white: 2700K-8000K color temperature optional
- Security: Anti-thunder shock protection design
- Rotatable and adjustable base design

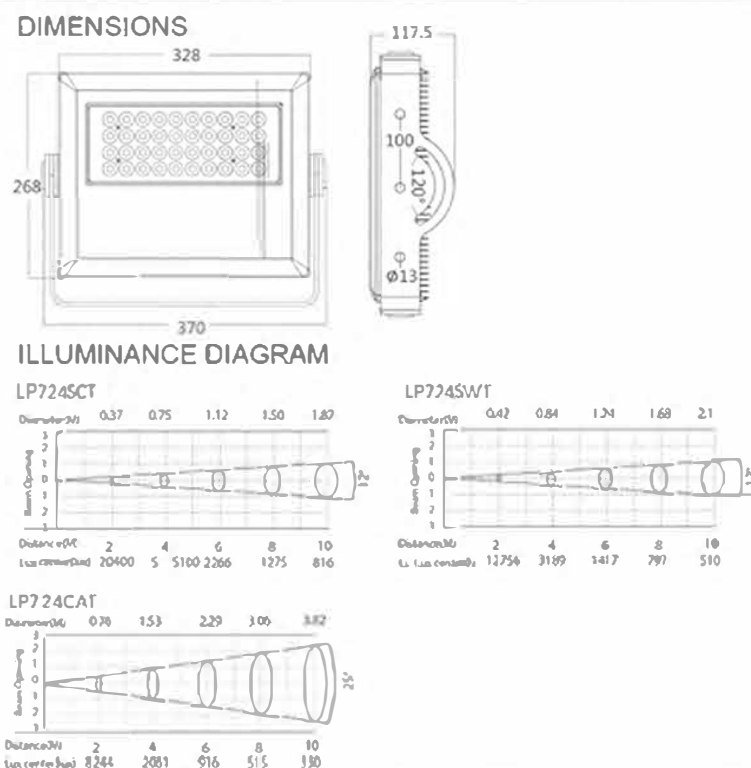
Technical data

LINX 10Q	LP724XLET	LP724XAET	LP724XCET
■ Input Voltage	AC100~240V	AC100~240V	AC100~240V
■ Max.Power	110W	110W	110W
■ Power Factor	>0.9	>0.9	>0.9
■ Lumen	3487lm	2782lm	3138lm
■ Peak Intensity	16523cd (22°)	13219cd (22°)	14871cd (22°)
■ LED Qty	10xMultichip RGBL	10xMultichip RGBA	10xMultichip RGBW
■ Optics	22°	22°	22°
■ DMX control channels	0-100%	0-100%	0-100%
■ Interface	DMX512, RDM	DMX512, RDM	DMX512, RDM
■ Controllable sections	1	1	1
■ Mains connection	3m(input only)	3m(input only)	3m(input only)
■ Data connection	3m(input+output)	3m(input+output)	3m(input+output)
■ IP Rated	IP67	IP67	IP67
■ Operation temperature	-40°C~45°C (operating) -20°C~45°C (startup)	-40°C~45°C (operating) -20°C~45°C (startup)	-40°C~45°C (operating) -20°C~45°C (startup)
■ Housing material	Die-cast aluminium	Die-cast aluminium	Diecast aluminium
■ Housing color	Off-white(Gray, Black Optional)	Off-white(Gray, Black Optional)	Off-white(Gray, Black Optional)
■ Dimensions	370x118x307mm	370x118x307mm	370x118x307mm
■ Weight	8.5kg	8.5kg	8.5kg

- 0%-100% 16 Bit dimming technology
- Special protection design for anti-thunder shock and static
- RDM bidirectional feedback function
- Rotatable and adjustable base design

LINX i40 white / i40 Dynamic white | LP724SCT/SWT/CAT

LINX i40 LP724 series are the kinds of compact, powerful LED wall washers, suitable for building facades, tower lighting application and so on. Built-in power supply and driver, it is easy for installation and maintenance. Using the most advanced LED technology and superior optical design, the LINX i40 is a superior performance LED lighting products.



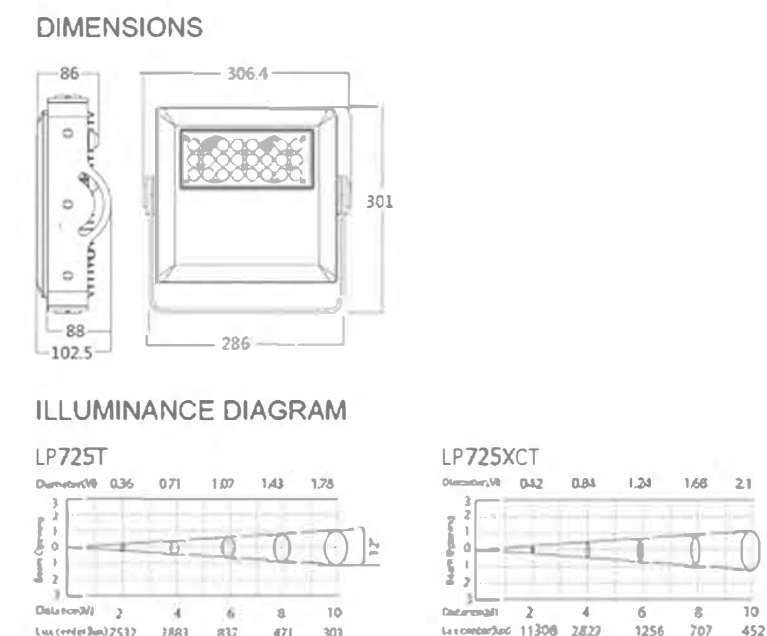
Technical data

	LINX i40 white	LINX i40 white	LINX i40 Dynamic white
	LP724SCT	LP724SWT	LP724CAT
■ Input Voltage	AC100~240V	AC100~240V	AC100~240V
■ Max. Power	115W	115W	115W
■ Power Factor	>0.9	>0.9	>0.9
■ Lumen	5100lm	5080lm	4800lm
■ Peak Intensity	83608cd (12°)	51022cd (12°)	32975cd (25°)
■ LED Qty	40pcs cool white	40pcs warm white	40pcs Amber + Cool white
■ Optics	12° (5°, 25°, 45°)	12° (5°, 25°, 45°)	25° (5°, 12°, 45°)
■ DMX control channels	0-100%	0-100%	0-100%
■ Interface	DMX512, RDM	DMX512, RDM	DMX512, RDM
■ Controllable sections	1	1	1
■ Mains connection	3m(input only)	3m(input only)	3m(input only)
■ Data connection	3m(input+output)	3m(input+output)	3m(input+output)
■ IP Rated	IP67	IP67	IP67
■ Operation temperature	-40°C~ 45°C(operating) -20°C~ 45°C (startup)	-40°C~ 45°C (operating) -20°C~ 45°C (startup)	-40°C~ 45°C (operating) -20°C~ 45°C (startup)
■ Housing material	Die-cast aluminium	Die-cast aluminium	Die-cast aluminium
■ Housing color	Off-white(Gray, Black Optional)	Off-white(Gray, Black Optional)	Off-white(Gray, Black Optional)
■ Dimensions	370x118x307mm	370x118x307mm	370x118x307mm
■ Weight	8.5kg	8.5kg	8.5kg

- Multicolor: Excellent color mixing
- Intelligent white: 2700K-8000K color temperature optional
- Security: Anti-thunder shock protection design
- Rotatable and adjustable base design

LINX i24 | LP725T/XCT

The LINX i24 LP725 series wall washers, suitable for large building facades, tower lighting and other lighting applications. Integrated design with excellent heat dissipation system, built-in power supply and driver, stylish and simple square shape design, it is the ideal choice for outdoor large building lighting projects.



Technical data

	LINX i24	LP725T	LP725XCT
■ Input Voltage		AC100~277V	AC100~277V
■ Max. Power		70W	70W
■ Power Factor		>0.9	>0.9
■ Lumen		2438lm	2381lm
■ Peak Intensity		30093cd (12°)	45229cd (12°)
■ LED Qty		24pcs(8R+8G+8B)	24pcs(6R+6G+6B+6W)
■ Optics		12° (5°, 25°, 45°)	12°(5°, 25°, 45°)
■ DMX control channels		0-100%	0-100%
■ Interface		DMX512, RDM	DMX512, RDM
■ Controllable sections		1	1
■ Mains connection		3m cable(input only)	3m cable(input only)
■ Data connection		3m cable(input+output)	3m cable(input+output)
■ IP Rated		IP66	IP66
■ Operation temperature		-40°C~45°C (operating) -20°C~45°C (startup)	-40°C~45°C (input only) -20°C~45°C (input+output)
■ Housing material		Die-cast aluminium	Die-cast aluminium
■ Housing color		Off-white(Gray, Black Optional)	Off-white(Gray, Black Optional)
■ Dimensions		307x103x301mm	307x103x301mm
■ Weight		6.6kg	6.6kg

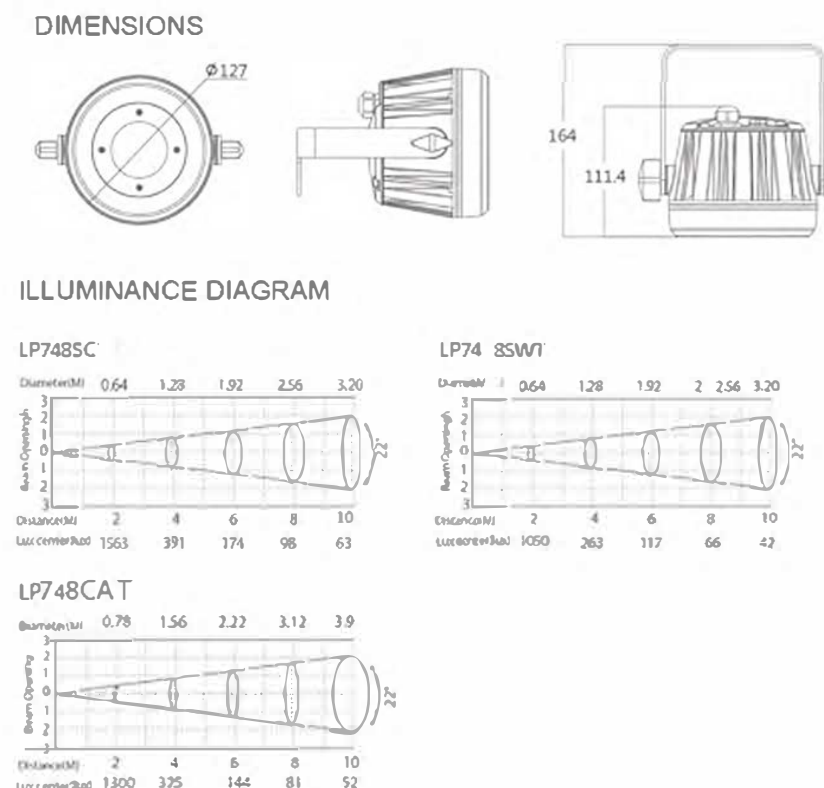
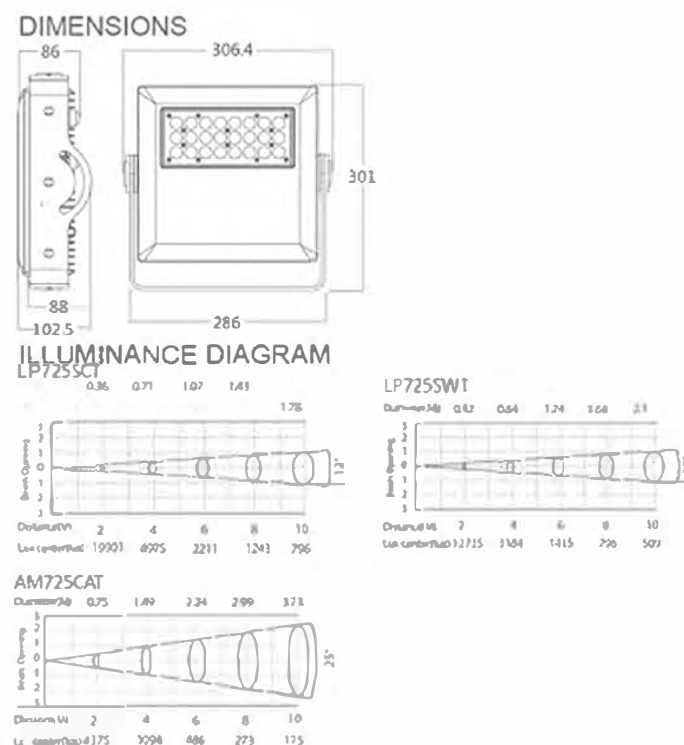
- Multicolor: Excellent color mixing
- Security: Anti-thunder shock protection design
- Rotatable and adjustable base design

LINX i24 white/ i24 Dynamic white | LP725SCT/SWT/CAT

The LINX i24 LP725 series wall washers, suitable for large building facades, tower lighting and other lighting applications. Integrated design with excellent heat dissipation system, built-in power supply and driver, stylish and simple square shape design, it is the ideal choice for outdoor large building lighting projects.

PIXI mini white/ Dynamic white | LP748SCT/SWT/CAT

The new delicate and compact design device PIXI mini, possesses intelligent DMX dimming technology. With one divided into two design for power and signal cables, halfmoon shaped adjustable base, the device is flexible for project installation. Compact and elegant shape guarantees it an exquisite outdoor lighting fixture.



Technical data

	LINX i24 white	LINX i24 white	LINX i24 Dynamic white
	LP725SCT	LP725SWT	LP725CAT
■ Input Voltage	AC100~277V	AC100~277V	AC100~277V
■ Max. Power	70W	70W	70W
■ Power Factor	>0.9	>0.9	>0.9
■ Lumen	4190lm	2900lm	3300lm
■ Peak Intensity	79604 (12°)	50938cd (12°)	17500cd (25°)
■ LED Qty	24pcs coolwhite	24pcs warm white	24pcs Amber + Cool white
■ Optics	12° (5°, 25°, 45°)	12° (5°, 25°, 45°)	25° (5°, 12°, 45°)
■ DMX control channels	0-100%	0-100%	0-100%
■ Interface	DMX512, RDM	DMX512, RDM	DMX512, RDM
■ Controllable sections	1	1	1
■ Mains connection	3m cable(input only)	3m cable(input only)	3m cable(input only)
■ Data connection	3m cable(input+output)	3m cable(input+output)	3m cable(input+output)
■ IP Rated	IP66	IP66	IP66
■ Operation temperature	-40°C~ 45°C (operating) -20°C~ 45°C (startup)	-40°C~ 45°C (operating) -20°C~ 45°C (startup)	-40°C~ 45°C (operating) -20°C~ 45°C (startup)
■ Housing material	Die-cast aluminium	Die-cast aluminium	Die-cast aluminium
■ Housing color	Off-white(Gray, Black Optional)	Off-white(Gray, Black Optional)	Off-white(Gray, Black Optional)
■ Dimensions	307x103x301mm	307x103x301mm	307x103x301mm
■ Weight	6.6kg	6.6kg	6.6kg

- Multicolor: Excellent color mixing
- Intelligent white: 2700K-8000K color temperature optional
- Security: Anti-thunder shock protection design
- Rotatable and adjustable base design

Technical data

	PIXI mini white	PIXI mini white	PIXI mini white
	LP748SCT	LP748SWT	LP748CAT
■ Input Voltage	AC100~240V	AC100~240V	AC100~240V
■ Max. Power	15W	15W	15W
■ Power Factor	>0.9	>0.9	>0.9
■ Lumen	1100lm	1100lm	1100lm
■ Peak Intensity	6200cd (22°)	4200cd (22°)	5200cd (22°)
■ LED Qty	1pcs cool white	1pcs warm white	1pcs cool white+Amber
■ Optics	22°	22°	22°
■ DMX control channels	0-100%	0-100%	0-100%
■ Interface	DMX512, RDM	DMX512, RDM	DMX512, RDM
■ Controllable sections	1	1	1
■ Mains connection	3m cable(input only)	3m cable(input only)	3m cable(input only)
■ Data connection	3m cable(input+output)	3m cable(input+output)	3m cable(input+output)
■ IP Rated	IP67	IP67	IP67
■ Operation temperature	-40°C~45°C (operating) -20°C~45°C (startup)	-40°C~45°C (operating) -20°C~45°C (startup)	-40°C~45°C (operating) -20°C~45°C (startup)
■ Housing material	Die-cast aluminium	Die-cast aluminium	Die-cast aluminium
■ Housing color	Off-white(Gray, Black Optional)	Off-white(Gray, Black Optional)	Off-white(Gray, Black Optional)
■ Dimensions	170x176x164mm	170x176x164mm	170x176x164mm
■ Weight	1.7kg	1.7kg	1.7kg

- Integrated power and signal cable design
- 0%-100%16Bit dimming
- Integrated design with excellent heat dissipation
- AC100-240V wide voltage design

PIXI mini | LP748XLET/XAET/XCET

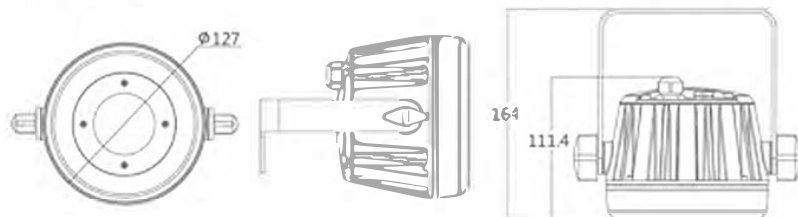
Equipped with single RGBL four-in-one LEDs, the new delicate and compact design device PIXI mini, possesses intelligent DMX dimming technology. Integrated power and DMX signal cable and hand-in-hand wiring layout are designed for easy reliable installation.

PIXI 2Q | LP751XLET/XAET/XCET

Equipped with two RGBL four-in-one LEDs, the new delicate and compact design device PIXI 2Q, possesses intelligent DMX dimming technology. Integrated power and DMX signal cable and hand-in-hand wiring layout are designed for easy reliable installation.

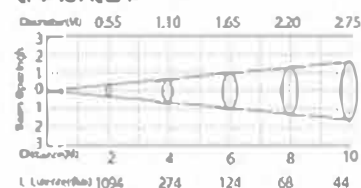


DIMENSIONS

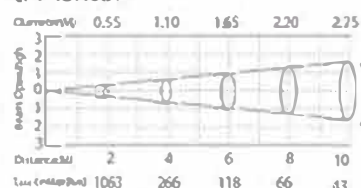


ILLUMINANCE DIAGRAM

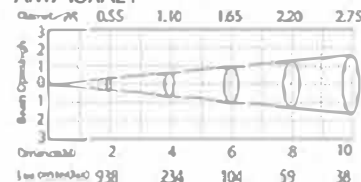
LP748XLET



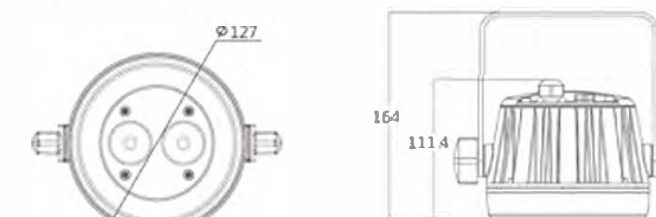
LP748XCET



AM748XAET

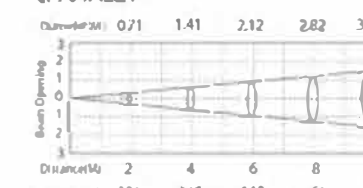


DIMENSIONS

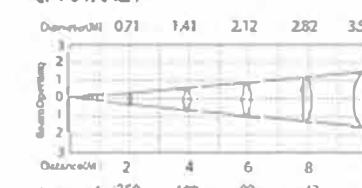


ILLUMINANCE DIAGRAM

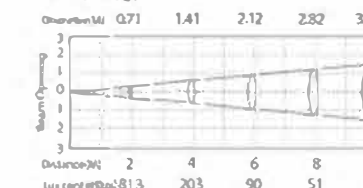
LP751XLET



LP751XAET



AM751XCET



Technical data

PIXI mini	LP748XLET	LP748XAET	LP748XCET
Max. Power	AC100~240V	AC100~240V	AC100~240V
Input Voltage	15W	15W	15W
Power Factor	>0.9	>0.9	>0.9
Lumen	550lm	440lm	470lm
Peak Intensity	4500 cd(14°)	3750cd(14°)	4250 cd(14°)
LED Qty	1xMultichip RGBL	1xMultichip RGBA	1xMultichip RGBW
Optics	14°	14°	14°
DMX control channels	0-100%	0-100%	0-100%
Interface	DMX512, RDM	DMX512, RDM	DMX512, RDM
Controllable sections	1	1	1
Mains connection	3m cable(input only)	3m cable(input only)	3m cable(input only)
Data connection	3m cable(input+output)	3m cable(input+output)	3m cable(input+output)
IP Rated	IP67	IP67	IP67
Operation temperature	-40°C~45°C (operating) -20°C~45°C (startup)	-40°C~45°C (operating) -20°C~45°C (startup)	-40°C~45°C (operating) -20°C~45°C (startup)
Housing material	Die-cast aluminium	Die-cast aluminium	Die-cast aluminium
Housing color	Off-white(Gray, Black Optional)	Off-white(Gray, Black Optional)	Off-white(Gray, Black Optional)
Dimensions	170x176x164mm	170x176x164mm	170x176x164mm
Weight	1.7kg	1.7kg	1.7kg

- Single four-in-one LEDs, brilliant color mixing
- RDM bidirectional feedback function
- AC 200-277V wide voltage design
- Exquisitely fine shape
- 0-100% 16Bit dimming technology

Technical data

PIXI 2Q	LP751XLET	LP751XAET	LP751XCET
Input Voltage	AC100~240V	AC100~240V	AC100~240V
Max. Power	25W	25W	25W
Power Factor	>0.9	>0.9	>0.9
Lumen	840lm	750lm	800lm
Peak Intensity	3925cd (20°)	3000cd (20°)	3250cd (20°)
LED Qty	2xMultichip RGBL	2xMultichip RGBA	2xMultichip RGBW
Optics	22°	22°	22°
DMX control channels	0-100%	0-100%	0-100%
Interface	DMX512, RDM	DMX512, RDM	DMX512, RDM
Controllable sections	1	1	1
Mains connection	3m cable(input only)	3m cable(input only)	3m cable(input only)
Data connection	3m cable(input+output)	3m cable(input+output)	3m cable(input+output)
IP Rated	IP66	IP66	IP66
Operation temperature	-40°C~45°C (operating) -20°C~45°C (startup)	-40°C~45°C (operating) -20°C~45°C (startup)	-40°C~45°C (operating) -20°C~45°C (startup)
Housing material	Die-cast aluminium	Die-cast aluminium	Die-cast aluminium
Housing color	Off-white(Gray, Black Optional)	Off-white(Gray, Black Optional)	Off-white(Gray, Black Optional)
Dimensions	170x176x164mm	170x176x164mm	170x176x164mm
Weight	1.7kg	1.7kg	1.7kg

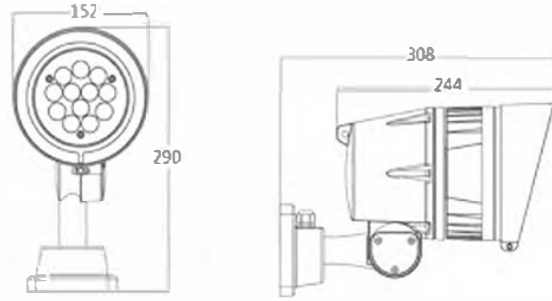
- Four-in-one LEDs, brilliant color mixing
- RDM bidirectional feedback function
- AC100-240V wide voltage design
- Exquisitely fine shape
- 0-100% 16Bit dimming technology

PIXI i12 | LP745T/XCT

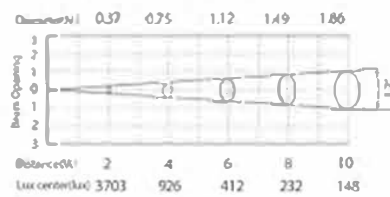
LP745 series products are a powerful, light and handy spot light, light body with high-strength die-casting aluminum housing, built-in power supply and driver, independent heat dissipation system, rotatable & fixable bracket support, available for a series of optical lens, and equipped with adjustable glare shield. Controllable via the DMX512 system, with creative intelligent dimming technology, the light color of the spotlight is softer, gorgeous, and it's widely suitable for the application of landscapes, bridges, exterior facades of buildings and etc.



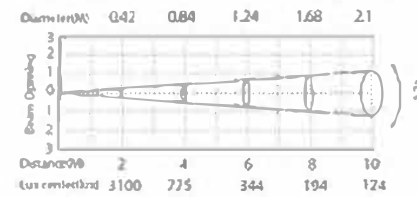
DIMENSIONS



ILLUMINANCE DIAGRAM LP745T



LP745XCT

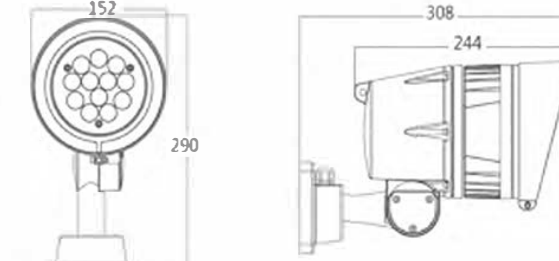


PIXI 4Q | LP745XLET/XAET/XCET

PIXI 4Q applies new type four-in-one LEDs, smart temperature control system, with high color saturation, extreme wonderful color mixing, creative DMX dimming technology and pioneering segment control system, which help architectures to present more artistic effect. With advanced RDM function, the new spot light can provide the real-time feedback for malfunction and its working status, reducing the cost for troubleshooting and maintenance.

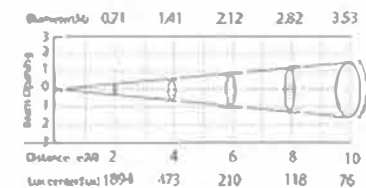


DIMENSIONS

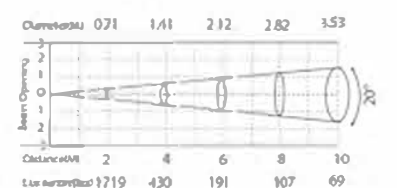


ILLUMINANCE DIAGRAM

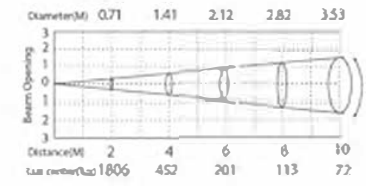
LP745XLET



LP745XAET



LP745XCET



Technical data

LINX 4Q	LP745XLET	LP745XAET	LP745XCET
Input Voltage	AC100~277V	AC100~277V	AC100~277V
Max. Power	50W	50W	50W
Power Factor	>0.9	>0.9	>0.9
Lumen	1780 lm	1425 lm	1603 lm
Peak Intensity	7575cd (30°)	6060cd (30°)	6818cd (30°)
LED Qty	4x Multichip RGBL	4x Multichip RGBA	4x Multichip RGBW
Optics	22°	22°	22°
DMX control channels	0-100%	0-100%	0-100%
Interface	DMX512, RDM	DMX512, RDM	DMX512, RDM
Controllable sections	1	1	1
Mains connection	3m (input only)	3m (input only)	3m (input only)
Data connection	3m (input+output)	3m (input+output)	3m (input+output)
IP Rated	IP67	IP67	IP67
Operation temperature	-40°C~45°C (operating) -20°C~45°C (startup)	-40°C~45°C (operating) -20°C~45°C (startup)	-40°C~45°C (operating) -20°C~45°C (startup)
Housing material	Die-cast aluminium	Die-cast aluminium	Die-cast aluminium
Housing color	Off-white (Gray, Black Optional)	Off-white (Gray, Black Optional)	Off-white (Gray, Black Optional)
Dimensions	244x152x338mm	244x152x338mm	244x152x338mm
Weight	4.2kg	4.2kg	4.2kg

Technical data

PIXI i12	LP745T	LP745XCT
Input Voltage	AC100~277V	AC100~277V
Max. Power	38W	38W
Power Factor	>0.9	>0.9
Lumen	1200lm	909lm
Peak Intensity	14755cd (12°)	12403cd (12°)
LED Qty	12pcs (4R+4G+4B)	12pcs (3R+3G+3B+3W)
Optics	12° (5°, 25°, 45°)	12°, 25°
DMX control channels	0-100%	0-100%
Interface	DMX512, RDM	DMX512, RDM
Controllable sections	1	1
Mains connection	3m cable (input only)	3m cable (input only)
Data connection	3m cable (input+output)	3m cable (input+output)
IP Rated	IP67	IP67
Operation temperature	-40°C~45°C (operating) -20°C~45°C (startup)	-40°C~45°C (operating) -20°C~45°C (startup)
Housing material	Die-cast aluminium	Die-cast aluminium
Housing color	Off-white (Gray, Black Optional)	Off-white (Gray, Black Optional)
Dimensions	244x152x308mm	244x152x308mm
Weight	4.25kg	4.25kg

● Anti-thunder shock protection design

● AC200-277V wide voltage design

● Anti-thunder shock protection design

● RDM bidirectional feedback function

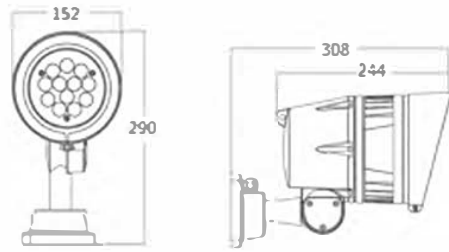
● AC100-277V wide voltage design

PIXI i12 white / i12 Dynamic white | LP745SCT/SWT/CAT

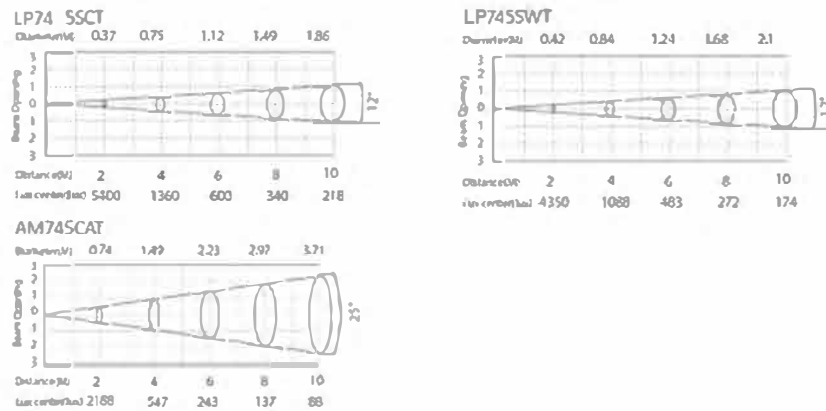
LP745 series products are a powerful, light and handy spot light, with high-strength die-casting aluminum housing, built-in power supply and driver, independent heat dissipation system, rotatable & fixable bracket support, available for a series of optical lens, and equipped with adjustable glare shield. Controllable via the DMX512 system, with creative intelligent dimming technology, the light color of the spotlight is softer, gorgeous, and it's widely suitable for the application of landscapes, bridges, exterior facades of buildings and etc.



DIMENSIONS



ILLUMINANCE DIAGRAM



Technical data

	PIXI i12 white LP745SCT	PIXI i12 white LP745SWT AC	PIXI i12 Dynamic white LP745CAT
Input Voltage	AC100~277V	100~277V 38W	AC100~277V
Max. Power	38W		38W
Power Factor	>0.9	>0.9	>0.9
Lumen	1600lm	1400lm	1300lm
Peak Intensity	21830cd (12°)	17400cd (12°)	8750cd (25°)
LED Qty	12pcs cool white	12pcs warm white	12pcs Amber + Cool white
Optics	12° (5°, 25°, 45°)	12° (5°, 25°, 45°)	12° (5°, 25°, 45°)
DMX control channels	0-100% dimming	0-100% dimming	0-100% dimming
Interface	DMX512. RDM	DMX512. RDM	DMX512. RDM
Controllable sections	1	1	1
Mains connection	3m cable(input only)	3m cable(input only)	3m cable(input only)
Data connection	3m cable(input+output)	3m cable(input+output)	3m cable(input+output)
IP Rated	IP67	IP67	IP67
Operation temperature	-40°C~45°C (operating) -20°C~45°C (startup)	-40°C~45°C (operating) -20°C~45°C (startup)	-40°C~45°C (operating) -20°C~45°C (startup)
Housing material	Die-cast aluminium	Die-cast aluminium	Die-cast aluminium
Housing color	Off-white(Gray, Black Optional)	Off-white(Gray, Black Optional)	Off-white(Gray, Black Optional)
Dimensions	244x152x308mm	244x152x308mm	244x152x308mm
Weight	4.25kg	4.25kg	4.25kg

● Antithunder shock protection design

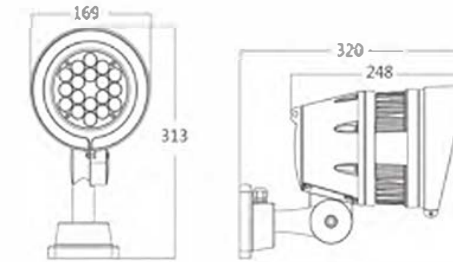
● AC200-277V wide voltage design

PIXI i18 | LP744T/XCT

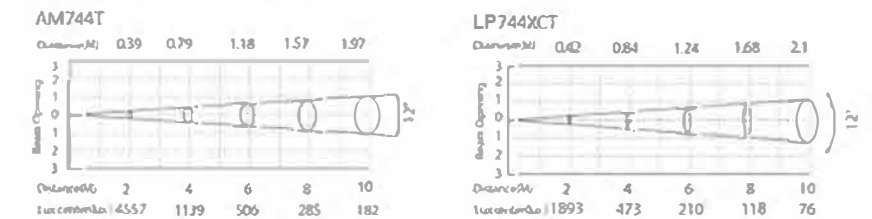
PIXI i18 series spot light, optional for multicolor/ warm white /LED chips, with built-in power supply and driver, independent heat dissipation system, rotatable & fixable one-armed supporting bracket, adjustable glare shield, is available for a series of optical lens. Controllable through the DMX512 system and intelligent digital dimming technology, PIXI i18 series are professional lighting solutions for all kinds of lighting applications.



DIMENSIONS



ILLUMINANCE DIAGRAM



Technical data

	PIXI i18 LP744T	PIXI i18 LP744XCT
Input Voltage	AC100~277V	AC100~277V
Max. Power	55W	55W
Power Factor	>0.9	>0.9
Lumen	1700lm	1080lm
Peak Intensity	18400cd (12°)	7571cd (12°)
LED Qty	18pcs(6R+6G+6B)	18pcs(4R+4G+4B+6W)
Optics	12° (5°, 25°, 45°)	12°, 30°
DMX control channels	0-100% dimming	0-100% dimming
Interface	DMX512. RDM	DMX512. RDM
Controllable sections	1	1
Mains connection	3m cable(input only)	3m cable(input only)
Data connection	3m cable(input+output)	3m cable(input+output)
IP Rated	IP67	IP67
Operation temperature	-40°C~45°C (operating) -20°C~45°C (startup)	-40°C~45°C (operating) -20°C~45°C (startup)
Housing material	Die-cast aluminium	Die-cast aluminium
Housing color	Off-white(Gray, Black Optional)	Off-white(Gray, Black Optional)
Dimensions	248x169x320mm	248x169x320mm
Weight	5.4kg	5.4kg

● RDM bidirectional feedback function

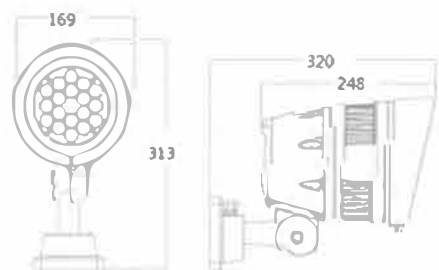
● New generation of anti-thunder shock protection technology

PIXI i18 white/PIXI i18 Dynamic white | LP744SCT/SWT/CAT

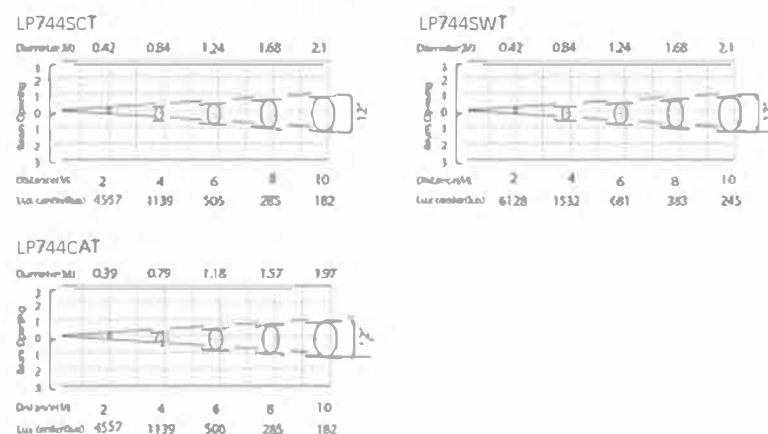
PIXI i18 series spot light, optional for multicolor/ warm white /LED chips, with built-in power supply and driver, independent heat dissipation system, rotatable & fixable one-armed supporting bracket, adjustable glare shield, is available for a series of optical lens. Controllable through the DMX512 system and intelligent digital dimming technology, PIXI i18 series are professional lighting solutions for all kinds of lighting applications.



DIMENSIONS



ILLUMINANCE DIAGRAM



Technical data

	PIXI i18 white LP744SCT	PIXI i18 white LP744SWT	PIXI i18 Dynamic white LP744CAT
Input Voltage	AC100~277V	AC100~277V	AC100~277V
Max. Power	55W	55W	55W
Power Factor	>0.9	>0.9	>0.9
Lumen	1783lm	1254lm	1900lm
Peak Intensity	35700cd (12°)	24512cd (12°)	21528cd (12°)
LED Qty	18pcs Cool white	18pcs warm white	18pcs(Amber + Cool white)
Optics	12°(5°, 25°, 45°)	12°(5°, 25°, 45°)	12°(5°, 25°, 45°)
DMX control channels	0-100%	0-100%	RGB 0-100% dimming
Interface	DMX512, RDM	DMX512, RDM	DMX512, RDM
Controllable sections	1	1	1
Mains connection	3m cable(input only)	3m cable(input only)	3m cable(input only)
Data connection	3m cable(input+output)	3m cable(input+output)	3m cable(input+output)
IP Rated	IP67	IP67	IP67
Operation temperature	-40°C~45°C (operating) -20°C~45°C (startup)	-40°C~45°C (operating) -20°C~45°C (startup)	-40°C~45°C (operating) -20°C~45°C (startup)
Housing material	Die-cast aluminium	Die-cast aluminium	Die-cast aluminium
Housing color	Off-white(Gray, Black Optional)	Off-white(Gray, Black Optional)	Off-white(Gray, Black Optional)
Dimensions	248x169x320mm	248x169x320mm	248x169x320mm
Weight	5.4kg	5.4kg	5.4kg

• RDM bidirectional feedback function

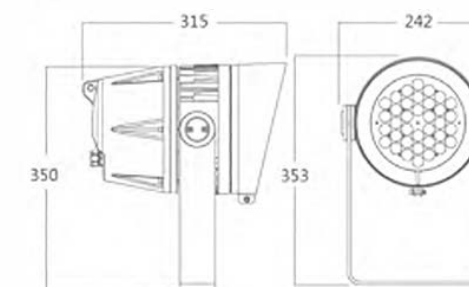
• New generation of anti-thunder shock protection technology

PIXI i36 | LP746T/XCT

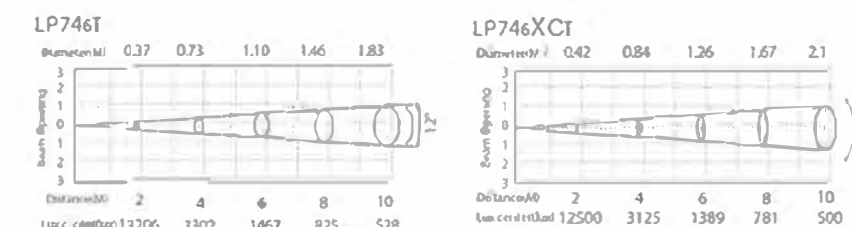
LP746 series LED fixture, with exquisite outline, optional for multicolor LED chips, with built-in power supply and driver, independent heat dissipation system, provides a series of optical lens, and are equipped with adjustable glare shield. Controllable through the DMX512 system and pioneering digital dimming technology, PIXI i36 series are professional lighting solutions for different kinds of lighting applications of buildings, sculptures, landmarks, and so on.



DIMENSIONS



ILLUMINANCE DIAGRAM



Technical data

	PIXI i36 LP746T	PIXI i36 LP746XCT
Input Voltage	AC100~277V	AC100~277V
Max. Power	120W	120W
Power Factor	>0.9	>0.9
Lumen	3700lm	4200lm
Peak Intensity	52638cd (12°)	50000cd (12°)
LED Qty	36pcs(12R+12G+12B)	36pcs(10R+10G+10B+6W)
Optics	12°(5°, 25°, 45°)	12°(5°, 25°, 45°)
DMX control channels	0-100% dimming	0-100%
Interface	DMX512, RDM	DMX512, RDM
Controllable sections	1	1
Mains connection	3m cable(input only)	3m cable(input only)
Data connection	3m cable(input+output)	3m cable(input+output)
IP Rated	IP67	IP67
Operation temperature	-40°C~45°C (operating) -20°C~45°C (startup)	-40°C~45°C (operating) -20°C~45°C (startup)
Housing material	Die-cast aluminium	Die-cast aluminium
Housing color	Off-white(Gray, Black Optional)	Off-white(Gray, Black Optional)
Dimensions	315x242x390mm	315x242x390mm
Weight	8.1kg	8.1kg

• New generation of anti-thunder shock protection technology

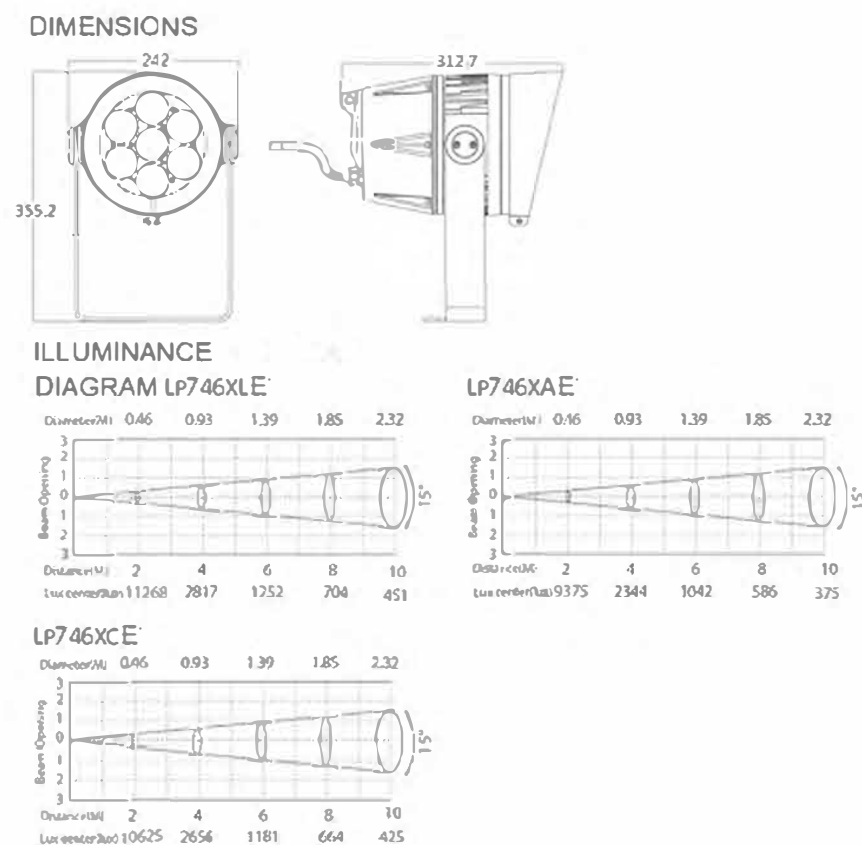
• Installation: 60° rotatable base

• Stepless adjustment of rotatable head

• 0%-100% 16 Bit dimming technology

PIXI 7Q | LP746XLET/XAET/XCET

PIXI 7Q applies new type four-in-one LEDs, smart temperature control system, with high color saturation, extreme wonderful color mixing, creative DMX dimming technology and pioneering segment control system, which help architectures to present more artistic effect. With advanced RDM function, the new spot light can provide the real-time feedback for malfunction and its working status, reducing the cost for troubleshooting and maintenance.



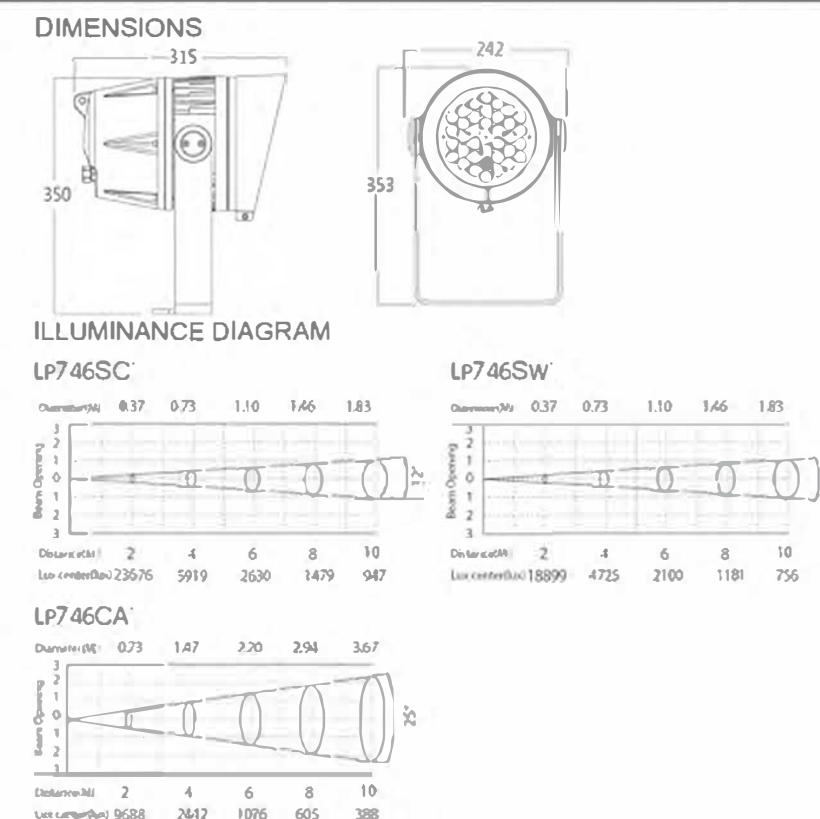
Technical data

PIXI 7Q	LP746XLE	LP746XAE	LP746XCE
Input Voltage	AC100~277V	AC100~277V	AC100~277V
Max. Power	105W	105W	105W
Power Factor	>0.9	>0.9	>0.9
Lumen	4200lm	3200lm	3400lm
Peak Intensity	45000cd (15°)	37500cd (15°)	42500cd (15°)
LED Qty	7xMultichip RGBL	7xMultichip RGBA	7xMultichip RGBW
Optics	15°, 20°	15°	15°
DMX control channels	0-100%	0-100%	0-100%
Interface	DMX512、RDM	DMX512、RDM	DMX512、RDM
Controllable sections	2	2	2
Mains connection	3m(input only)	3m(input only)	3m(input only)
Data connection	3m(input+output)	3m(input+output)	3m(input+output)
IP Rated	IP67	IP67	IP67
Operation temperature	-40°C~45°C (operating) -20°C~45°C (startup)	-40°C~45°C(operating) -20°C~45°C (startup)	-40°C~45°C(operating) -20°C~45°C (startup)
Housing material	Die-cast aluminium	Die-cast aluminium	Die-cast aluminium
Housing color	Off-white(Gray, Black Optional)	Off-white(Gray, Black Optional)	Off-white(Gray, Black Optional)
Dimensions	315x242x390mm	315x242x390mm	315x242x390mm
Weight	8.1kg	8.1kg	8.1kg

- 0%-100% 16 Bit dimming technology
- Section control
- RDM bidirectional feedback function

PIXI i36 white/i36 Dynamic white | LP746SCT/SWT/CAT

AM746 series LED fixture, with exquisite outline. optional for warm white / warm white + cool white LED chips. with built-in power supply and driver, independent heat dissipation system, provides a series of optical lens, and are equipped with adjustable glare shield. Controllable through the DMX512 system and pioneering digital dimming technology, PIXI i36 series are professional lighting solutions for different kinds of lighting applications of buildings, sculptures, landmarks, and so on.



Technical data

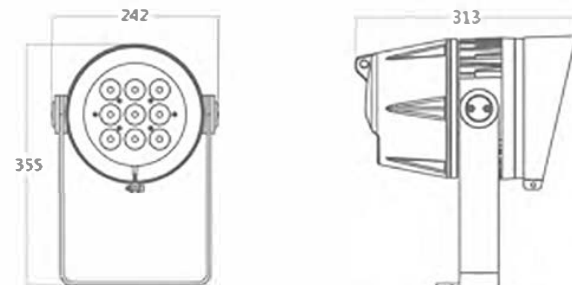
	PIXI i36 white LP746SC	PIXI i36 white LP746SW	PIXI i36 Dynamic white LP746CA
Input Voltage	AC100~277V	AC100~277V	AC100~277V
Max. Power	100W	100W	120W
Power Factor	>0.9	>0.9	>0.9
Lumen	5000lm	4500lm	6136lm
Peak Intensity	94707cd (12°)	75596cd (12°)	38750cd (25°)
LED Qty	36pcs cool white	36pcs warm white	36pcs Amber + Cool white
Optics	12° (5°, 25°, 45°)	12° (5°, 25°, 45°)	25° (5°, 12°, 45°)
DMX control channels	0-100% dimming	0-100% dimming	0-100% dimming
Interface	DMX512、RDM	DMX512、RDM	DMX512、RDM
Controllable sections	1	1	1
Mains connection	3m cable(input only)	3m cable(input only)	3m cable(input only)
Data connection	3m cable(input+output)	3m cable(input+output)	3m cable(input+output)
IP Rated	IP67	IP67	IP67
Operation temperature	-40°C~45°C (operating) -20°C~45°C (startup)	-40°C~45°C (operating) -20°C~45°C (startup)	-40°C~45°C (operating) -20°C~45°C (startup)
Housing material	Die-cast aluminium	Die-cast aluminium	Die-cast aluminium
Housing color	Off-white(Gray, Black Optional)	Off-white(Gray, Black Optional)	Off-white(Gray, Black Optional)
Dimensions	315x242x390mm	315x242x390mm	315x242x390mm
Weight	8.1kg	8.1kg	8.1kg

- New generation of anti-thunder shock protection technology
- Stepless adjustment of ratable head
- Installation: 60° ratable base

PIXI 9Q | LP752XLET/XAET/XCET

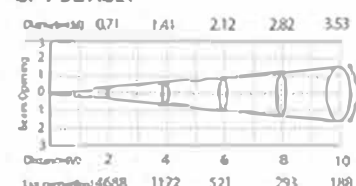
PIXI 9Q applies new type four-in-one LEDs, smart temperature control system, with high color saturation, extreme wonderful color mixing, creative DMX dimming technology and pioneering segment control system, which help architectures to present more artistic effect. With advanced RDM function, the new spot light can provide the real-time feedback for malfunction and its working status, reducing the cost for troubleshooting and maintenance.

DIMENSIONS

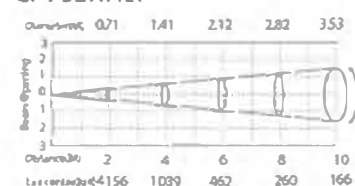


ILLUMINANCE DIAGRAM

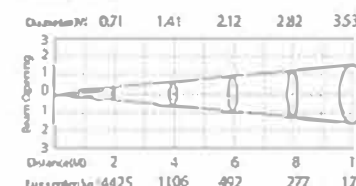
LP752XLET



LP752XAET



AM752XCET



Technical data

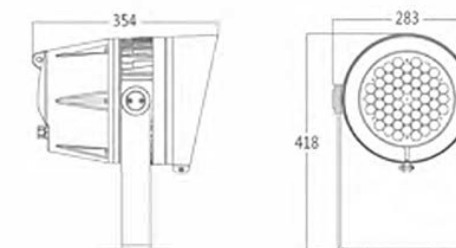
PIXI 9Q	LP752XLET	LP752XAET	LP752XCET
Input Voltage	AC100~277V	AC100~277V	AC100~277V
Max. Power	120W	120W	120W
Power Factor	>0.9	>0.9	>0.9
Lumen	3804lm	3034lm	3423lm
Peak Intensity	18025cd (22°)	14420cd (22°)	16223cd (22°)
LED Qty	9xMultichip RGBL	9xMultichip RGBA	9xMultichip RGBW
Optics	22°	22°	22°
DMX control channels	0-100%	0-100%	0-100%
Interface	DMX512, RDM	DMX512, RDM	DMX512, RDM
Controllable sections	1	1	1
Mains connection	3m(input only)	3m(input only)	3m(input only)
Data connection	3m(input+output)	3m(input+output)	3m(input+output)
IP Rated	IP66	IP66	IP66
Operation temperature	-40°C~45°C (operating) -20°C~45°C (startup)	-40°C~45°C (operating) -20°C~45°C (startup)	-40°C~45°C (operating) -20°C~45°C (startup)
Housing material	Die-cast aluminium	Die-cast aluminium	Die-cast aluminium
Housing color	Off-white(Gray, Black Optional)	Off-white(Gray, Black Optional)	Off-white(Gray, Black Optional)
Dimensions	315x242x390mm	315x242x390mm	315x242x390mm
Weight	8.1kg	8.1kg	8.1kg

- 0%-100% 16 Bit dimming technology
- RDM bidirectional feedback function
- Special protection design for anti-thunder shock and static

PIXI i54 | LP747T/ XCT

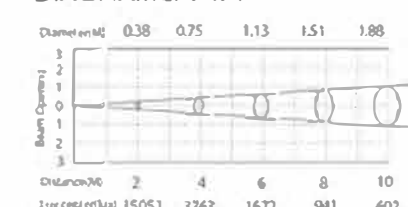
PIXI i54 LP747 series are high power LED spot lights, with die-casting aluminum housing, attractive and durable, available for RGB version, optional for a variety of optical lens, built-in power supply and driver, independent heat dissipation system, equipped with adjustable glare shield, able to create an unparalleled lighting effect for the monuments, buildings, bridges and other projects.

DIMENSIONS

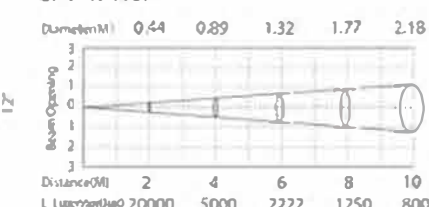


ILLUMINANCE

DIAGRAM LP747T



LP747XCT



Technical data

PIXI i54	LP747T	LP747XCT
Input Voltage	AC100~277V	AC100~277V
Max. Power	170W	170W
Power Factor	>0.9	>0.9
Lumen	5100lm	4426lm
Peak Intensity	59703cd (12°)	80000cd (12°)
LED Qty	54pcs(18R+18G+18B)	54pcs(15R+15G+15B+9W)
Optics	12° (5°, 25°, 45°)	12° (5°, 25°, 45°)
DMX control channels	0-100% dimming	0-100%
Interface	DMX512, RDM	DMX512, RDM
Controllable sections	1	1
Mains connection	3m cable(input only)	3m cable(input only)
Data connection	3m cable(input+output)	3m cable(input+output)
IP Rated	IP67	IP67
Operation temperature	-40°C~45°C (operating) -20°C~45°C (startup)	-40°C~45°C (operating) -20°C~45°C (startup)
Housing material	Die-cast aluminium	Die-cast aluminium
Housing color	Off-white(Gray, Black Optional)	Off-white(Gray, Black Optional)
Dimensions	354x283x450mm	354x283x450mm
Weight	11kg	11kg

- Special protection design for anti-thunder shock and static
- 0-100% 16Bit dimming technology
- High-strength die-casting aluminum housing material; 60° rotatable installation base

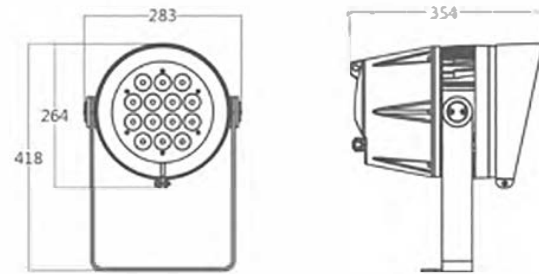
Spot light

Spot light

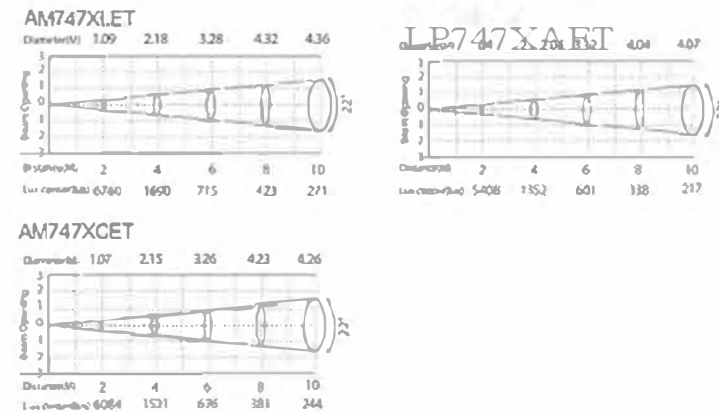
PIXI 14Q | LP747XLET/XAET/XCET

PIXI i54 AM747 series are high power LED spot lights, with die-casting aluminum housing, attractive and durable, available for RGB version, optional for a variety of optical lens, built-in power supply and driver, independent heat dissipation system, equipped with adjustable glare shield, able to create an unparalleled lighting effect for the monuments, buildings, bridges and other projects.

DIMENSIONS



ILLUMINANCE DIAGRAM



Technical data

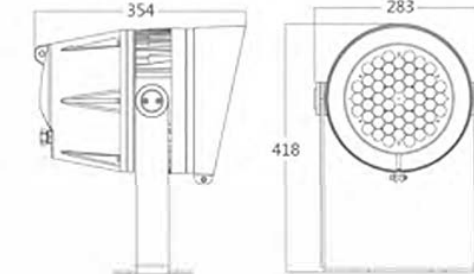
PIXI 14Q	LP747XLET	LP747XAET	LP747XCET
Input Voltage	AC100~277V	AC100~277V	AC100~277V
Max. Power	180W	180W	180W
Power Factor	>0.9	>0.9	>0.9
Lumen	5706lm	4551lm	5135lm
Peak Intensity	27038cd (22°)	21630cd (22°)	24335cd (22°)
LED Qty	14xMultichip RGBL	14xMultichip RGBA	14xMultichip RGBW
Optics	22°	22°	22°
DMX control channels	0-100%	0-100%	0-100%
Interface	DMX512, RDM	DMX512, RDM	DMX512, RDM
Controllable sections	1	1	1
Mains connection	3m cable(input only)	3m cable(input only)	3m cable(input only)
Data connection	3m cable(input+output)	3m cable(input+output)	3m cable(input+output)
IP Rated	IP67	IP67	IP67
Operation temperature	-40°C~45°C (operating) -20°C~45°C (startup)	-40°C~45°C (operating) -20°C~45°C (startup)	-40°C~45°C (operating) -20°C~45°C (startup)
Housing material	Die-cast aluminium	Die-cast aluminium	Die-cast aluminium
Housing color	Off-white (Gray, Black Optional)	Off-white (Gray, Black Optional)	Off-white (Gray, Black Optional)
Dimensions	354x283x450mm	354x283x450mm	354x283x450mm
Weight	11kg	11kg	11kg

- Special protection design for anti-thunder shock and static
- RDM bidirectional feedback function
- 0%-100% 16 Bit dimming technology

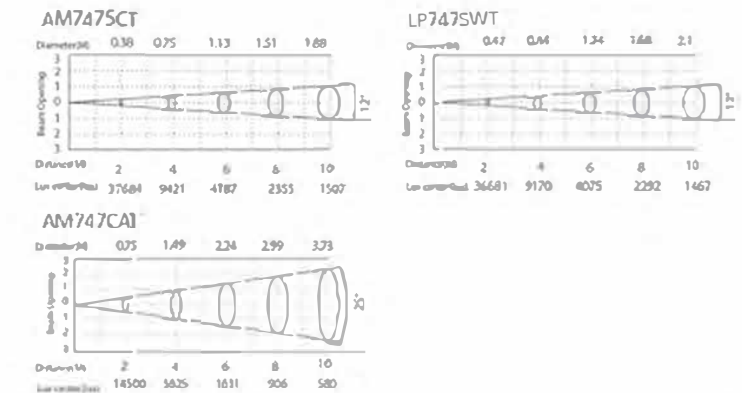
PIXI i54 white/ i54 Dynamic white | LP747SCT/SWT/CAT

PIXI i54 AM747 series are high power LED spot lights, with die-casting aluminum housing, attractive and durable, available for RGB version, optional for a variety of optical lens, built-in power supply and driver, independent heat dissipation system, equipped with adjustable glare shield, able to create an unparalleled lighting effect for the monuments, buildings, bridges and other projects.

DIMENSIONS



ILLUMINANCE DIAGRAM



Technical data

	PIXI i54 white LP747SCT	PIXI i54 white LP747SWT	PIXI i54 Dynamic white LP747CAT AC100~277V
Input Voltage	AC100~277V	AC100~277V	150W
Max. Power	150W	150W	
Power Factor	>0.9	>0.9	>0.9
Lumen	7790lm	7440lm	7200lm
Peak Intensity	150738cd (12°)	146726cd (12°)	58000cd (25°)
LED Qty	54pcs cool white	54pcs warm white	54pcs Amber + Cool white
Optics	12° (5°, 25°, 45°)	12° (5°, 25°, 45°, 55°)	25° (5°, 12°, 45°)
DMX control channels	0-100%	0-100%	0-100%
Interface	DMX512, RDM	DMX512, RDM	DMX512, RDM
Controllable sections	1	1	1
Mains connection	3m cable (input only)	3m cable (input only)	3m cable (input only)
Data connection	3m cable (input+output)	3m cable (input+output)	3m cable (input+output)
IP Rated	IP67	IP67	IP67
Operation temperature	-40°C~45°C (operating) -20°C~45°C (startup)	-40°C~45°C (operating) -20°C~45°C (startup)	-40°C~45°C (operating) -20°C~45°C (startup)
Housing material	Die-cast aluminium	Die-cast aluminium	Die-cast aluminium
Housing color	Off-white (Gray, Black Optional)	Off-white (Gray, Black Optional)	Off-white (Gray, Black Optional)
Dimensions	354x283x450mm	354x283x450mm	354x283x450mm
Weight	11kg	11kg	11kg

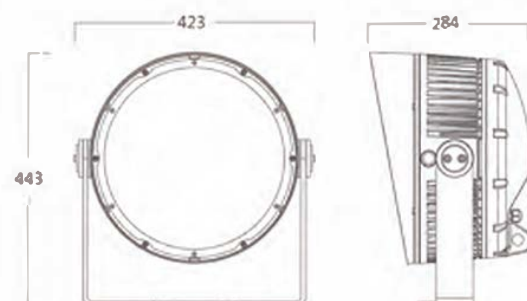
- High-strength die-casting aluminum housing material; 60° rotatable installation base
- 0-100% 16Bit dimming technology
- RGB / warm white / cool white / warm white + cool white LED chips optional
- Special protection design for anti-thunder shock and static

PIXI i24 HP | LP749XCT

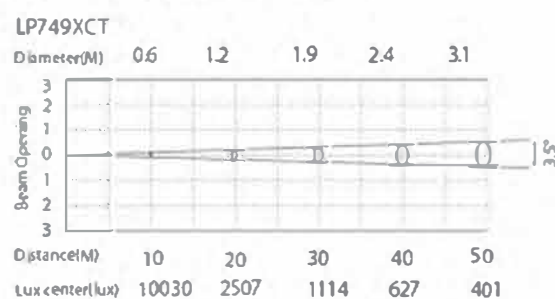
AM749 the high power spot light series, equipped with advanced intelligent color management system, can better ensure the consistency of light color of luminaries. Equipped with adjustable glare shield, supporting RDM Bi-directional feedback function, the fixture can provide the real-time feedback for malfunction and its working status, which reduces the troubleshooting and cost for the maintenance. Suitable for landscapes, bridges, monuments, architectural facades and other landscape lighting project.



DIMENSIONS



ILLUMINANCE DIAGRAM



Technical data

TARPON i24 HP	LP749XCT
■ Input Voltage	AC 100~277V
■ Max. Power	350W
■ Power Factor	>0.9
■ Lumen	7496lm
■ Peak Intensity	1003000cd (3.5°)
■ LED Qty	24pcs(6R+6G+6B+6W)
■ Optics	3.5°
■ DMX control channels	0-100%
■ Interface	DMX512, RDM
■ Controllable sections	1
■ Mains connection	3m(input only)
■ Data connection	3m cable(input+output)
■ IP Rated	IP66
■ Operation temperature	-40°C~45°C (operating) -40°C~45°C (startup)
■ Housing material	Die-cast aluminium
■ Housing color	Off-white (Gray, Black Optional)
■ Dimensions	423x284x443mm
■ Weight	17.5kg

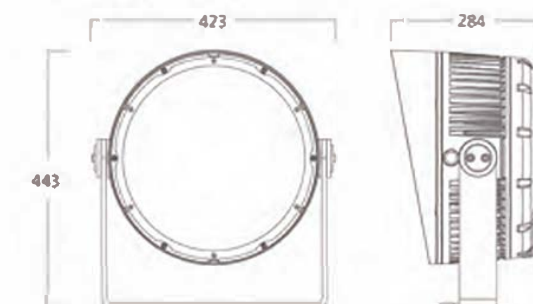
- RDM bidirectional feedback function
- Half-moon shaped installation base design
- 0%-100% 16 Bit dimming technology
- Color Consistency System

PIXI 24Q | LP749XLET/XAET/XCET

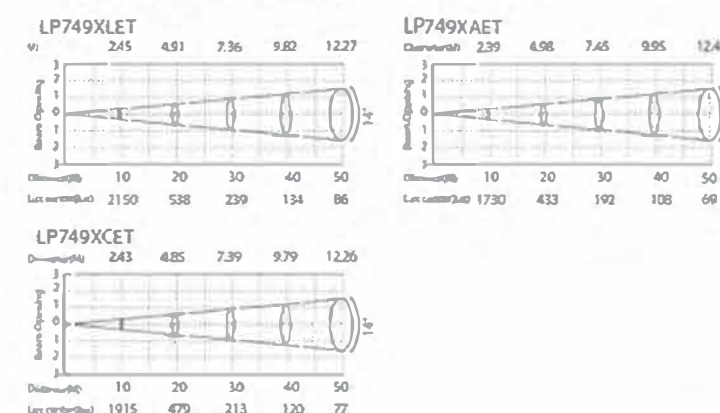
AM749 the high power spot light series, equipped with advanced intelligent color management system, can better ensure the consistency of light color of luminaries. Equipped with adjustable glare shield, supporting RDM Bi-directional feedback function, the fixture can provide the real-time feedback for malfunction and its working status, which reduces the troubleshooting and cost for the maintenance. Suitable for landscapes, bridges, monuments, architectural facades and other landscape lighting project.



DIMENSIONS



ILLUMINANCE DIAGRAM



Technical data

PIXI 24Q	LP749XLET	LP749XAET	LP749XCET
■ Input Voltage	AC100~277V	AC100~277V	AC100~277V
■ Max. Power	300W	300W	300W
■ Power Factor	>0.9	>0.9	>0.9
■ Lumen	11428lm	11635lm	12768lm
■ Peak Intensity	164506cd (14°)	173025cd (14°)	191500cd (14°)
■ LED Qty	24xMultichip (RGBL)	24xMultichip (RGBA)	24xMultichip (RGBW)
■ Optics	14°, 25°, 30°	14°, 25°, 30°	14°, 25°, 30°
■ DMX control channels	0-100%	0-100%	0-100%
■ Interface	DMX512, RDM	DMX512, RDM	DMX512, RDM
■ Controllable sections	1	1	1
■ Mains connection	3m cable(input only)	3m cable(input only)	3m cable(input only)
■ Data connection	3m cable(input+output)	3m cable(input+output)	3m cable(input+output)
■ IP Rated	IP66	IP66	IP66
■ Operation temperature	-40°C~45°C (operating) -40°C~45°C (startup)	-40°C~45°C (operating) -40°C~45°C (startup)	-40°C~45°C (operating) -40°C~45°C (startup)
■ Housing material	Die-cast aluminium	Die-cast aluminium	Die-cast aluminium
■ Housing color	Off-white (Gray, Black Optional)	Off-white (Gray, Black Optional)	Off-white (Gray, Black Optional)
■ Dimensions	423x284x443mm	423x284x443mm	423x284x443mm
■ Weight	17.5kg	17.5kg	17.5kg

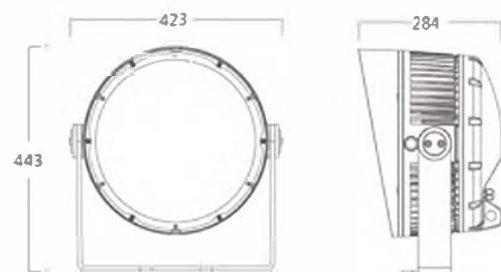
- 0%-100% 16 Bit dimming technology
- RDM bidirectional feedback function
- Color Consistency System

PIXI I24 HP white/PIXI I24 HP Dynamic white | LP749SCT/SWT/CAT

AM749 the high power spot light series, equipped with advanced intelligent color management system, can better ensure the consistency of light color of luminaries. Equipped with adjustable glare shield, supporting RDM Bi-directional feedback function, the fixture can provide the real-time feedback for malfunction and its working status, which reduces the troubleshooting and cost for the maintenance. Suitable for landscapes, bridges, monuments, architectural facades and other landscape lighting project.

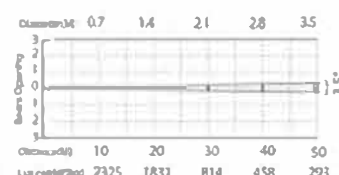


DIMENSIONS

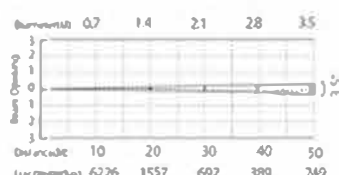


ILLUMINANCE DIAGRAM

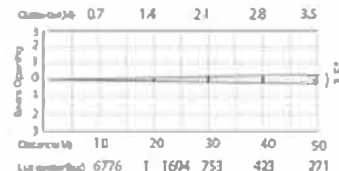
LP749SCT



LP749SWT



LP749CAT



Technical data

	PIXI I24 HP white LP749SCT	PIXI I24 HP white LP749SWf	PIXI I24 HP Dynamic white LP749CAT
Input Voltage	AC 100~277V	AC 100~277V	AC 100~277V
Max. Power	300W	300W	300W
Power Factor	>0.9	>0.9	>0.9
Lumen	11874lm	11278lm	10686lm
Peak Intensity	732510cd (3.5°)	622634cd (3.5°)	67757cd (3.5°)
LED Qty	24pcs cool white	24pcs warm white	24pcs Amber+cool white
Optics	3.5°, 10°, 20°	3.5°, 10°, 20°	14°
DMX control channels	0-100%	0-100%	0-100%
Interface	DMX512, RDM	DMX512, RDM	DMX512, RDM
Controllable sections	1	1	1
Mains connection	3m cable(input only)	3m cable(input only)	3m cable(input only)
Data connection	3m cable(input+output)	3m cable(input+output)	3m cable(input+output)
IP Rated	IP66	IP66	IP66
Operation temperature	-40°C~45°C (operating) -20°C~45°C (startup)	-40°C~45°C (operating) -20°C~45°C (startup)	-40°C~45°C (operating) -20°C~45°C (startup)
Housing material	Die-cast aluminium	Die-cast aluminium	Die-cast aluminium
Housing color	Off-white (Gray, Black Optional)	Off-white (Gray, Black Optional)	Off-white (Gray, Black Optional)
Dimensions	423x284x443mm	423x284x443mm	423x284x443mm
Weight	17.5kg	17.5kg	17.5kg

- RDM bidirectional feedback function
- 0%-100% 16 Bit dimming technology
- Half-moon shaped installation base design
- Color Consistency System



Spot light

Spot light

Linear floodlight :

Lumeplus Linear floodlight series possess advanced and stable built-in power supply technology, innovative and simple wiring, no dark area light splicing and wireless control technology, DMX512 and other control options. Able to achieve color jumping, chasing and other light effects, gorgeous light of the wall washer sketches the contours of the grand large construction, is ideal fixtures of panoramic wallwashing for government lighting engineering, commercial areas, elevated overpasses, building facades, architectural landmarks.

Intelligent Multicolor



LP711T/XCET/XCT
GRAZE i9/GRAZE 9Q/GRAZE i121



LP712T/XCET/XCT
GRAZE i18/GRAZE 18Q/GRAZE i122



LP713T/XCET/XCT
GRAZE i27/GRAZE 27Q/GRAZE i123



LP714T/XCET/XCT
GRAZE i36/GRAZE 36Q/GRAZE i124

Intelligent White



LP711SWT/SCT/CAT
GRAZE i9 white
GRAZE i121 Dynamic white



LP712SWT/SCT/CAT
GRAZE i18 white
GRAZE i122 Dynamic white



LP712SWT/SCT/CAT
GRAZE i27 white
GRAZE i123 Dynamic white

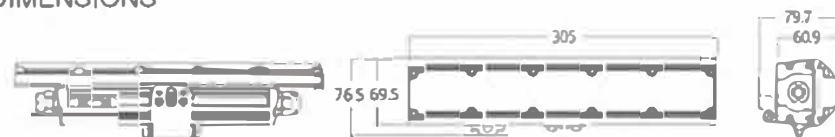


LP7125WT/SCT/CAT
GRAZE i36 white
GRAZE i124 Dynamic white

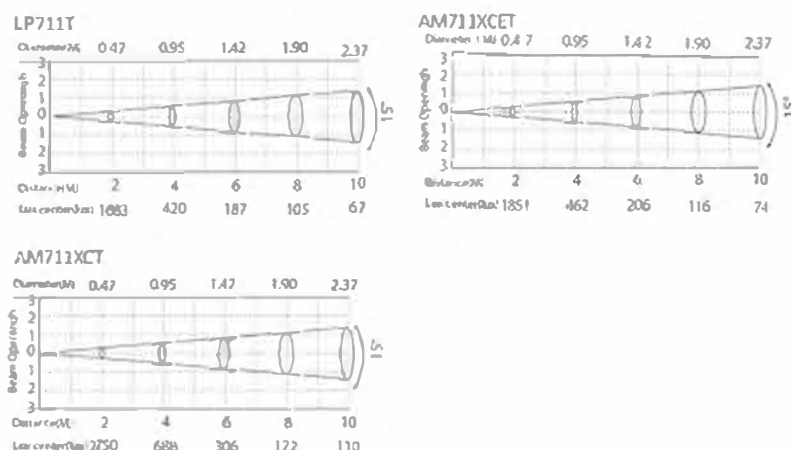
GRAZE i9/9Q/i121 | LP711T/XCET/XCT

As a new generation of linear wall washer, AM711 is seamless, perfectly stitching designed fixture with a length of 305 millimeter, with power supply and driver built in lamp body, integrated power and DMX signal cable. Flexible lighting device for application in a variety of building structures.

DIMENSIONS



ILLUMINANCE DIAGRAM



Technical data

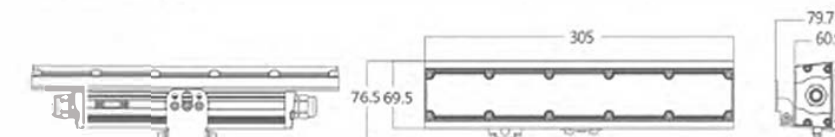
	GRAZE i9	GRAZE 9Q	GRAZE i121
	LP711T	LP711XCET	LP711XCT
■ Input Voltage	AC100~277V	AC100~277V	AC100~277V
■ Max. Power	20W	20W	20W
■ Power Factor	>0.9	>0.9	>0.9
■ Lumen	784lm	863lm	989lm
■ Peak Intensity	7800cd (15°)	8580cd (15°)	11000cd (15°)
■ LED Qty	9pcs (3R+3G+3B)	9xMultichip RGBW	12pcs (3R+3G+3B+3W)
■ Optics	15° (10°, 25°, 30°, 60°, 15°x30°, 60°x15°)	15° (25°, 30°, 60°, 15°x30°, 10°x60°)	15° (10°, 25°, 30°, 60°, 15°x30°, 10°x60°)
■ DMX control channels	0-100%	0-100%	0-100%
■ Interface	DMX512, RDM	DMX512, RDM	DMX512, RDM
■ Controllable sections	1	1	1
■ Mains connection	Integrated power and signal cable		
■ Data connection	Integrated power and signal cable		
■ IP Rated	IP66	IP66	IP66
■ Operation temperature	-40°C~45°C (operating) -20°C~45°C (startup)	-40°C~45°C (operating) -20°C~45°C (startup)	-40°C~45°C (operating) -20°C~45°C (startup)
■ Housing material	Extruded aluminium	Extruded aluminium	Extruded aluminium
■ Housing color	Silver	Silver	Silver
■ Dimensions	305x62x84mm	305x62x84mm	305x62x84mm
■ Weight	1.2kg	1.2kg	1.2kg

- Built-in power supply
- RDM bidirectional feedback function
- Seamless light splicing; no light crack
- The international standard design
- 0%-100% 16 Bit dimming technology

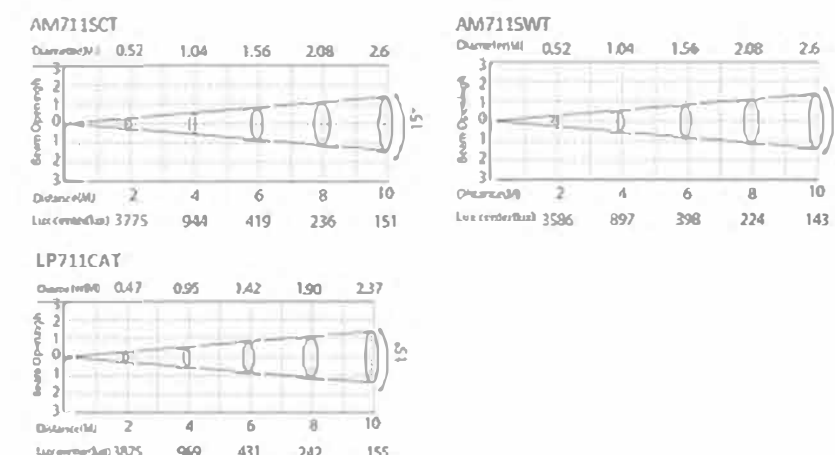
GRAZE i9 white/i121 Dynamic white | LP711SCT/SWT/CAT

As a new generation of linear wall washer, AM711 is seamless, perfectly stitching designed fixture with a length of 305 millimeter, with power supply and driver built in lamp body, integrated power and DMX signal cable. Flexible lighting device for application in a variety of building structures.

DIMENSIONS



ILLUMINANCE DIAGRAM



Technical data

	GRAZE i9 white	GRAZE i9 white	GRAZE i121 Dynamic white
	LP711SCT	LP711SWT	LP711CAT
■ Input Voltage	AC100~277V	AC100~277V	AC100~277V
■ Max. Power	20w	20w	20W
■ Power Factor	>0.9	>0.9	>0.9
■ Lumen	1514lm	1435lm	1750lm
■ Peak Intensity	15101cd (15°)	14345cd (15°)	15500cd (15°)
■ LED Qty	12pcs cool white	12pcs warm white	12pcs (Amber + Cool white)
■ Optics	15° (10°, 25°, 30°, 60°, 15°x30°, 10°x60°)	15° (10°, 25°, 30°, 60°, 15°x30°, 10°x60°)	15° (10°, 25°, 30°, 60°, 15°x30°, 10°x60°)
■ DMX control channels	0-100%	0-100%	0-100%
■ Interface	DMX512, RDM	DMX512, RDM	DMX512, RDM
■ Controllable sections	1	1	1
■ Mains connection	Integrated power and signal cable		
■ Data connection	Integrated power and signal cable		
■ IP Rated	IP66	IP66	IP66
■ Operation temperature	-40°C~45°C (operating) -20°C~45°C (startup)	-40°C~45°C (operating) -20°C~45°C (startup)	-40°C~45°C (operating) -20°C~45°C (startup)
■ Housing material	Extruded aluminium	Extruded aluminium	Extruded aluminium
■ Housing color	Silver	Silver	Silver
■ Dimensions	305x62x84mm	305x62x84mm	305x62x84mm
■ Weight	1.2kg	1.2kg	1.2kg

- Built-in power supply
- RDM bidirectional feedback function
- Seamless light splicing; no light crack
- The international standard design
- 0%-100% 16 Bit dimming technology

GRAZE i18/18Q/i122 | LP712T/XCET/XCT

As a new generation of linear wall washer, AM712 is seamless, perfectly stitching designed LED fixture with a length of 610 millimeter, with power supply and driver built in lamp body, integrated power and DMX signal cable. Flexible lighting device for application in a variety of building structures.



Technical data

	GRAZE i18	GRAZE 18Q	GRAZE i122
	LP712T	LP712XCET	LP712XCT
■ Input Voltage	AC100~277V	AC100~277V	AC100~277V
■ Max. Power	40W	40W	40W
■ Power Factor	>0.9	>0.9	>0.9
■ Lumen	1454lm	1600lm	2034lm
■ Peak Intensity	15600cd (15°)	17160cd (15°)	21500cd (15°)
■ LED Qty	18pcs (6R+6G+6B)	18xMultichip RGBW	24 pcs (6R+6G+6B+6W)
■ Optics	15° (10°, 25°, 30°, 60°, 15°x30°, 60°x15°)	15° (25°, 30°, 60°, 15°x30°, 60°x15°)	15° (10°, 25°, 30°, 60°, 15°x30°, 60°x15°)
■ DMX control channels	0-100%	0-100%	0-100%
■ Interface	DMX512, RDM	DMX512, RDM	DMX512, RDM
■ Controllable sections	1	2	2
■ Mains connection	Integrated power and signal cable		
■ Data connection	Integrated power and signal cable		
■ IP Rated	IP66	IP66	IP66
■ Operation temperature	-40°C~45°C (operating) -20°C~45°C (startup)	-40°C~45°C (operating) -20°C~45°C (startup)	-40°C~45°C (operating) -20°C~45°C (startup)
■ Housing material	Extruded aluminium	Extruded aluminium	Extruded aluminium
■ Housing color	Silver	Silver	Silver
■ Dimensions	610x62x84mm	610x62x84mm	610x62x84mm
■ Weight	2.4kg	2.4kg	2.4kg

- Built-in power supply
- RDM bidirectional feedback function
- Seamless light splicing; no light crack
- The international standard design
- 0%-100% 16 Bit dimming technology

GRAZE i18 white/i122 Dynamic white | LP712SCT/SWT/CAT

As a new generation of linear wall washer, AM712 is seamless, perfectly stitching designed LED fixture with a length of 610 millimeter, with power supply and driver built in lamp body, integrated power and DMX signal cable. Flexible lighting device for application in a variety of building structures.



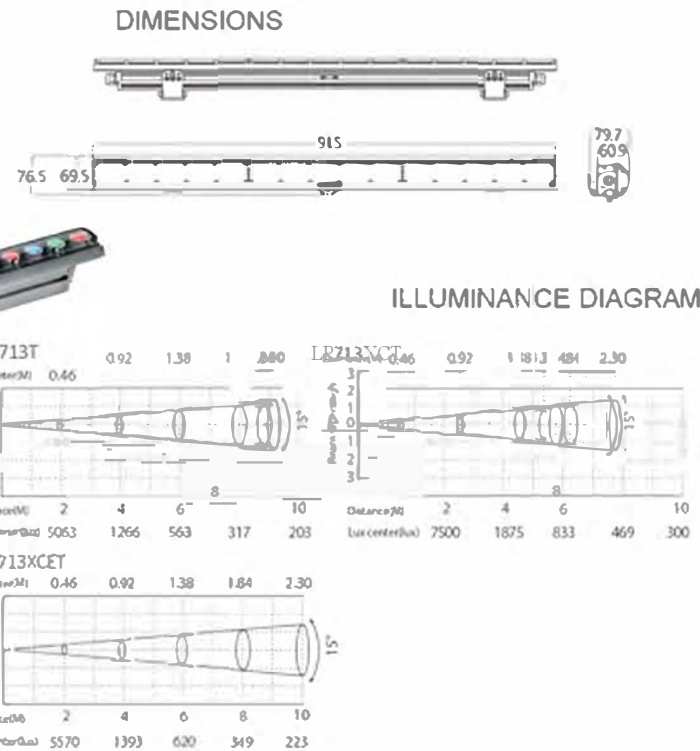
Technical data

	GRAZE i18 white	GRAZE i18 white	GRAZE i122 Dynamic white
	LP712sCT	LP712sWT	LP712CAT
■ Input Voltage	AC100~277V	AC100~277V	AC100~277V
■ Max. Power	40w	40w	40W
■ Power Factor	>0.9	>0.9	>0.9
■ Lumen	2816lm	2675lm	3500lm
■ Peak Intensity	30202cd (15°)	28690cd (15°)	31000cd (15°)
■ LED Qty	24pcs cool white	24pcs warm white	24pcs (Amber + Cool white)
■ Optics	15° (10°, 25°, 30°, 60°, 15°x30°, 60°x15°)	15° (10°, 25°, 30°, 60°, 15°x30°, 60°x15°)	15° (10°, 25°, 30°, 60°, 15°x30°, 60°x15°)
■ DMX control channels	0-100%	0-100%	0-100%
■ Interface	DMX512, RDM	DMX512, RDM	DMX512, RDM
■ Controllable sections	1	1	1
■ Mains connection	Integrated power and signal cable		
■ Data connection	Integrated power and signal cable		
■ IP Rated	IP66	IP66	IP66
■ Operation temperature	-40°C~45°C (operating) -20°C~45°C (startup)	-40°C~45°C (operating) -20°C~45°C (startup)	-40°C~45°C (operating) -20°C~45°C (startup)
■ Housing material	Extruded aluminium	Extruded aluminium	Extruded aluminium
■ Housing color	Silver	Silver	Silver
■ Dimensions	610x62x84mm	610x62x84mm	610x62x84mm
■ Weight	2.4kg	2.4kg	2.4kg

- Built-in power supply
- RDM bidirectional feedback function
- Seamless light splicing; no light crack
- The international standard design
- 0%-100% 16 Bit dimming technology

GRAZE i27/ 27Q/i123 | LP713T/XCET/XCT

As a new generation of linear wall washer, AM713 is seamless, perfectly stitching designed LED fixture with a length of 915 millimeter, with power supply and driver built in lamp body, integrated power and DMX signal cable. Flexible lighting device for application in a variety of building structures.



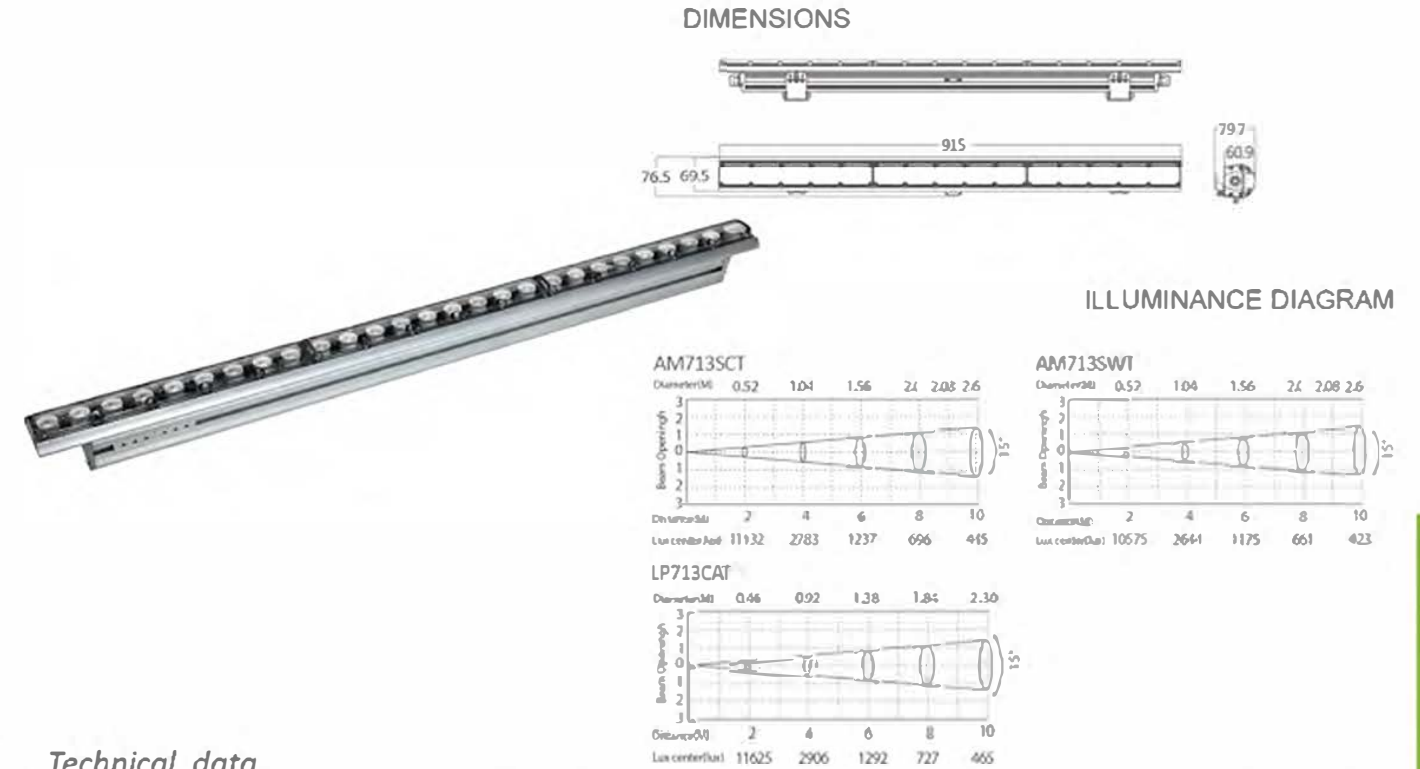
Technical data

	GRAZE i27	GRAZE 27Q	GRAZE i123
	LP713T	LP713XCET	LP713XCT
■ Input Voltage	AC100~277V	AC100~277V	AC100~277V
■ Max. Power	60W	60W	60W
■ Power Factor	>0.9	>0.9	>0.9
■ Lumen	2053lm	2258lm	3334 lm
■ Peak Intensity	23000cd (15°)	25300cd (15°)	30000cd (15°)
■ LED Qty	27pcs (9R+9G+9B)	27xMultichip RGBW	36x(9R+9G+9B+9W)
■ Optics	15° (10°, 25°, 30°, 60°, 15°x30°, 60°x15°)	15° (25°, 30°, 60°, 15°x30°, 60°x15°)	15° (10°, 25°, 30°, 60°, 15°x30°, 60°x15°)
■ DMX control channels	0-100%	0-100%	0-100%
■ Interface	DMX, RDM	DMX, RDM	DMX, RDM
■ Controllable sections	1	3	3
■ Mains connection	Integrated power and signal cable		
■ Data connection	Integrated power and signal cable		
■ IP Rated	IP66	IP66	IP66
■ Operation temperature	-40°C~45°C (operating) -20°C~45°C (startup)	-40°C~45°C (operating) -20°C~45°C (startup)	-40°C~45°C (operating) -20°C~45°C (startup)
■ Housing material	Extruded aluminium	Extruded aluminium	Extruded aluminium
■ Housing color	Silver	Silver	Silver
■ Dimensions	915x62x84mm	915x62x84mm	915x62x84mm
■ Weight	3.6kg	3.6kg	3.6kg

- Built-in power supply
- RDM bidirectional feedback function
- Seamless light splicing; no light crack
- The international standard design
- 0%-100% 16 Bit dimming technology

GRAZE i27 white/ i123 Dynamic white | LP713SCT/SWT/CAT

As a new generation of linear wall washer, AM713 is seamless, perfectly stitching designed LED fixture with a length of 915 millimeter, with power supply and driver built in lamp body, integrated power and DMX signal cable. Flexible lighting device for application in a variety of building structures.



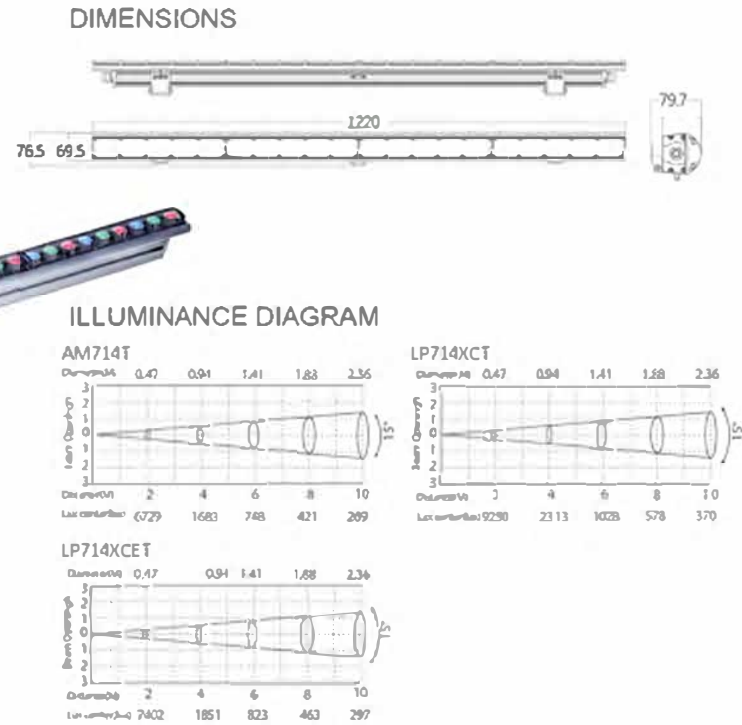
Technical data

	GRAZE i27 white	GRAZE i27 white	GRAZE i123 Dynamic white
	LP713SCT	LP713SWT	LP713CAT
■ Input Voltage	AC100~277V	AC100~277V	AC100~277V
■ Max. Power	60W	60W	60W
■ Power Factor	>0.9	>0.9	>0.9
■ Lumen	3974lm	3775lm	5200lm
■ Peak Intensity	44528cd (15°)	42302cd (15°)	46500cd (15°)
■ LED Qty	36pcs cool white	36pcswarm white	36x(Amber + Cool white)
■ Optics	15° (10°, 25°, 30°, 60°, 15°x30°, 60°x15°)	15° (10°, 25°, 30°, 60°, 15°x30°, 60°x15°)	15° (10°, 25°, 30°, 60°, 15°x30°, 60°x15°)
■ DMX control channels	0-100%	0-100%	0-100%
■ Interface	DMX, RDM	DMX, RDM	DMX, RDM
■ Controllable sections	1	1	1
■ Mains connection	Integrated power and signal cable		
■ Data connection	Integrated power and signal cable		
■ IP Rated	IP66	IP66	IP66
■ Operation temperature	-40°C~45°C (operating) -20°C~45°C (startup)	-40°C~45°C (operating) -20°C~45°C (startup)	-40°C~45°C (operating) -20°C~45°C (startup)
■ Housing material	Extruded aluminium	Extruded aluminium	Extruded aluminium
■ Housing color	Silver	Silver	Silver
■ Dimensions	915x62x84mm	915x62x84mm	915x62x84mm
■ Weight	3.6kg	3.6kg	3.6kg

- Built-in power supply
- RDM bidirectional feedback function
- Seamless light splicing; no light crack
- The international standard design
- 0%-100% 16 Bit dimming technology

GRAZE i36/36Q/i124 | LP714T/XCET/XCT

As a new generation of linear wall washer, AM714 is seamless, perfectly stitching designed LED fixture with a length of 1220 millimeter, with power supply and driver built in lamp body, integrated power and DMX signal cable. Flexible lighting device for application in a variety of building structures.



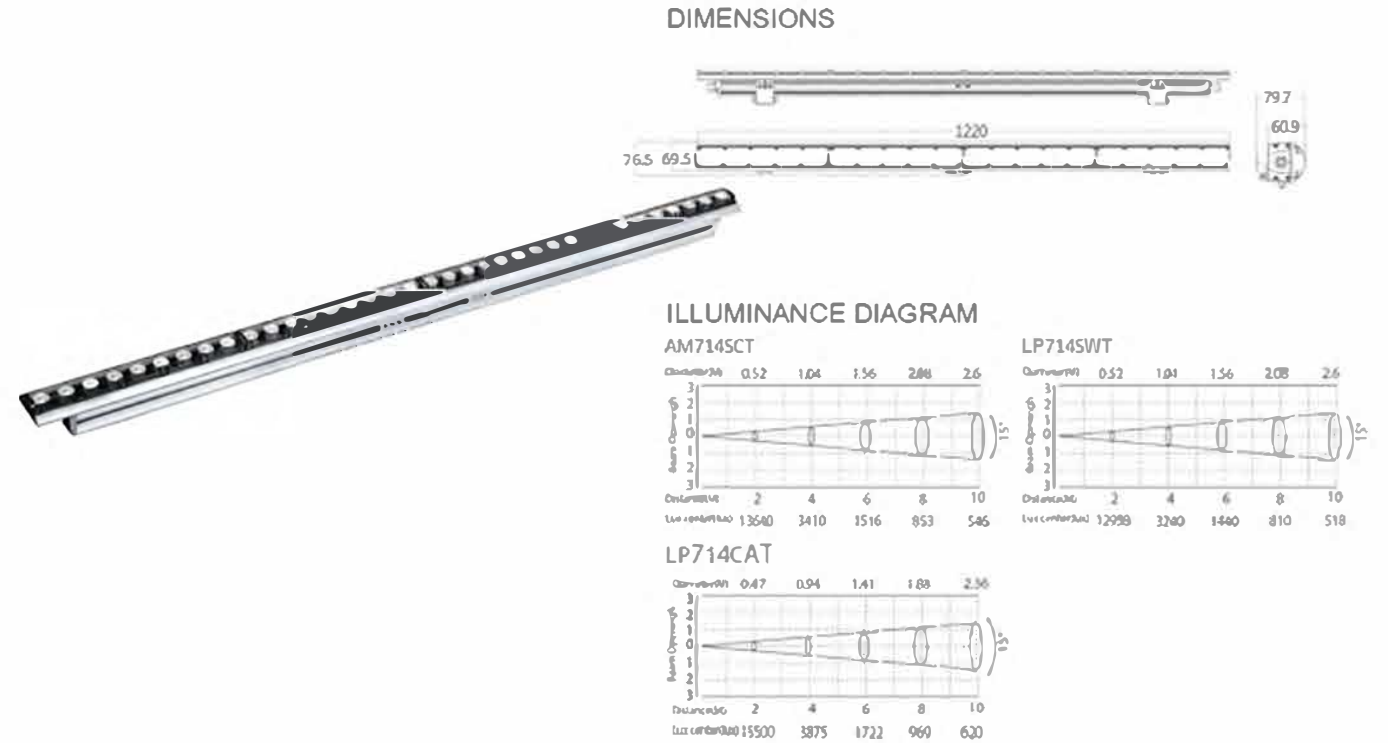
Technical data

	GRAZE i36	GRAZE 36Q	GRAZE i124
	LP714T	LP714XCET	LP714XCT
■ Input Voltage	AC100~277V	AC100~277V	AC100~277V
■ Max. Power	80W	80W	80W
■ Power Factor	>0.9	>0.9	>0.9
■ Lumen	2636lm	2900lm	4490lm
■ Peak Intensity	31000cd (15°)	34100cd (15°)	37000cd (15°)
■ LED Qty	36pcs (12R+12G+12B)	36xMultichip RGBW	48x (12R+12G+12B+12W)
■ Optics	15° (10°, 25°, 30°, 60°, 15°x30°, 60°x15°)	15° (25°, 30°, 60°, 15°x30°, 60°x15°)	15° (10°, 25°, 30°, 60°, 15°x30°, 60°x15°)
■ DMX control channels	0-100%	0-100%	0-100%
■ Interface	DMX512, RDM	DMX512, RDM	DMX512, RDM
■ Controllable sections	1	4	4
■ Mains connection			
■ Data connection	Integrated power and signal cable		
■ IP Rated	IP66	IP66	IP66
■ Operation temperature	-40°C~45°C (operating) -20°C~45°C (startup)	-40°C~45°C (operating) -20°C~45°C (startup)	-40°C~45°C (operating) -20°C~45°C (startup)
■ Housing material	Extruded aluminium	Extruded aluminium	Extruded aluminium
■ Housing color	Silver	Silver	Silver
■ Dimensions	1220x62x84mm	1220x62x84mm	1220x62x84mm
■ Weight	4.8kg	4.8kg	4.8kg

- Built-in power supply
- RDM bidirectional feedback function
- Seamless light splicing; no light crack
- The international standard design
- 0%-100% 16 Bit dimming technology

GRAZE i36 white/ i124 Dynamic white | LP714SCT/SWT/CAT

As a new generation of linear wall washer, AM713 is seamless, perfectly stitching designed LED fixture with a length of 915 millimeter, with power supply and driver built in lamp body, integrated power and DMX signal cable. Flexible lighting device for application in a variety of building structures.



Technical data

	GRAZE i36 white	GRAZE i36 white	GRAZE i124 Dynamic white
	LP714SCT	LP714SWT	LP714CAT
■ Input Voltage	AC100~277V	AC100~277V	AC100~277V
■ Max. Power	80w	80w	80W
■ Power Factor	>0.9	>0.9	>0.9
■ Lumen	4639lm	4408lm	7031lm
■ Peak Intensity	54560cd (15°)	51832cd (15°)	62000cd (15°)
■ LED Qty	48pcs cool white	48pcs warm white	48x (Amber + Cool white)
■ Optics	15° (10°, 25°, 30°, 60°, 15°x30°, 60°x15°)	15° (10°, 25°, 30°, 60°, 15°x30°, 60°x15°)	15° (10°, 25°, 30°, 60°, 15°x30°, 60°x15°)
■ DMX control channels	0-100%	0-100%	0-100%
■ Interface	DMX512, RDM	DMX512, RDM	DMX512, RDM
■ Controllable sections	1	1	1
■ Mains connection			
■ Data connection	Integrated power and signal cable		
■ IP Rated	IP66	IP66	IP66
■ Operation temperature	-40°C~45°C (operating) -20°C~45°C (startup)	-40°C~45°C (operating) -20°C~45°C (startup)	-40°C~45°C (operating) -20°C~45°C (startup)
■ Housing material	Extruded aluminium	Extruded aluminium	Extruded aluminium
■ Housing color	Silver	Silver	Silver
■ Dimensions	1220x62x84mm	1220x62x84mm	1220x62x84mm
■ Weight	4.8kg	4.8kg	4.8kg

- Built-in power supply
- RDM bidirectional feedback function
- Seamless light splicing; no light crack
- The international standard design
- 0%-100% 16 Bit dimming technology



Intelligent Multicolor



LP781XCET
TERRA 12Q

Intelligent White



LP786SCT/SWT
TERRA i12white



LP784XCET
TETRA 3Q



LP785SCT/SWT
TETRA i3white



LP761XCET
AURORA 12Q



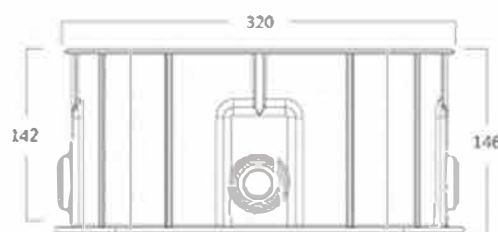
LP761SCT/SWT
AURORA i12 white

TERRA 12Q | LP781XCET

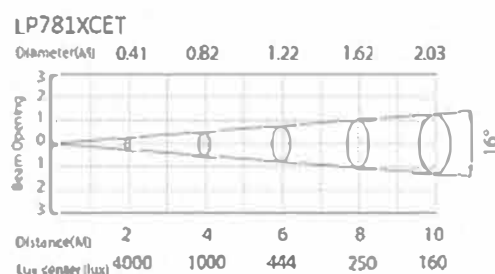
Designed for in-ground installations, the TERRA 36/12Q with customized optics in order to create the optimum in optical performance, delivering both perfect color mixing and high output. All-weather IP67 housing allows the TERRA 36/12 to be installed in a wide range of outdoor/indoor surface washing application.



DIMENSIONS



ILLUMINANCE DIAGRAM



Technical data

TERRA 12Q	LP781XCET
Input Voltage	AC100~240V
Max. Power	46W
Power Factor	>0.6
Lumen	1700lm
Peak Intensity	16000cd(16°)
LED Qty	12xMulti chip RGBW
Optics	16°
DMX control channels	0-100% dimming RGBW
Interface	DMX512, RDM
Controllable sections	2
Mains connection	3m cable(input only)
Data connection	3m cable(input+output)
IP Rated	IP67, IK10
Operation temperature	-40°C~45°C (operating) -20°C~45°C (startup)
Housing material	Die-cast aluminium
Housing color	Black
Dimensions	Ø320x146mm
Weight	8kg

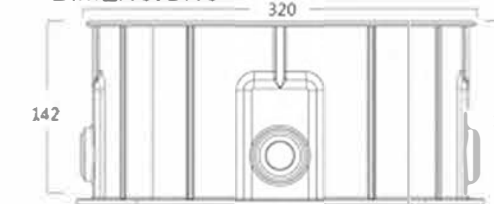
- Optional RGB/RGBW LED chips
- Two separate optical module design allows more flexible light direction
- Over 3000KG static load-bearing and IK10 protection

TERRA i12white | LP786SCT./SWT

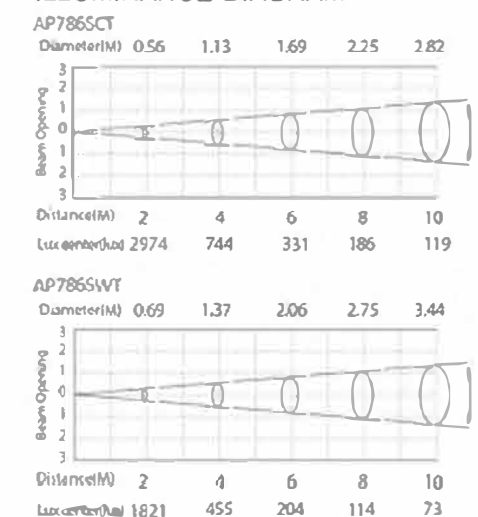
Designed for in-ground installations, the TERRA i12 white with customized optics in order to create the optimum in optical performance, delivering both perfect color mixing and high output. All-weather IP67 housing allows the TERRA 36/12 to be installed in a wide range of outdoor/indoor surface washing application.



DIMENSIONS



ILLUMINANCE DIAGRAM



Technical data

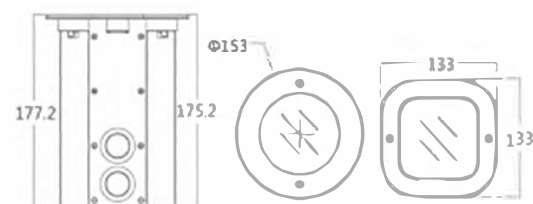
TERRA i12white	LP786SCT	LP786SWT
Input Voltage	AC100~240V	AC100~240V
Max. Power	28W	28W
Power Factor	>0.6	>0.6
Lumen	1553lm	1300lm
Peak Intensity	11903cd(16°)	8231cd(16°)
LED Qty	12pcs cool white	12pcs warm white
Optics	16°	16°
DMX control channels	0-100%	0-100%
Interface	DMX512	DMX512
Controllable sections	1	1
Mains connection	3m cable(input only)	3m cable(input only)
Data connection	3m cable(input+output)	3m cable(input+output)
IP Rated	IP67, IK10	IP67, IK10
Operation temperature	-40°C~45°C (operating) -20°C~45°C (startup)	-40°C~45°C (operating) -20°C~45°C (startup)
Housing material	Die-cast aluminium	Die-cast aluminium
Housing color	Black	Black
Dimensions	Ø320x146mm	Ø320x146mm
Weight	8kg	8kg

- Optional /Warm white/Cool white LED chips
- Two separate optical module design allows more flexible light direction
- Over 3000KG static load-bearing and IK10 protection

TETRA 3Q | LP784XCET

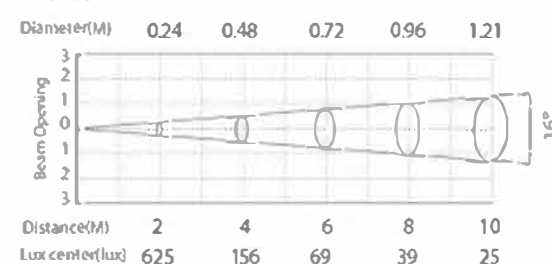
Designed for in-ground or in-wall installations, the TETRA 9/3 LEDs with customized optics in order to create the optimum in optical performance, delivering both excellent color mixing and high output. The TETRA 9/3 is engineered with internal driver and individual fixture addressing to achieve the dynamic lighting control. All-weather IP67 housing allows the TETRA 9/3 to be installed in a wide range of outdoor/indoor surface washing application.

DIMENSIONS



ILLUMINANCE DIAGRAM

LP784XCET



Technical data

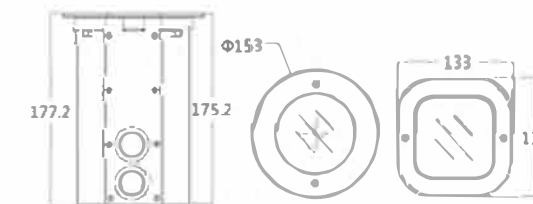
TETRA 3Q	LP784XCET
■ Input Voltage	AC100~240V
■ Max. Power	12W
■ Power Factor	>0.6
■ Lumen	550lm
■ Peak Intensity	2500cd(16°)
■ LED Qty	3xMultichip RGBW
■ Optics	16°
■ DMX control channels	RGBW 0-100%
■ Interface	DMX512、RDM
■ Controllable sections	1
■ Mains connection	3m cable(input only)
■ Data connection	3m cable(input+output)
■ IP Rated	IP67, IK10
■ Operation temperature	-40°C~45°C (operating) -20°C~45°C (startup)
■ Housing material	Die-cast aluminium
■ Housing color	Black
■ Dimensions	Φ153x175.2mm (round) 133x175.2mm (square)
■ Weight	2kg

- Optional RGB/RGBW LED chips
- Integrated design with internal power supply and driver
- Over 3000KG static load-bearing and IK10 protection

TETRA i3white | LP785SCT/SWT

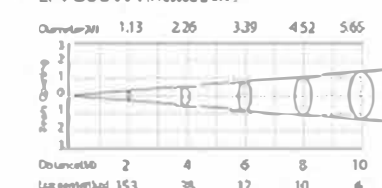
Designed for in-ground or in-wall installations, the TETRA i3 white with customized optics in order to create the optimum in optical performance, delivering both excellent color mixing and high output. The TETRA 9/3 is engineered with internal driver and individual fixture addressing to achieve the dynamic lighting control. All-weather IP67 housing allows the TETRA 9/3 to be installed in a wide range of outdoor/indoor surface washing application.

DIMENSIONS

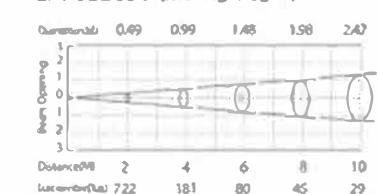


ILLUMINANCE DIAGRAM

LP785SCT (Frosted glass)



LP785SWT (All through the glass)



Technical data

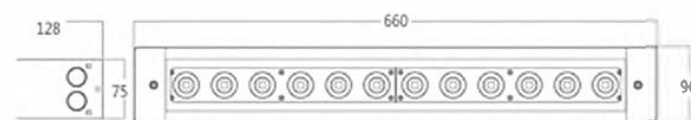
TETRA i3 white	LP785SCT	LP785SWT
■ Input Voltage	AC100~240V	AC100~240V
■ Max. Power	12W	12W
■ Power Factor	>0.6	>0.6
■ Lumen	595lm	550lm
■ Peak Intensity	3628cd(16°)	2916cd(16°)
■ LED Qty	3pcs cool white	3pcs warm white
■ Optics	16°	16°
■ DMX control channels	0-100%	0-100%
■ Interface	DMX512	DMX512
■ Controllable sections	1	1
■ Mains connection	3m cable(input only)	3m cable(input only)
■ Data connection	3m cable(input+output)	3m cable(input+output)
■ IP Rated	IP67, IK10	IP67, IK10
■ Operation temperature	-40°C~45°C (operating) -20°C~45°C (startup)	-40°C~45°C (operating) -20°C~45°C (startup)
■ Housing material	Die-cast aluminium	Die-cast aluminium
■ Housing color	Black	Black
■ Dimensions	Φ153x175.2mm (round) 133x175.2mm (square)	Φ153x175.2mm (round) 133x175.2mm (square)
■ Weight	2kg	2kg

- Optional RGB/Warm white/Cool white LED chips
- Integrated design with internal power supply and driver
- Over 3000KG static load-bearing and IK10 protection

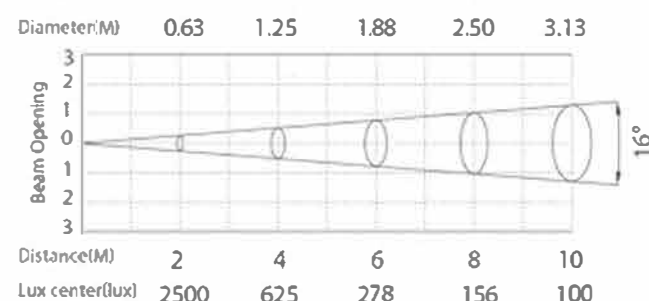
AURORA 12Q | LP761XCET

Designed for in-ground or in-wall installations, the AURORA i12 uses tri-color LEDs or with customized optics in order to create the optimum in optical performance, delivering both excellent color mixing and high output. All-weather IP67 housing allows the AURORA i12 to be installed in a wide range of outdoor/indoor surface washing application.

DIMENSIONS



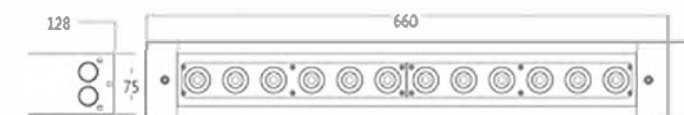
ILLUMINANCE DIAGRAM



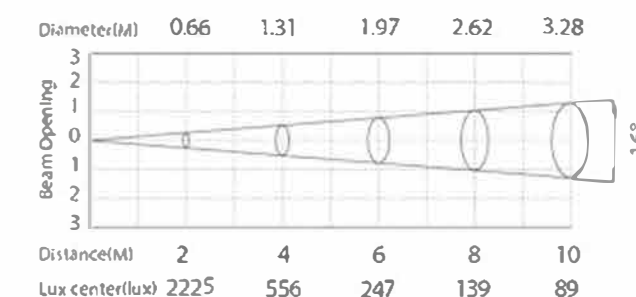
AURORA i12 white | LP761SCT /SWT

Designed for in-ground or in-wall installations, the AURORA i12 uses of white light with customized optics in order to create the optimum in optical performance, delivering both excellent color mixing and high output. All-weather IP67 housing allows the AURORA i12 to be installed in a wide range of outdoor/indoor surface washing application.

DIMENSIONS



ILLUMINANCE DIAGRAM



Technical data

AURORA 12Q	LP761XCET
Input Voltage	AC100~240V
Max. Power	43W
Power Factor	>0.6
Lumen	1500lm
Peak Intensity	10000cd
LED Qty	12xMultichip RGBW
Optics	16°
DMX control channels	RGBW 0-100%
Interface	DMX512, RDM
Controllable sections	2
Mains connection	3m cable(input only)
Data connection	3m cable(input+output)
IP Rated	IP67
Operation temperature	-40°C~45°C (operating) -20°C~45°C (s tartup)
Housing material	Extruded aluminium
Housing color	Silver
Dimensions	660x128x96mm
Weight	3.5kg

● Optional RGB/RGBW chips

● Extruded aluminium material and stainless steel surface cover

Technical data

AURORA i12 white	LP761SCT	LP761SWT
Input Voltage	AC100~240V	AC100~240V
Max. Power	30W	30W
Power Factor	>0.6	>0.6
Lumen	1600lm	1512lm
Peak Intensity	8966cd	6276cd
LED Qty	12pcs cool white	12pcs warm white
Optics	16°	16°
DMX control channels	0-100%	0-100%
Interface	DMX	DMX
Controllable sections	1	1
Mains connection	3m cable(input only)	3m cable(input only)
Data connection	3m cable(input+output)	3m cable(input+output)
IP Rated	IP67	IP67
Operation temperature	-40°C~45°C (operating) -20°C~45°C (startup)	-40°C~45°C (operating) -20°C~45°C (startup)
Housing material	Extruded aluminium	Extruded aluminium
Housing color	Silver	Silver
Dimensions	660x128x96mm	660x128x96mm
Weight	3.5kg	3.5kg

● Optional RGB/Warm white/Cool white LED chips

● Extruded aluminium material and stainless steel surface cover

Pixel Line :

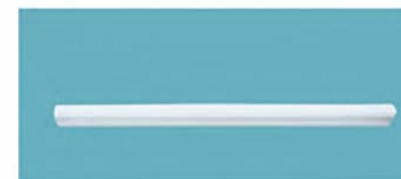
Lumeplus pixel effect light AI series is a luminaire that can display text patterns and dynamic effects by systematically controlling and converting the colors of different pixel points to form points, lines, and surfaces. The installation density of the lights can be arbitrarily combined and spliced according to building outlines, design requirements, etc. When the pixel points are dense enough and sufficient, even the effect of video display on the LED display can be achieved. This series is lightness, low power consumption, stylish appearance, equipped with rich segmentation control function, can achieve perfect dynamic effects, support RDM control protocol and automatic allocation of address code function, convenient mounting bracket, easy installation and debugging of the project and maintenance, reduce maintenance costs. The complete product line can meet the needs of various projects. It is designed for outdoor lighting projects with hotels, shopping malls, buildings, square landscapes, municipalities, bridges, etc.



LP771ET2
Vi-Line 101



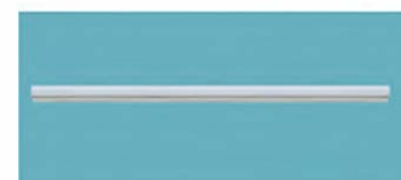
LP773ET2
Vi-Line 301



LP775ET2-
DK/AI775ET2-GK Vi-Line
303



LP777ET2-DK/AI777ET2-G
K Vi-Line 305



LP779ET2
Vi-Line 307



LP791ET
Vi-Dot 5T



LP793ET
Vi-Dot 10T



LP795ET
Vi-Dot 15T



LP772ET2
Vi-Line 102



LP774ET2
Vi-Line 302



LP776ET2-DK/LP776ET2-
GK Vi Line 304



LP778ET2-DK/AI778ET2-
GK-Vi Line 306



LP792ET
Vi-Dot 5T



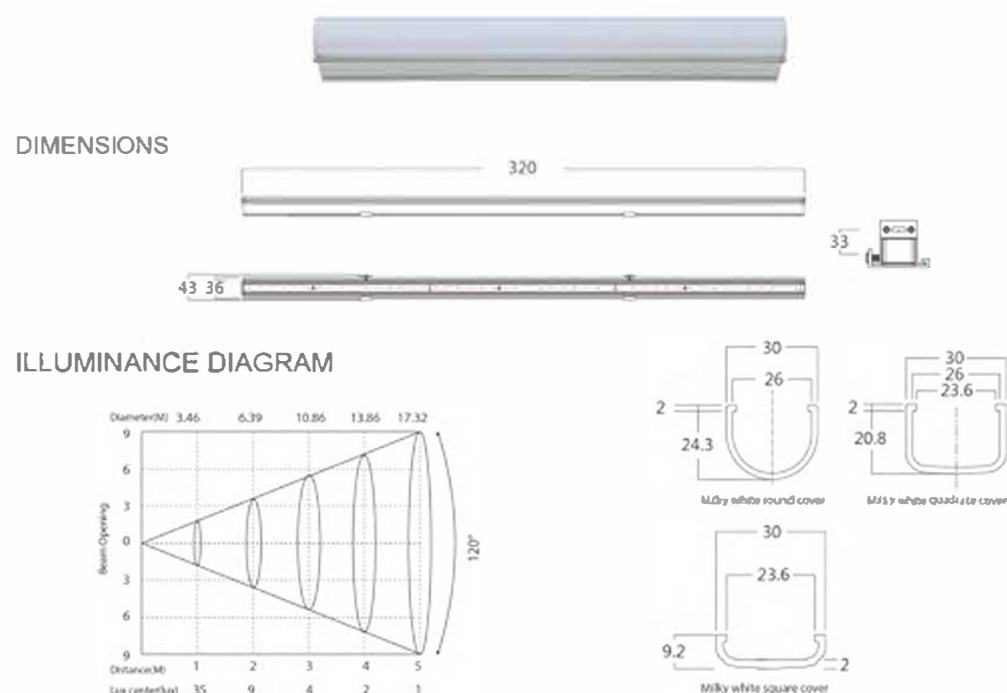
LP794ET
Vi-Dot 10T



LP796ET
Vi-Dot 15T

Vi-Line 101 | LP771ET2

Vi-Line series the linear pixel effect lights, can achieve the effect from the point to surface, through systematically changing the color of the pixel. The lamp is small in size, light in weight, able to achieve seamless stitching, and capable for any splicing for visual building contours and design requirements. With flexible section control function, it is possible to realize colorful pixel effect for the hotels, shopping malls, buildings, square landscapes, municipals, bridges and other outdoor landscape lighting projects to provide new lighting solutions.



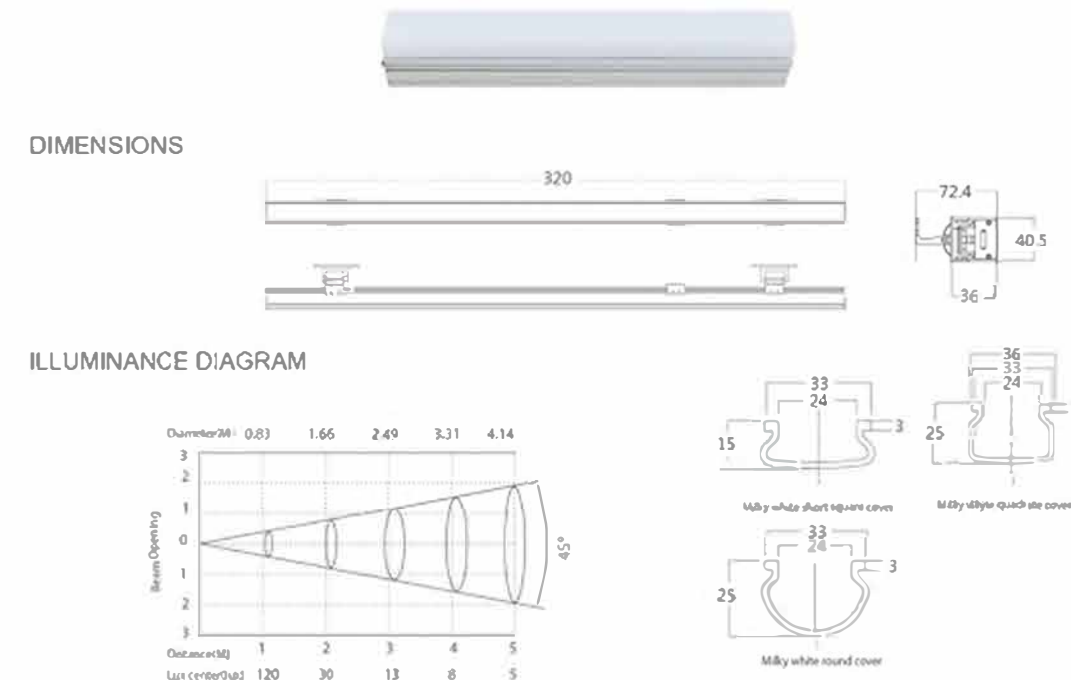
Technical data

Vi-Line 101	LP771 ET2
Input Voltage	DC 24V
Max. Power	4.5W
Power Factor	>0.9
Lumen	95lm
Peak Intensity	35 cd (120°)
LED Qty	16xtri-color RGB
Optics	120°
DMX control channels	0-100%
Interface	DMX512, RDM
Controllable sections	16
Mains connection	Integrated power and signal cable
Data connection	
IP Rated	
Operation temperature	-40°C~45°C (operating)
	-20°C~45°C (startup)
Housing material	Extruded aluminium
Housing color	Silver
Dimensions	320x31x34.7mm
Weight	0.4kg

- 0% - 100% 16Bit dimming technology
- Seamless light splicing, no dark area
- Flexible section control, to achieve brilliant pixel effect
- RDM bidirectional feedback function
- Automatically DMX addressing function

Vi-Line 102 | LP772ET2

Vi-Line series the linear pixel effect lights, can achieve the effect from the point to surface, through systematically changing the color of the pixel. The lamp is small in size, light in weight, able to achieve seamless stitching, and capable for any splicing for visual building contours and design requirements. With flexible section control function, it is possible to realize colorful pixel effect for the hotels, shopping malls, buildings, square landscapes, municipals, bridges and other outdoor landscape lighting projects to provide new lighting solutions.



Technical data

Vi-Line 102	LP772ET2
Input Voltage	DC 24V
Max. Power	4.5W
Power Factor	>0.9
Lumen	95lm
Peak Intensity	120 cd (45°)
LED Qty	16xtri-color RGB
Optics	30°, 45°, 60°, 30°x45°
DMX control channels	0-100%
Interface	DMX512, RDM
Controllable sections	8
Mains connection	Integrated power and signal cable
Data connection	
IP Rated	
Operation temperature	-40°C~45°C (operating)
	-20°C~45°C (startup)
Housing material	Extruded aluminium
Housing color	Silver
Dimensions	320x40.5x72.4mm
Weight	0.45kg

- 0% - 100% 16Bit dimming technology
- Seamless light splicing, no dark area
- Flexible section control, to achieve brilliant pixel effect
- RDM bidirectional feedback function
- Automatically DMX addressing function

Vi-Line 301 | LP773ET2

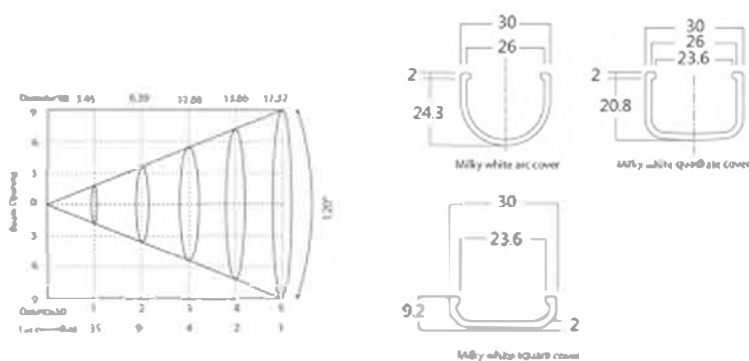
Vi-Line series the linear pixel effect lights. can achieve the effect from the point to surface, through systematically changing the color of the pixel. The lamp is small in size, light in weight, able to achieve seamless stitching, and capable for any splicing for visual building contours and design requirements. With flexible section control function, it is possible to realize colorful pixel effect for the hotels, shopping malls, buildings, square landscapes, municipals, bridges and other outdoor landscape lighting projects to provide new lighting solutions.



DIMENSIONS



ILLUMINANCE DIAGRAM



Technical data

Vi-Line 301	LP773ET2
Input Voltage	DC 24V
Max. Power	13W
Power Factor	>0.9
Lumen	280lm
Peak Intensity	95 cd (120°)
LED Qty	48xtri-color RGB
Optics	120°
DMX control channels	0-100%
Interface	DMX512, RDM
Controllable sections	24
Mains connection	Integrated power and signal cable
Data connection	
IP Rated	IP66
Operation temperature	-40°C~45°C (operating) -20°C~45°C (startup)
Housing material	Extruded aluminium
Housing color	Silver
Dimensions	960x43x33mm
Weight	0.8kg

- 0% -100% 16Bit dimming technology
- Flexible section control, to achieve brilliant pixel effect
- Seamless light splicing, no dark area
- RDM bidirectional feedback function
- Automatically DMX addressing function

Vi-Line 302 | LP774ET2

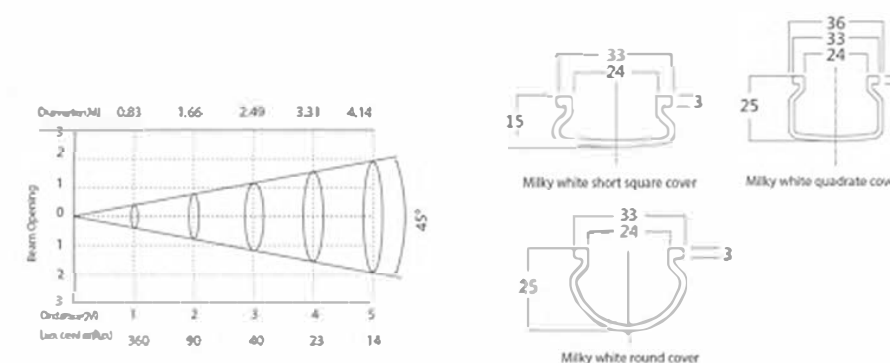
Vi-Line series the linear pixel effect lights. can achieve the effect from the point to surface, through systematically changing the color of the pixel. The lamp is small in size, light in weight, able to achieve seamless stitching, and capable for any splicing for visual building contours and design requirements. With flexible section control function, it is possible to realize colorful pixel effect for the hotels, shopping malls, buildings, square landscapes, municipals, bridges and other outdoor landscape lighting projects to provide new lighting solutions.



DIMENSIONS



ILLUMINANCE DIAGRAM



Technical data

Vi-Line 302	LP774ET2
Input Voltage	DC 24V
Max. Power	13W
Power Factor	>0.9
Lumen	280lm
Peak Intensity	360cd (45°)
LED Qty	48xtri-color RGB
Optics	30°, 45°, 60°, 30°x45°
DMX control channels	0-100%
Interface	DMX512, RDM
Controllable sections	24
Mains connection	Integrated power and signal cable
Data connection	
IP Rated	IP66
Operation temperature	-40°C~45°C (operating) -20°C~45°C (startup)
Housing material	Extruded aluminium
Housing color	Silver
Dimensions	960x40.5x72.4mm
Weight	1.35kg

- 0% -100% 16Bit dimming technology
- Flexible section control, to achieve brilliant pixel effect
- Seamless light splicing, no dark area
- RDM bidirectional feedback function
- Automatically DMX addressing function

Vi-Line 303 | LP775ET2-DK

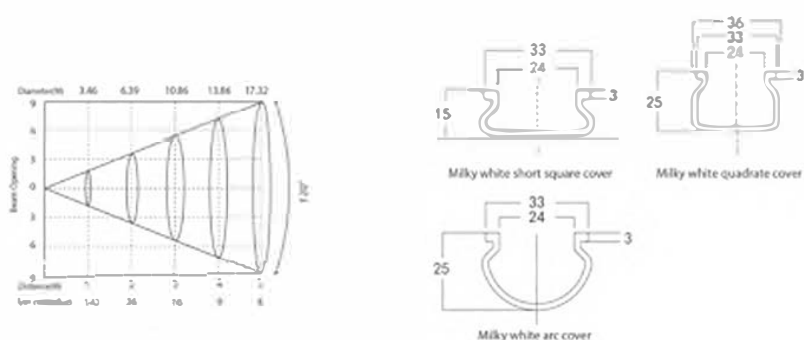
Vi-Line series the linear pixel effect lights. can achieve the effect from the point to surface, through systematically changing the color of the pixel. The lamp is small in size, light in weight, able to achieve seamless stitching, and capable for any splicing for visual building contours and design requirements. With flexible section control function, it is possible to realize colorful pixel effect for the hotels, shopping malls, buildings, square landscapes, municipals, bridges and other outdoor landscape lighting projects to provide new lighting solutions.



DIMENSIONS



ILLUMINANCE DIAGRAM



Technical data

Vi-Line 303	LP775ET2-DK
■ Input Voltage	DC 24V
■ Max. Power	18W
■ Power Factor	>0.9
■ Lumen	420lm
■ Peak Intensity	142cd (120°)
■ LED Qty	48xtri-color RGB
■ Optics	120°
■ DMX control channels	0-100%
■ Interface	DMX512, RDM
■ Controllable sections	8
■ Mains connection	Integrated power and signal cable
■ Data connection	
■ IP Rated	IP66
■ Operation temperature	-40°C~45°C (operating) -20°C~45°C (startup)
■ Housing material	Extruded aluminium
■ Housing color	Silver
■ Dimensions	960x43x33mm
■ Weight	0.8kg

- 0% -100% 16Bit dimming technology
- Flexible section control, to achieve brilliant pixel effect
- Seamless light splicing, no dark area
- RDM bidirectional feedback function
- Automatically DMX addressing function

Vi-Line 303 | LP775ET2-GK

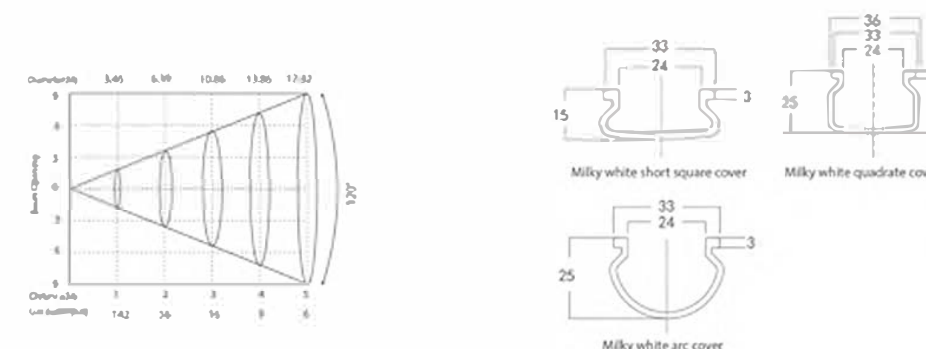
Vi-Line series the linear pixel effect lights. can achieve the effect from the point to surface, through systematically changing the color of the pixel. The lamp is small in size, light in weight, able to achieve seamless stitching, and capable for any splicing for visual building contours and design requirements. With flexible section control function, it is possible to realize colorful pixel effect for the hotels, shopping malls, buildings, square landscapes, municipals, bridges and other outdoor landscape lighting projects to provide new lighting solutions.



DIMENSIONS



ILLUMINANCE DIAGRAM



Technical data

Vi-Line 303	LP77 SET2-GK
■ Input Voltage	AC 100~277V
■ Max. Power	18W
■ Power Factor	>0.9
■ Lumen	420lm
■ Peak Intensity	142cd (120°)
■ LED Qty	48xtri-color RGB
■ Optics	120°
■ DMX control channels	0-100%
■ Interface	DMX512, RDM
■ Controllable sections	8
■ Mains connection	Integrated power and signal cable
■ Data connection	
■ IP Rated	IP66
■ Operation temperature	-40°C~45°C (operating) -20°C~45°C (startup)
■ Housing material	Extruded aluminium
■ Housing color	Silver
■ Dimensions	960x43x33mm
■ Weight	1kg

- 0% -100% 16Bit dimming technology
- Flexible section control, to achieve brilliant pixel effect
- Seamless light splicing, no dark area
- RDM bidirectional feedback function
- Automatically DMX addressing function

Vi-Line 304 | LP776ET2-DK

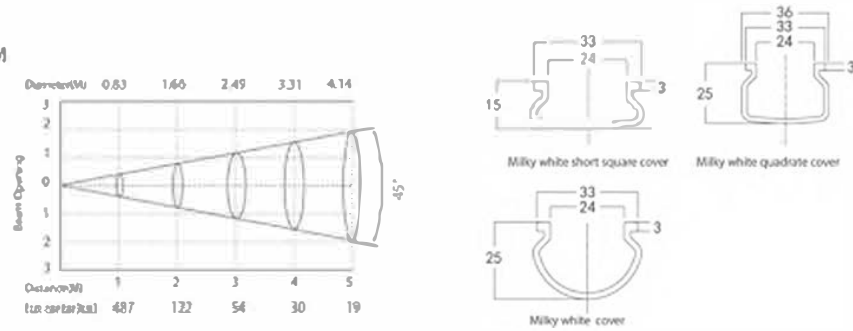
Vi-Line series the linear pixel effect lights, can achieve the effect from the point to surface, through systematically changing the color of the pixel. The lamp is small in size, light in weight, able to achieve seamless stitching, and capable for any splicing for visual building contours and design requirements. With flexible section control function, it is possible to realize colorful pixel effect for the hotels, shopping malls, buildings, square landscapes, municipals, bridges and other outdoor landscape lighting projects to provide new lighting solutions.



DIMENSIONS



ILLUMINANCE DIAGRAM



Technical data

Vi-Line 304	LP776ET2-DK
Input Voltage	DC 24V
Max. Power	18W
Power Factor	>0.9
Lumen	420lm
Peak Intensity	487cd (45°)
LED Qty	48xtri-color RGB
Optics	30°、45°、60°、30°x45°
DMX control channels	0-100%
Interface	DMX512、RDM
Controllable sections	8
Mains connection	Integrated power and signal cable
Data connection	
IP Rated	
Operation temperature	-40°C~45°C (operating) -20°C~45°C (startup)
Housing material	Extruded aluminium
Housing color	Silver
Dimensions	960x40.5x72.4mm
Weight	1.35kg

- 0% - 100% 16Bit dimming technology
- Flexible section control, to achieve brilliant pixel effect
- Seamless light splicing, no dark area
- RDM bidirectional feedback function
- Automatically DMX addressing function

Vi-Line 304 | LP776ET2-GK

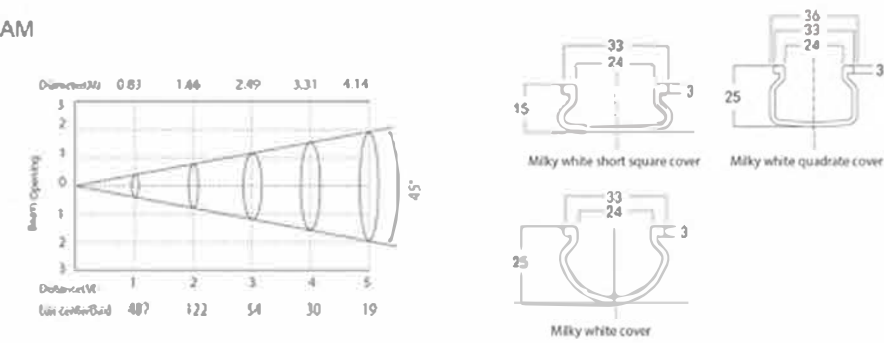
Vi-Line series the linear pixel effect lights, can achieve the effect from the point to surface, through systematically changing the color of the pixel. The lamp is small in size, light in weight, able to achieve seamless stitching, and capable for any splicing for visual building contours and design requirements. With flexible section control function, it is possible to realize colorful pixel effect for the hotels, shopping malls, buildings, square landscapes, municipals, bridges and other outdoor landscape lighting projects to provide new lighting solutions.



DIMENSIONS



ILLUMINANCE DIAGRAM



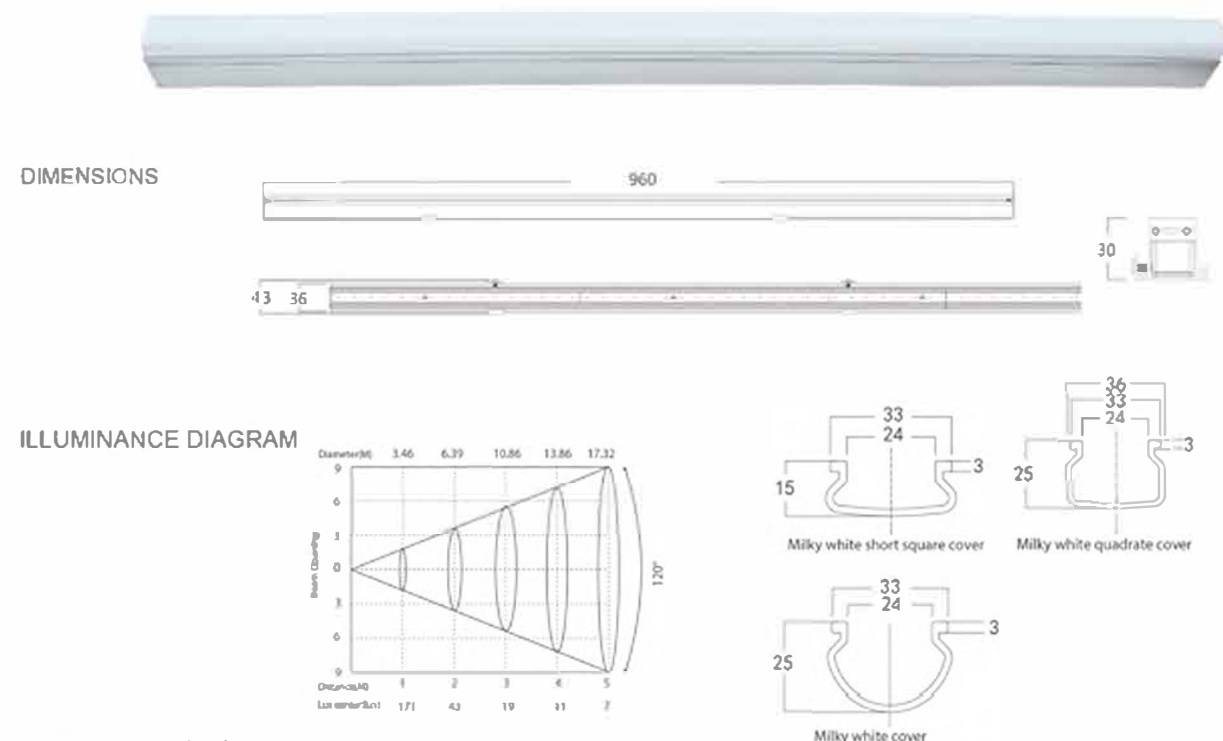
Technical data

Vi-Line 304	LP776ET2-GK
Input Voltage	AC100~277V
Max. Power	18W
Power Factor	>0.9
Lumen	420m
Peak Intensity	487cd (45°)
LED Qty	48xtri-color RGB
Optics	30°、45°、60°、30°x45°
DMX control channels	0-100%
Interface	DMX512、RDM
Controllable sections	8
Mains connection	Integrated power and signal cable
Data connection	
IP Rated	
Operation temperature	-40°C~45°C (operating) -20°C~45°C (startup)
Housing material	Extruded aluminium
Housing color	Silver
Dimensions	960x40.5x72.4mm
Weight	1.55kg

- 0% - 100% 16Bit dimming technology
- Flexible section control, to achieve brilliant pixel effect
- Seamless light splicing, no dark area
- RDM bidirectional feedback function
- Automatically DMX addressing function

Vi-Line 305 | LP777ET2-DK

Vi-Line series the linear pixel effect lights. can achieve the effect from the point to surface, through systematically changing the color of the pixel. The lamp is small in size, light in weight, able to achieve seamless stitching, and capable for any splicing for visual building contours and design requirements. With flexible section control function, it is possible to realize colorful pixel effect for the hotels, shopping malls, buildings, square landscapes, municipals, bridges and other outdoor landscape lighting projects to provide new lighting solutions.



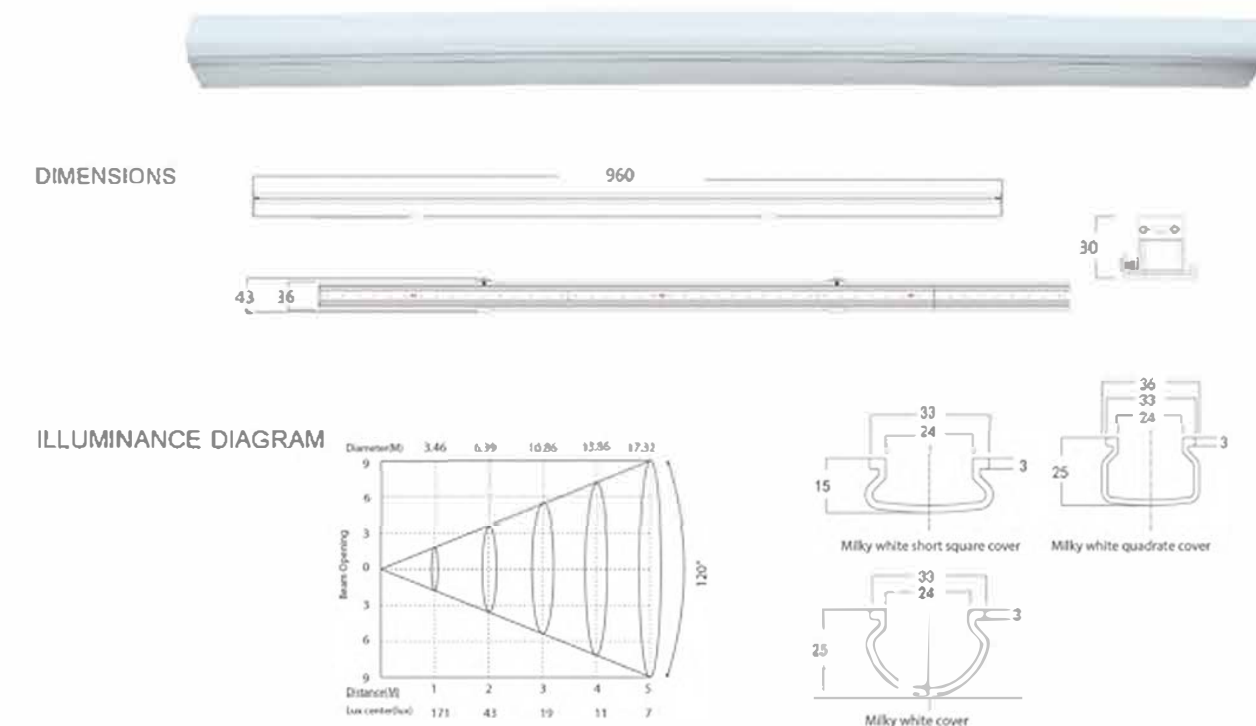
Technical data

Vi-Line 305	LP777ET2-DK
Input Voltage	DC 24V
Max. Power	24W
Power Factor	>0.9
Lumen	500lm
Peak Intensity	171cd (120°)
LED Qty	48xtri-color RGB
Optics	120°
DMX control channels	0-100%
Interface	DMX512 · RDM
Controllable sections	8
Mains connection	Integrated power and signal cable
Data connection	
IP Rated	
Operation temperature	-40°C~45°C (operating) -20°C~45°C (startup)
Housing material	Extruded aluminium
Housing color	Silver
Dimensions	960x43x33mm
Weight	0.8kg

- 0% - 100% 16Bit dimming technology
- Flexible section control, to achieve brilliant pixel effect
- Seamless light splicing, no dark area
- RDM bidirectional feedback function
- Automatically DMX addressing function

Vi-Line 305 | LP777ET2-GK

Vi-Line series the linear pixel effect lights. can achieve the effect from the point to surface, through systematically changing the color of the pixel. The lamp is small in size, light in weight, able to achieve seamless stitching, and capable for any splicing for visual building contours and design requirements. With flexible section control function, it is possible to realize colorful pixel effect for the hotels, shopping malls, buildings, square landscapes, municipals, bridges and other outdoor landscape lighting projects to provide new lighting solutions.



Technical data

Vi-Line 305	LP777ET2-GK
Input Voltage	AC100~277V
Max. Power	24W
Power Factor	>0.9
Lumen	500lm
Peak Intensity	171cd (120°)
LED Qty	48xtri-color RGB
Optics	120°
DMX control channels	0-100%
Interface	DMX512 · RDM
Controllable sections	8
Mains connection	Integrated power and signal cable
Data connection	
IP Rated	
Operation temperature	-40°C~45°C (operating) -20°C~45°C (startup)
Housing material	Extruded aluminium
Housing color	Silver
Dimensions	960x43x33mm
Weight	1kg

- 0% - 100% 16Bit dimming technology
- Flexible section control, to achieve brilliant pixel effect
- Seamless light splicing, no dark area
- RDM bidirectional feedback function
- Automatically DMX addressing function

Vi-Line 306 | LP778ET2-DK

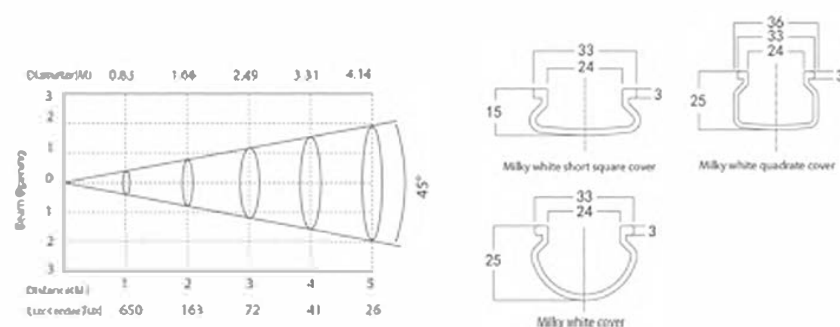
Vi-Line series the linear pixel effect lights, can achieve the effect from the point to surface, through systematically changing the color of the pixel. The lamp is small in size, light in weight, able to achieve seamless stitching, and capable for any splicing for visual building contours and design requirements. With flexible section control function, it is possible to realize colorful pixel effect for the hotels, shopping malls, buildings, square landscapes, municipals, bridges and other outdoor landscape lighting projects to provide new lighting solutions.



DIMENSIONS



ILLUMINANCE DIAGRAM



Technical data

Vi-Line 306	LP778ET2-DK
Input Voltage	DC 24V
Max. Power	24W
Power Factor	>0.9
Lumen	500lm
Peak Intensity	650cd (45°)
LED Qty	48xtri-color RGB
Optics	30°, 45°, 60°, 30°x45°
DMX control channels	0-100%
Interface	DMX512, RDM
Controllable sections	8
Mains connection	Integrated power and signal cable
Data connection	
IP Rated	
Operation temperature	-40°C~45°C (operating) -20°C~45°C (startup)
Housing material	Extruded aluminium
Housing color	Silver
Dimensions	960x40.5x72.4
Weight	1.35kg

- 0% -100% 16Bit dimming technology
- Flexible section control, to achieve brilliant pixel effect
- Seamless light splicing, no dark area
- RDM bidirectional feedback function
- Automatically DMX addressing function

Vi-Line 306 | LP778ET2-GK

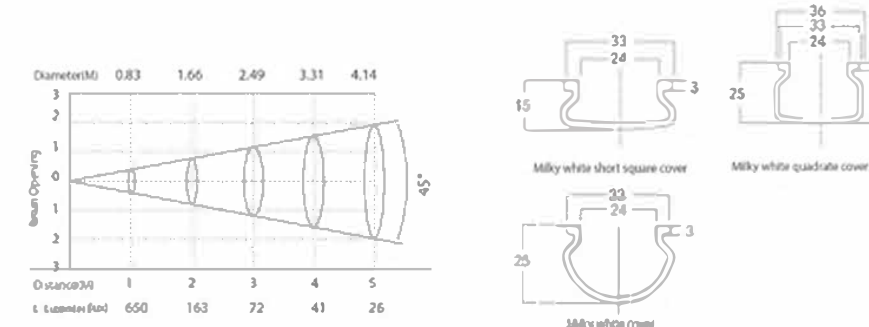
Vi-Line series the linear pixel effect lights, can achieve the effect from the point to surface, through systematically changing the color of the pixel. The lamp is small in size, light in weight, able to achieve seamless stitching, and capable for any splicing for visual building contours and design requirements. With flexible section control function, it is possible to realize colorful pixel effect for the hotels, shopping malls, buildings, square landscapes, municipals, bridges and other outdoor landscape lighting projects to provide new lighting solutions.



DIMENSIONS



ILLUMINANCE DIAGRAM



Technical data

Vi-Line 306	LP778ET2-GK
Input Voltage	AC100~277V
Max. Power	24W
Power Factor	>0.9
Lumen	500lm
Peak Intensity	650cd (45°)
LED Qty	48xtri-color RGB
Optics	30°, 45°, 60°, 30°x45°
DMX control channels	0-100%
Interface	DMX512, RDM
Controllable sections	8
Mains connection	Integrated power and signal cable
Data connection	
IP Rated	
Operation temperature	-40°C~45°C (operating) -20°C~45°C (startup)
Housing material	Extruded aluminium
Housing color	Silver
Dimensions	960x40.5x72.4mm
Weight	1.55kg

- 0% -100% 16Bit dimming technology
- Flexible section control, to achieve brilliant pixel effect
- Seamless light splicing, no dark area
- RDM bidirectional feedback function
- Automatically DMX addressing function

Vi-Line 307 | LP779ET2

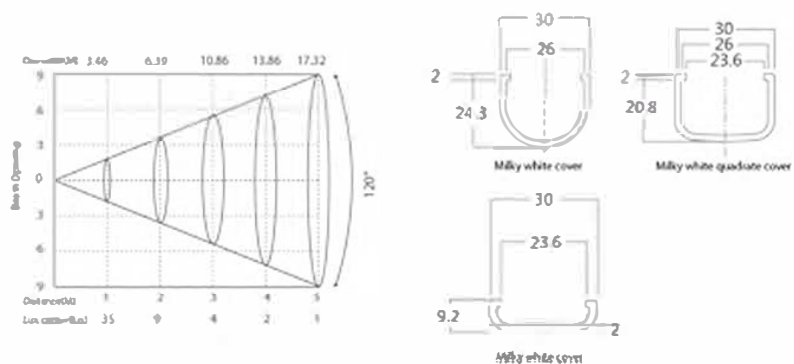
Vi-Line series the linear pixel effect lights. can achieve the effect from the point to surface, through systematically changing the color of the pixel. The lamp is small in size, light in weight, able to achieve seamless stitching, and capable for any splicing for visual building contours and design requirements. With flexible section control function, it is possible to realize colorful pixel effect for the hotels, shopping malls, buildings, square landscapes, municipals, bridges and other outdoor landscape lighting projects to provide new lighting solutions.



DIMENSIONS



ILLUMINANCE DIAGRAM



Technical data

Vi-Line 307	LP779ET2
■ Input Voltage	DC 24V
■ Max. Power	13W
■ Power Factor	>0.9
■ Lumen	280lm
■ Peak Intensity	95 cd (120°)
■ LED Qty	48xtri-color RGB
■ Optics	120°
■ DMX control channels	0-100%
■ Interface	DMX512, RDM
■ Controllable sections	48
■ Mains connection	Integrated power and signal cable
■ Data connection	
■ IP Rated	
■ Operation temperature	-40°C~45°C (operating)
	-20°C~45°C (startup)
■ Housing material	Extruded aluminium
■ Housing color	Silver
■ Dimensions	960x43x33mm
■ Weight	0.8kg

- 0% -100% 16bit dimming technology
- Flexible section control, to achieve brilliant pixel effect
- Seamless light splicing, no dark area
- RDM bidirectional feedback function
- Automatically DMX addressing function



Pixel Light

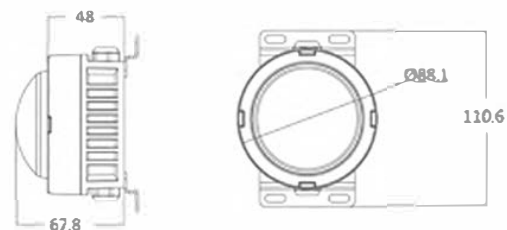
Pixel Light

Vi-Dot 5T | LP791ET

Vi-Dot series the pixel dot effect lights. can achieve the effect from the point to surface. through systematically changing the color of the pixel. The lamp is small in size, light in weight, it is possible to realize colorful pixel effect for the hotels, shopping malls, buildings, square landscapes, municipals, bridges, and other outdoor landscape lighting projects to provide new lighting solutions.

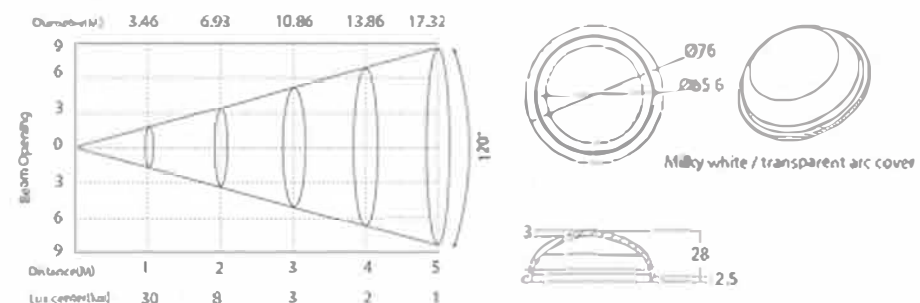


DIMENSIONS



ILLUMINANCE DIAGRAM

LP791ET



Technical data

Vi-Dot 5T	LP791ET
■ Input Voltage	DC 24V
■ Max. Power	5W
■ Power Factor	>0.9
■ Lumen	42.53lm
■ Peak Intensity	30cd (120°)
■ LED Qty	7xtri-color RGB
■ Optics	120°
■ DMX control channels	0-100%
■ Interface	DMX512, RDM
■ Controllable sections	1
■ Mains connection	Integrated power and signal cable
■ Data connection	
■ IP Rated	
■ Operation temperature	-40°C~45°C (operating) -20°C~45°C (startup)
■ Housing material	Die-cast aluminium
■ Housing color	Off-white (Gray, Black Optional)
■ Dimensions	111x88x68mm
■ Weight	0.4kg

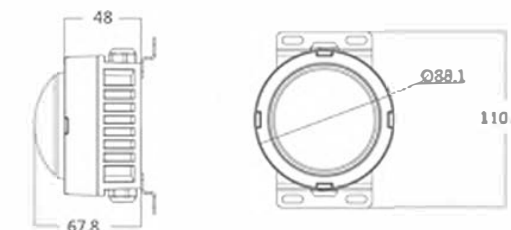
- 0% - 100% 16Bit dimming technology
- RDM bidirectional feedback function
- Automatically DMX addressing function

Vi-Dot 5T | LP792ET

Vi-Dot series the pixel dot effect lights. can achieve the effect from the point to surface. through systematically changing the color of the pixel. The lamp is small in size, light in weight, it is possible to realize colorful pixel effect for the hotels, shopping malls, buildings, square landscapes, municipals, bridges, and other outdoor landscape lighting projects to provide new lighting solutions.

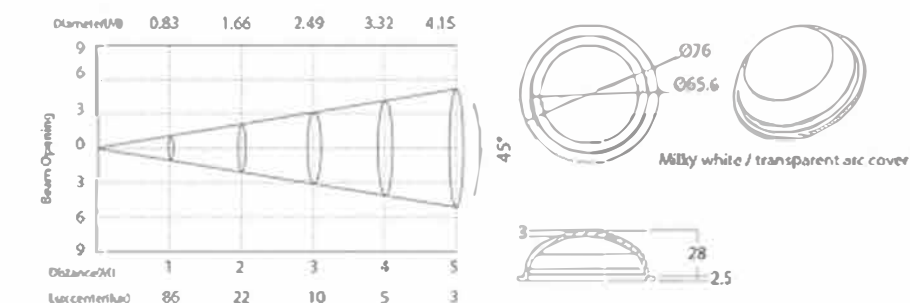


DIMENSIONS



ILLUMINANCE DIAGRAM

LP792ET



Technical data

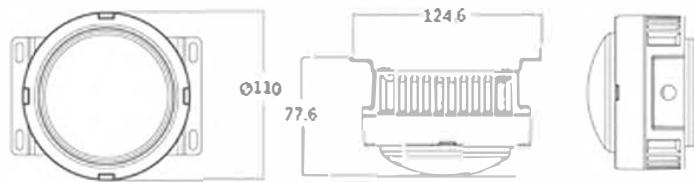
Vi-Dot 5T	LP792ET
■ Input Voltage	DC 24V
■ Max. Power	5W
■ Power Factor	>0.9
■ Lumen	42.55lm
■ Peak Intensity	87cd (30°)
■ LED Qty	7xtri-color RGB
■ Optics	30°, 45°, 60°, 30x45°
■ DMX control channels	0-100%
■ Interface	DMX512, RDM
■ Controllable sections	1
■ Mains connection	Integrated power and signal cable
■ Data connection	
■ IP Rated	
■ Operation temperature	-40°C~45°C (operating) -20°C~45°C (startup)
■ Housing material	Die-cast aluminium
■ Housing color	Off-white (Gray, Black Optional)
■ Dimensions	111x88x68mm
■ Weight	0.4kg

- 0% - 100% 16Bit dimming technology
- RDM bidirectional feedback function
- Automatically DMX addressing function

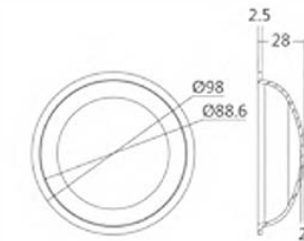
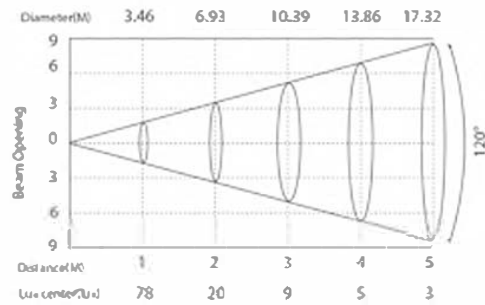
Vi-Dot 10T | LP793ET

Vi-Dot series the pixel dot effect lights. can achieve the effect from the point to surface. through systematically changing the color of the pixel. The lamp is small in size, light in weight, it is possible to realize colorful pixel effect for the hotels, shopping malls, buildings, square landscapes, municipals, bridges, and other outdoor landscape lighting projects to provide new lighting solutions.

DIMENSIONS



ILLUMINANCE DIAGRAM LP793ET



Milky white / transparent arc cover

Technical data

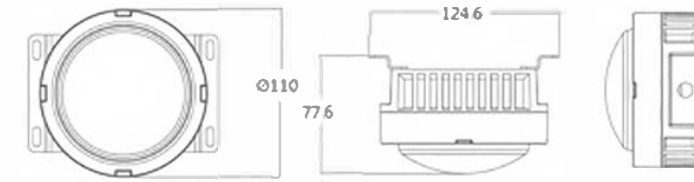
Vi-Dot 10T	LP793ET
■ Input Voltage	DC 24V
■ Max. Power	9W
■ Power Factor	>0.9
■ Lumen	147lm
■ Peak Intensity	78cd (120°)
■ LED Qty	16xtri-color RGB
■ Optics	120°
■ DMX control channels	0-100%
■ Interface	DMX512, RDM
■ Controllable sections	1
■ Mains connection	Integrated power and signal cable
■ Data connection	
■ IP Rated	
■ Operation temperature	-40°C~45°C (operating) -20°C~45°C (startup)
■ Housing material	Die-cast aluminium
■ Housing color	Off-white (Gray, Black Optional)
■ Dimensions	110x125x78mm
■ Weight	0.7kg

- 0% - 100% 16Bit dimming technology
- RDM bidirectional feedback function
- Automatically DMX addressing function

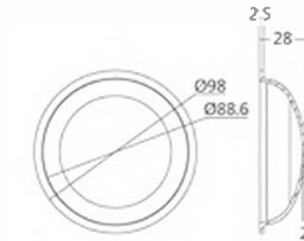
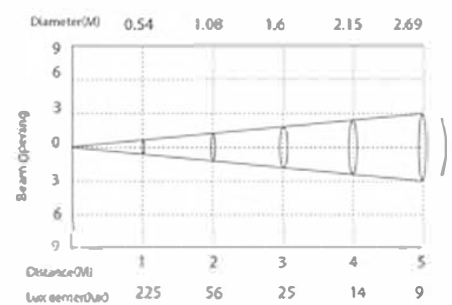
Vi-Dot 10T | LP794ET

Vi-Dot series the pixel dot effect lights. can achieve the effect from the point to surface. through systematically changing the color of the pixel. The lamp is small in size, light in weight, it is possible to realize colorful pixel effect for the hotels, shopping malls, buildings, square landscapes, municipals, bridges, and other outdoor landscape lighting projects to provide new lighting solutions.

DIMENSIONS



ILLUMINANCE DIAGRAM LP794ET



Milky white / transparent arc cover

Technical data

Vi-Dot 10T	LP794ET
■ Input Voltage	DC 24V
■ Max. Power	9W
■ Power Factor	>0.9
■ Lumen	148lm
■ Peak Intensity	225 cd (30°)
■ LED Qty	16xtri-color RGB
■ Optics	30°, 45°, 60°, 30x45°
■ DMX control channels	0-100%
■ Interface	DMX512, RDM
■ Controllable sections	1
■ Mains connection	Integrated power and signal cable
■ Data connection	
■ IP Rated	
■ Operation temperature	-40°C~45°C (operating) -20°C~45°C (startup)
■ Housing material	Die-cast aluminium
■ Housing color	Off-white (Gray, Black Optional)
■ Dimensions	110x125x78mm
■ Weight	0.7kg

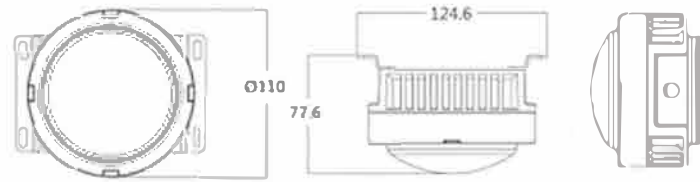
- 0% - 100% 16Bit dimming technology
- RDM bidirectional feedback function
- Automatically DMX addressing function

Vi-Dot 15T | LP795ET

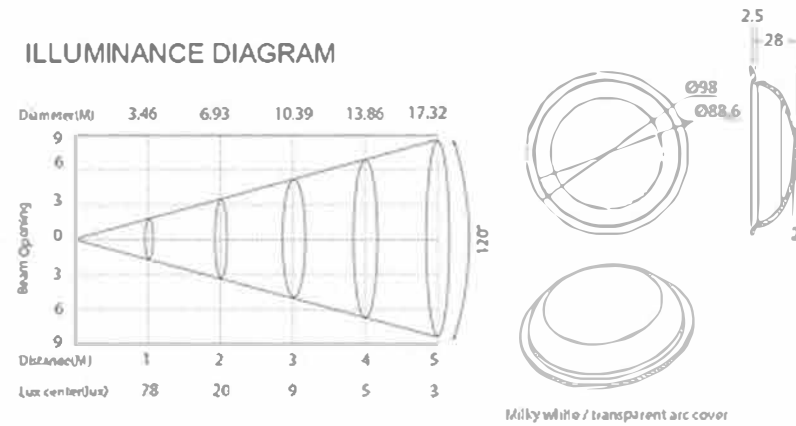
Vi-Dot series the pixel dot effect lights, can achieve the effect from the point to surface, through systematically changing the color of the pixel. The lamp is small in size, light in weight, it is possible to realize colorful pixel effect for the hotels, shopping malls, buildings, square landscapes, municipals, bridges, and other outdoor landscape lighting projects to provide new lighting solutions.



DIMENSIONS



ILLUMINANCE DIAGRAM



Technical data

Vi-Dot 15T	LP795ET
■ Input Voltage	DC 24V
■ Max. Power	13W
■ Power Factor	>0.9
■ Lumen	190lm
■ Peak Intensity	112cd (120°)
■ LED Qty	24xtri-color RGB
■ Optics	120°
■ DMX control channels	0-100%
■ Interface	DMX512, RDM
■ Controllable sections	1
■ Mains connection	Integrated power and signal cable
■ Data connection	
■ IP Rated	
■ Operation temperature	-40°C~45°C (operating) -20°C~45°C (startup)
■ Housing material	Die-cast aluminium
■ Housing color	Off-white (Gray, Black Optional)
■ Dimensions	110x126x78mm
■ Weight	0.7kg

● 0% - 100% 16Bit dimming technology

● RDM bidirectional feedback function

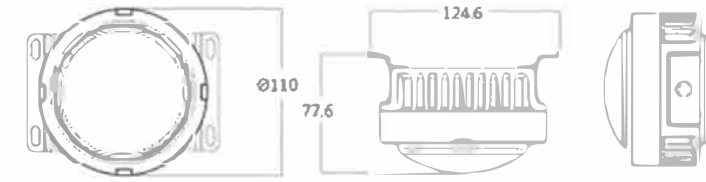
● Automatically DMX addressing function

Vi-Dot 15T | LP796ET

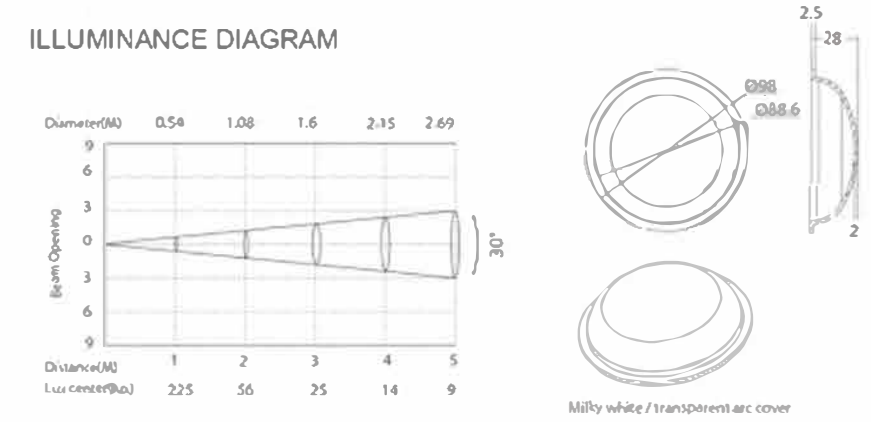
Vi-Dot series the pixel dot effect lights, can achieve the effect from the point to surface, through systematically changing the color of the pixel. The lamp is small in size, light in weight, it is possible to realize colorful pixel effect for the hotels, shopping malls, buildings, square landscapes, municipals, bridges, and other outdoor landscape lighting projects to provide new lighting solutions.



DIMENSIONS



ILLUMINANCE DIAGRAM



Technical data

Vi-Dot 15T	LP796ET
■ Input Voltage	DC 24V
■ Max. Power	13W
■ Power Factor	>0.9
■ Lumen	200lm
■ Peak Intensity	325cd (30°)
■ LED Qty	24xtri-color RGB
■ Optics	30°, 45°, 60°, 30°x45°
■ DMX control channels	0-100%
■ Interface	DMX512, RDM
■ Controllable sections	1
■ Mains connection	Integrated power and signal cable
■ Data connection	
■ IP Rated	
■ Operation temperature	-40°C~45°C (operating) -20°C~45°C (startup)
■ Housing material	Die-cast aluminium
■ Housing color	Off-white (Gray, Black Optional)
■ Dimensions	110x126x78mm
■ Weight	0.7kg

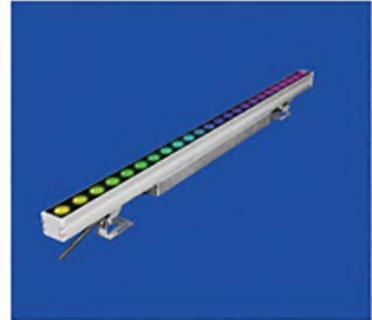
● 0% - 100% 16Bit dimming technology

● RDM bidirectional feedback function

● Automatically DMX addressing function

Intelligent Multicolor

Intelligent White



LP-L18XCET2-DK/GK
LP-H18XCET2-DK/GK
Linear W18



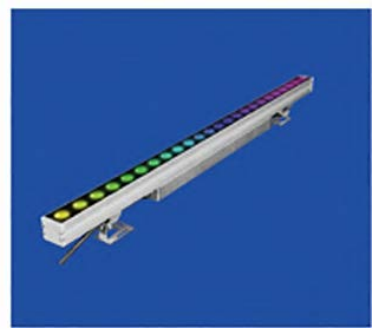
LP-L18SWT2-DK/GK
LP-H18SWT2-DK/GK
Linear W18



LP-L24XCET2-DK/GK
LP-H24XCET2-DK/GK
Linear W24



LP-L24SWT2-DK/GK
LP-H24SWT2-DK/GK
Linear W24



LP-L36XCET2-DK/GK
LP-H36XCET2-DK/GK
Linear W36



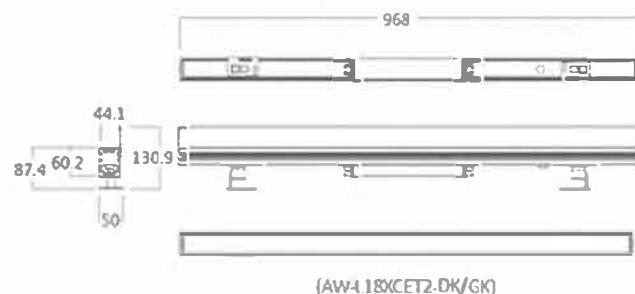
LP-L36SWT2-DK/GK
LP-H36SWT2-DK/GK
Linear W36

Linear W18 | LP-L18XCET2-DK/GK LP-H18XCET2-DK/GK

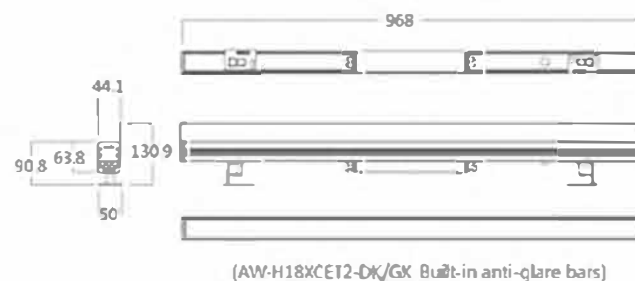
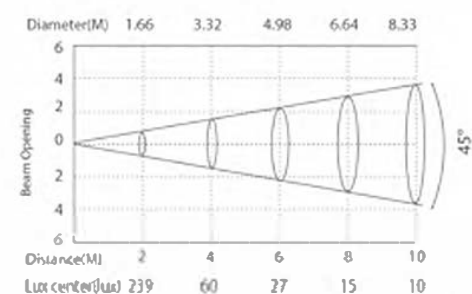
The Linear series light is a powerful LED wall washer, suitable for operation in all-weather conditions. It is small in size, light in weight, able to achieve seamless stitching. With flexible section control function, it is possible to realize colorful pixel effect for the hotels, shopping malls, buildings, square landscapes, municipals, bridges, and other outdoor landscape lighting projects to provide new lighting solutions.



DIMENSIONS



ILLUMINANCE DIAGRAM



Technical data

Linear W18	LP-L18XCET2-DK	LP-L18XCET2-GK
Input Voltage	DC 24V	AC100~240V
Max. Power	18W	18W
Power Factor	>0.9	>0.9
Lumen	756lm	756lm
Peak Intensity	956.25cd (45°)	956.25cd (45°)
LED Qty	24xMultichip RGBW	24xMultichip RGBW
Optics	20°、30°、45°、60°、20x45°、10x60°	20°、30°、45°、60°、20x45°、10x60°
DMX control channels	0-100%	0-100%
Interface	DMX512、RDM	DMX512、RDM
Controllable sections	4	4
Mains connection	Integrated power and signal cable	
Data connection	Integrated power and signal cable	
IP Rated	IP67	IP67
Operation temperature	-40°C~45°C (operating) -20°C~45°C (startup)	-40°C~45°C (operating) -20°C~45°C (startup)
Housing material	Extruded aluminium	
Housing color	Silver	
Dimensions	968x50x131mm	
Weight	2.3kg	

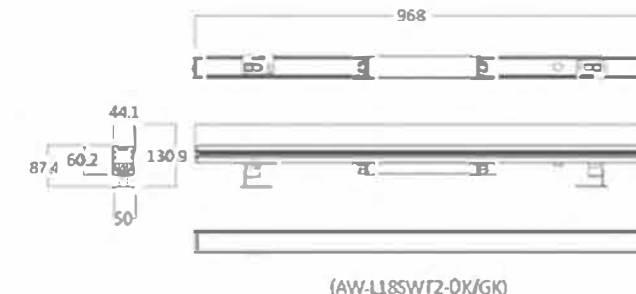
- Flexible section control
- RDM bidirectional feedback function
- Seamless light splicing; no light crack
- Automatically DMX addressing function
- 0%-100% 16 Bit dimming technology

Linear W18 | LP-L18SWT2-DK/GK LP-H18SWT2-DK/GK

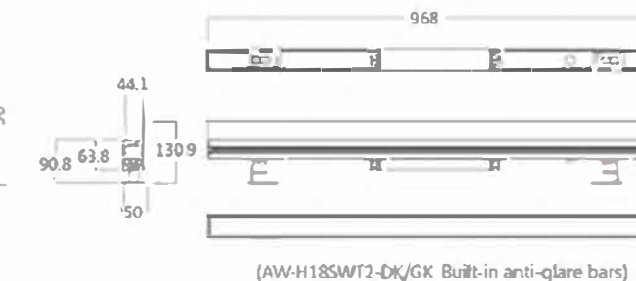
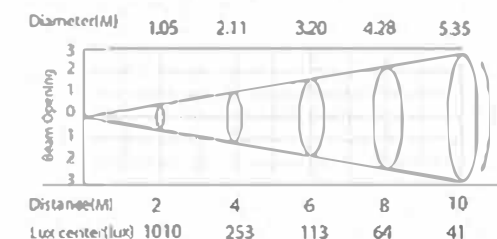
The Linear series light is a powerful LED wall washer, suitable for operation in all-weather conditions. It is small in size, light in weight, able to achieve seamless stitching. With flexible section control function, it is possible to realize colorful pixel effect for the hotels, shopping malls, buildings, square landscapes, municipals, bridges, and other outdoor landscape lighting projects to provide new lighting solutions.



DIMENSIONS



ILLUMINANCE DIAGRAM



Technical data

Linear W18	LP-L18SWT2-DK	LP-L18SWT2-GK
Input Voltage	DC 24V	AC100~240V
Max. Power	18W	18W
Power Factor	>0.9	>0.9
Lumen	1131.75lm	1131.75lm
Peak Intensity	4037.5cd(30°)	4037.5cd(30°)
LED Qty	24pcs warm white	24pcs warm white
Optics	30° (15°、20°、45°、60°、20x45°、10x60°)	30° (15°、20°、45°、60°、20x45°、10x60°)
DMX control channels	0-100%	0-100%
Interface	DMX512、RDM	DMX512、RDM
Controllable sections	4	4
Mains connection	Integrated power and signal cable	
Data connection	Integrated power and signal cable	
IP Rated	IP67	IP67
Operation temperature	-40°C~45°C (operating) -20°C~45°C (startup)	-40°C~45°C (工作) -20°C~45°C (启动)
Housing material	Extruded aluminium	
Housing color	Silver	
Dimensions	968x50x131mm	
Weight	2.3kg	

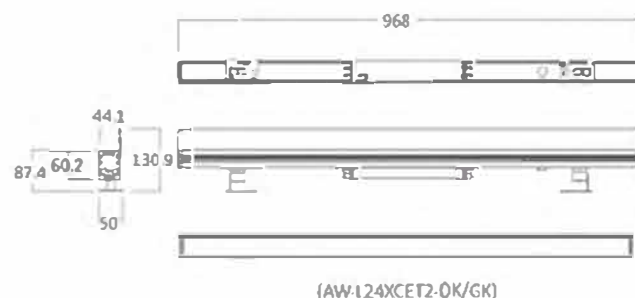
- Flexible section control
- RDM bidirectional feedback function
- Seamless light splicing; no light crack
- Automatically DMX addressing function
- 0%-100% 16 Bit dimming technology

Linear W24 | LP-L24XCET2-DK/GK LP-H24XCET2-DK/GK

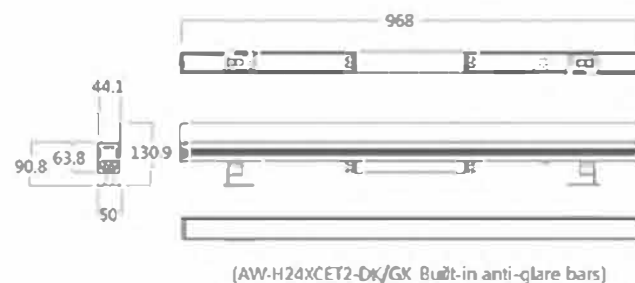
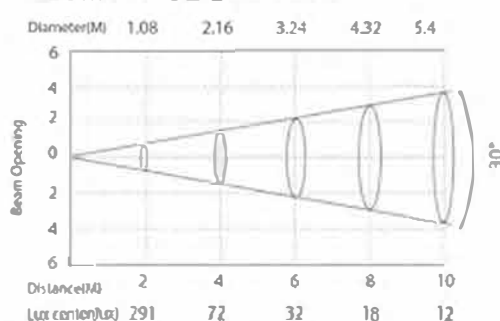
The Linear series light is a powerful LED wall washer, suitable for operation in all-weather conditions. It is small in size, light in weight, able to achieve seamless stitching. With flexible section control function, it is possible to realize colorful pixel effect for the hotels, shopping malls, buildings, square landscapes, municipals, bridges, and other outdoor landscape lighting projects to provide new lighting solutions..



DIMENSIONS



ILLUMINANCE DIAGRAM



Technical data

Linear W24	LP-L24XCET2-DK	LP-L24XCET2-GK
■ Input Voltage	DC 24V	AC 100~240V
■ Max. Power	24W	24W
■ Power Factor	>0.9	>0.9
■ Lumen	1007.99lm	1077.99lm
■ Peak Intensity	1275.33cd (45°)	1275.33cd (45°)
■ LED Qty	24xMultichip RGBW	24xMultichip RGBW
■ Optics	20°、30°、45°、60°、20x45°、10x60°	20°、30°、45°、60°、20x45°、10x60°
■ DMX control channels	0-100%	0-100%
■ Interface	DMX512、RDM	DMX512、RDM
■ Controllable sections	4	4
■ Mains connection	Integrated power and signal cable	
■ Data connection	Integrated power and signal cable	
■ IP Rated	IP67	IP66
■ Operation temperature	-40°C~45°C (operating) -20°C~45°C (startup)	-40°C~45°C (operating) -20°C~45°C (startup)
■ Housing material	Extruded aluminium	
■ Housing color	Silver	
■ Dimensions	968x50x131mm	
■ Weight	2.3kg	

- Flexible section control, ● RDM bidirectional feedback function ● Seamless light splicing: no light crack
- Automatically DMX addressing function ● 0%-100% 16 Bit dimming technology

Linear W24 | LP-L24SWT2-DK/GK LP-H24SWT2-DK/GK

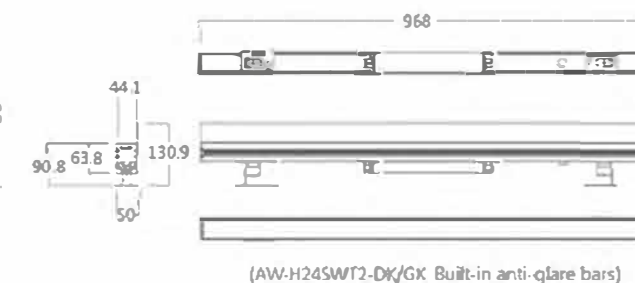
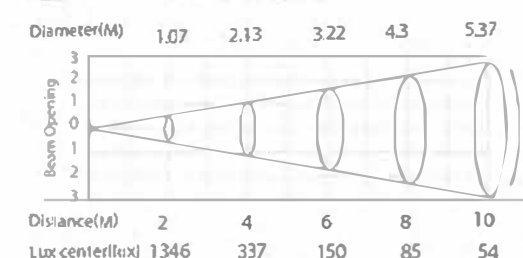
The Linear series light is a powerful LED wall washer, suitable for operation in all-weather conditions. It is small in size, light in weight, able to achieve seamless stitching. With flexible section control function, it is possible to realize colorful pixel effect for the hotels, shopping malls, buildings, square landscapes, municipals, bridges, and other outdoor landscape lighting projects to provide new lighting solutions..



DIMENSIONS



ILLUMINANCE DIAGRAM



Technical data

Linear W24	LP-L24SWT2-DK	LP-L24SWT2-GK
■ Input Voltage	DC 24V	AC 100~240V
■ Max. Power	24W	24W
■ Power Factor	>0.9	>0.9
■ Lumen	1509lm	1509lm
■ Peak Intensity	5383.33cd(30°)	5383.33cd(30°)
■ LED Qty	24pcs warm white	24pcs warm white
■ Optics	30° (15°、20°、45°、60°、20x45°、10x60°)	30° (15°、20°、45°、60°、20x45°、10x60°)
■ DMX control channels	0-100%	0-100%
■ Interface	DMX512、RDM	DMX512、RDM
■ Controllable sections	4	4
■ Mains connection	Integrated power and signal cable	
■ Data connection	Integrated power and signal cable	
■ IP Rated	IP67	IP66
■ Operation temperature	-40°C~45°C (operating) -20°C~45°C (startup)	-40°C~45°C (operating) -20°C~45°C (startup)
■ Housing material	Extruded aluminium	
■ Housing color	Silver	
■ Dimensions	968x50x131mm	
■ Weight	2.3kg	

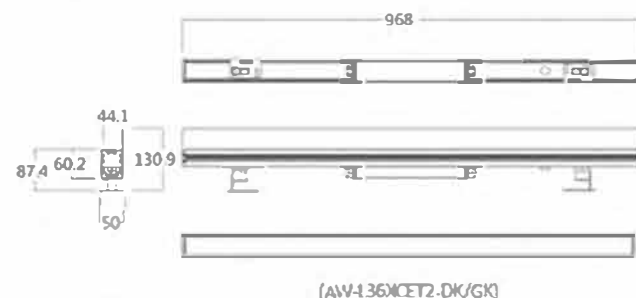
- Flexible section control, ● RDM bidirectional feedback function ● Seamless light splicing: no light crack
- Automatically DMX addressing function ● 0%-100% 16 Bit dimming technology

Linear W36 | LP-L36XCET2-DK/GK LP-H36XCET2-DK/GK

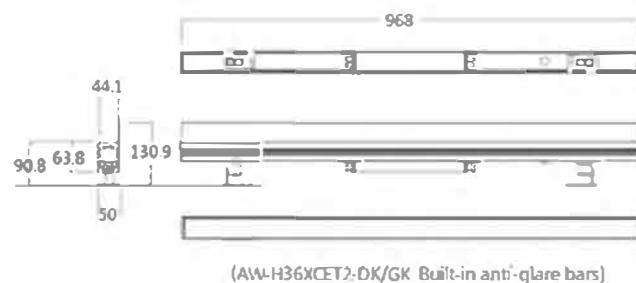
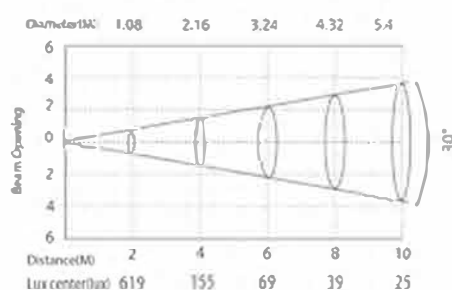
The Linear series light is a powerful LED wall washer, suitable for operation in all-weather conditions. It is small in size, light in weight, able to achieve seamless stitching. With flexible section control function, it is possible to realize colorful pixel effect for the hotels, shopping malls, buildings, square landscapes, municipals, bridges, and other outdoor landscape lighting projects to provide new lighting solutions.



DIMENSIONS



ILLUMINANCE DIAGRAM



Technical data

Linear W36	LP-L36XCET2-DK	LP-L36XCET2-GK
■ Input Voltage	DC 24V	AC 100~240V
■ Max. Power	36W	36W
■ Power Factor	>0.9	>0.9
■ Lumen	1512lm	1512lm
■ Peak Intensity	1913cd (45°)	11913cd (45°)
■ LED Qty	24xMultichip RGBW	24xMultichip RGBW
■ Optics	20°, 30°, 45°, 60°, 20x45°, 10x60°	20°, 30°, 45°, 60°, 20x45°, 10x60°
■ DMX control channels	0-100%	0-100%
■ Interface	DMX512, RDM	DMX512, RDM
■ Controllable sections	4	4
■ Mains connection		
■ Data connection	Integrated power and signal cable	Integrated power and signal cable
■ IP Rated	IP67	IP67
■ Operation temperature	-40°C~45°C (operating) -20°C~45°C (startup)	-40°C~45°C (operating) -20°C~45°C (startup)
■ Housing material	Extruded aluminium	Extruded aluminium
■ Housing color	Silver	Silver
■ Dimensions	968x50x131mm	968x50x131mm
■ Weight	2.3kg	2.3kg

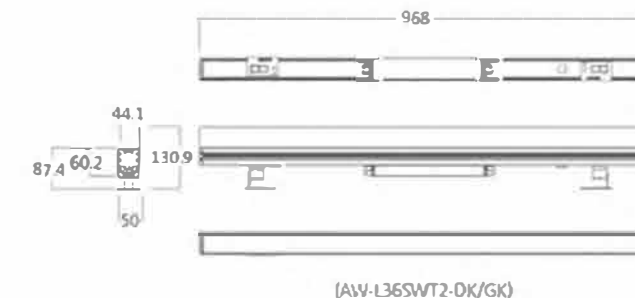
- Flexible section control
- RDM bidirectional feedback function
- Seamless light splicing; no light crack
- Automatically DMX addressing function
- 0%-100% 16 Bit dimming technology

Linear W36 | LP-L36SWT2-DK/GK LP-H36SWT2-DK/GK

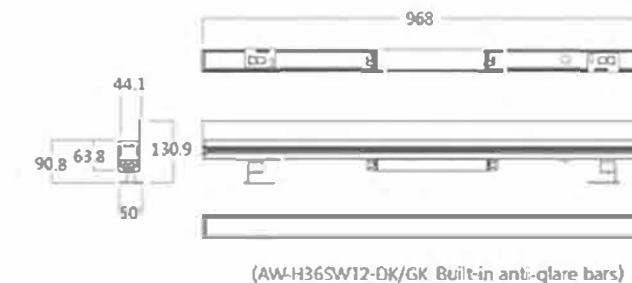
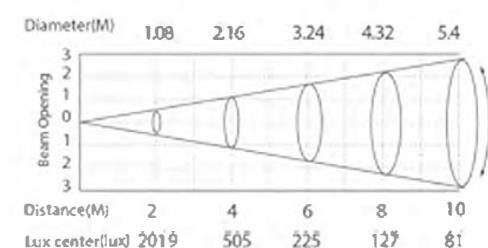
The Linear series light is a powerful LED wall washer, suitable for operation in all-weather conditions. It is small in size, light in weight, able to achieve seamless stitching. With flexible section control function, it is possible to realize colorful pixel effect for the hotels, shopping malls, buildings, square landscapes, municipals, bridges, and other outdoor landscape lighting projects to provide new lighting solutions.



DIMENSIONS



ILLUMINANCE DIAGRAM

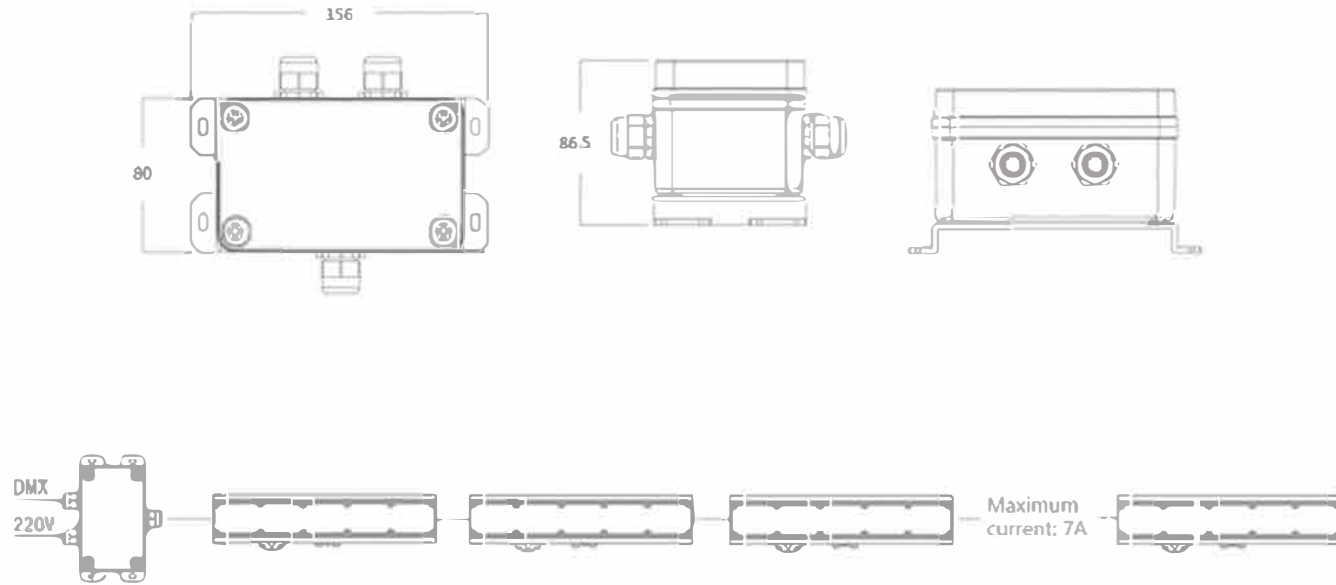


Technical data

Linear W36	LP-L36SWT2-DK	LP-L36SWT2-GK
■ Input Voltage	DC 24V	AC100~240V
■ Max. Power	36W	36W
■ Power Factor	>0.9	>0.9
■ Lumen	2263.56lm	2263.56lm
■ Peak Intensity	8075cd (30°)	8075cd (30°)
■ LED Qty	24pcs warm white	24pcs warm white
■ Optics	30° (15°, 20°, 45°, 60°, 20x45°, 10x60°)	30° (15°, 20°, 45°, 60°, 20x45°, 10x60°)
■ DMX control channels	0-100%	0-100%
■ Interface	DMX512, RDM	DMX512, RDM
■ Controllable sections	4	4
■ Mains connection		
■ Data connection	Integrated power and signal cable	Integrated power and signal cable
■ IP Rated	IP67	IP67
■ Operation temperature	-40°C~45°C (operating) -20°C~45°C (startup)	-40°C~45°C (operating) -20°C~45°C (startup)
■ Housing material	Extruded aluminium	Extruded aluminium
■ Housing color	Silver	Silver
■ Dimensions	968x50x131mm	968x50x131mm
■ Weight	2.3kg	2.3kg

- Flexible section control
- RDM bidirectional feedback function
- Seamless light splicing; no light crack
- Automatically DMX addressing function
- 0%-100% 16 Bit dimming technology

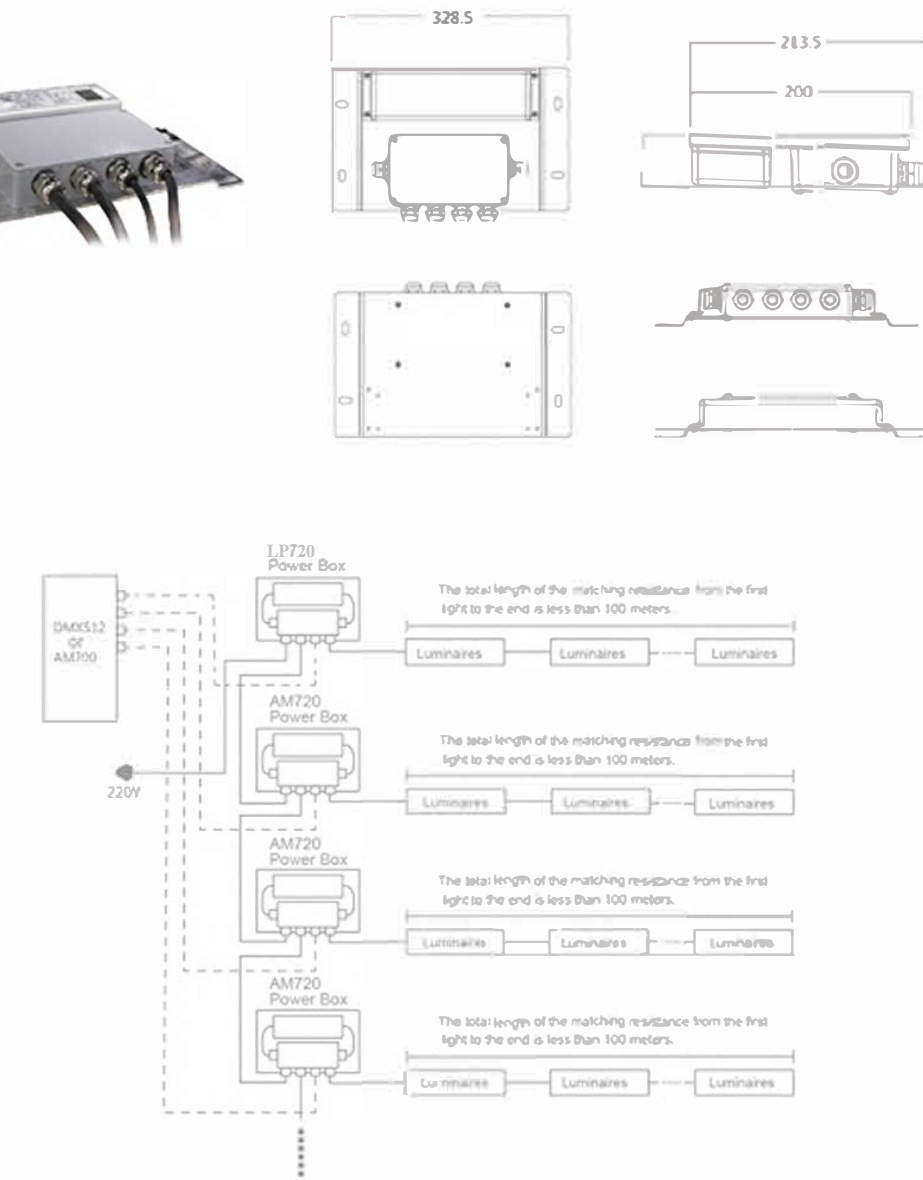
Power Box (LP710)



(Using graphical)

LP710 is a use of an alternating current, the power of the power cable is six cores. LP710 have photoelectric isolation technology, anti-interference, lightning protection, overload protection, and other functions, simple wiring and installation. LP710 can achieve IP66 protect on grade, applies to Lumeplus brand LP711- 714 series washing wall lights.

Power Box (LP720)

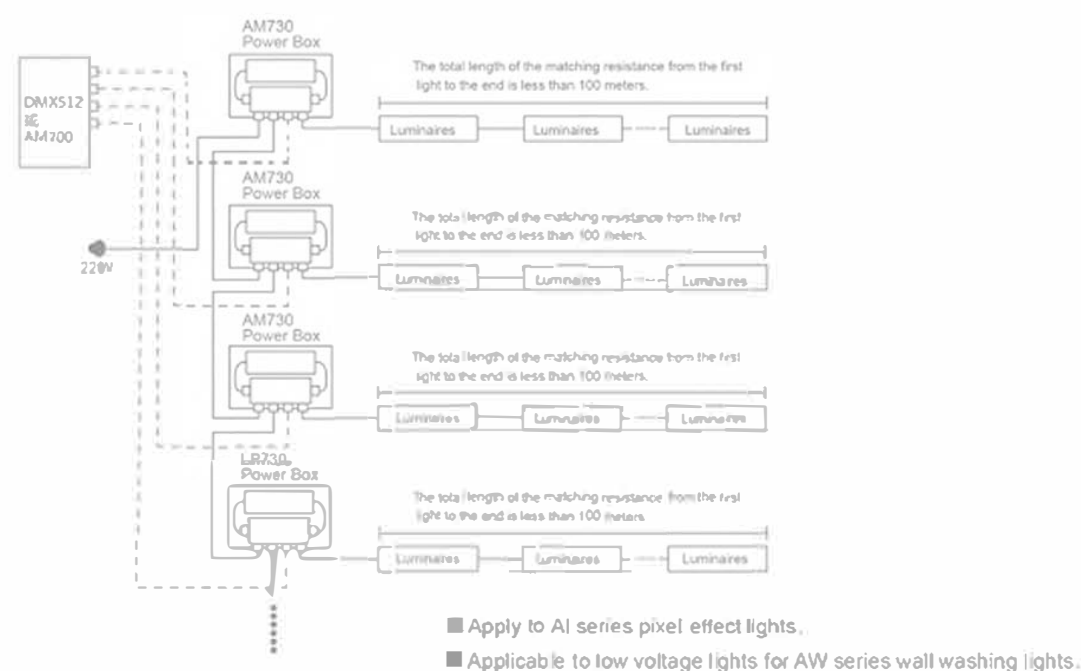
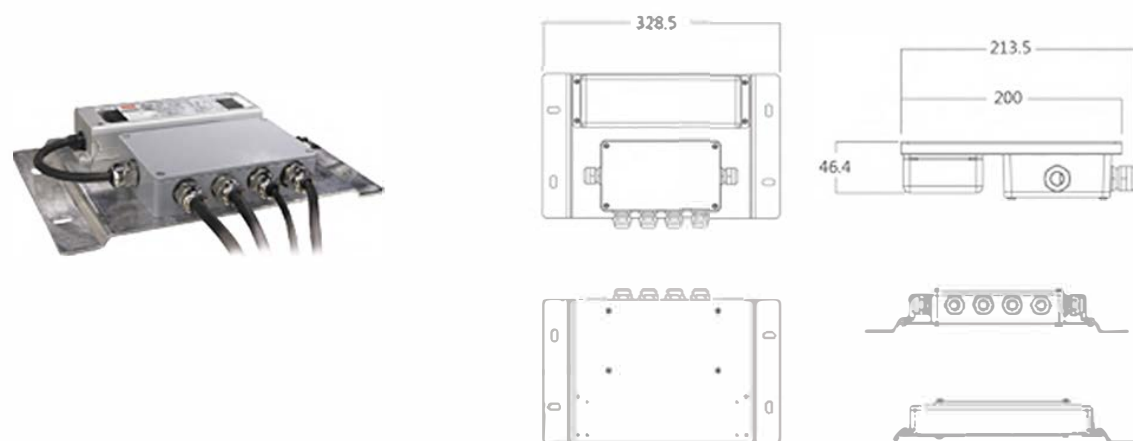


■ Applicable to AI , AW series pixel line/dot/Linear wall washer DC24V Low voltage products

(Using graphical)

The LP720 is a 150W power supply box with a direct current and a five-core power cable. The LP720 has photoelectric isolation technology, anti-interference, anti-lightning strike, overload protection and other functions, simple connection and installation method, and the protection level can reach IP66. LP720 is suitable for the use of Lumeplus brand AI series pixel effect lights and AW series wall washing lights.

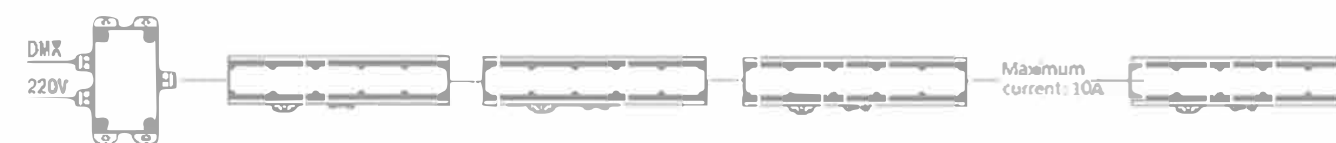
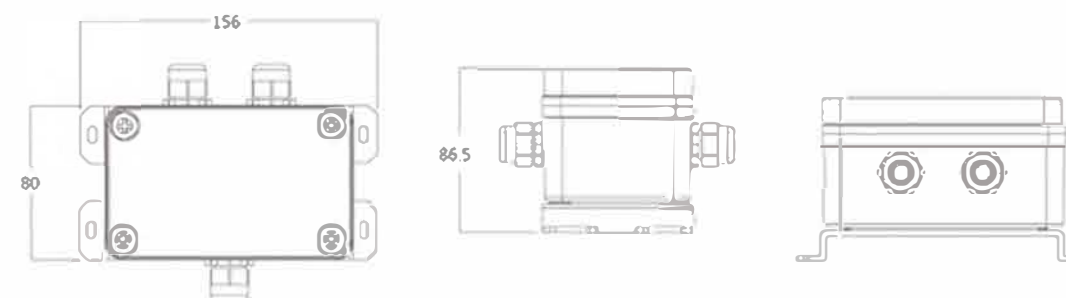
Power Box (LP730)



(Using graphical)

LP730 is a 240W power box with a direct current and a five-core power cord. LP730 is equipped with photoelectric isolation technology, anti-interference, anti-lightning strike, overload protection and other functions, simple connection and installation method, and the protection level can reach IP66. LP730 is suitable for the use of Lumeplus brand AI series pixel effect lights and AW series wall washing low-voltage lights.

Power Box (LP780)

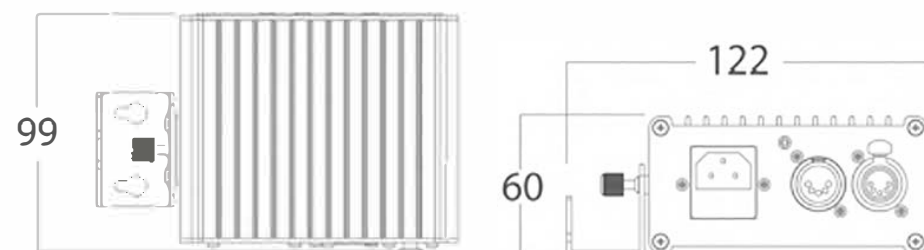


■ Applicable to AI, AW series pixel line/dot/Linear wall washer AC high voltage products

(Using graphical)

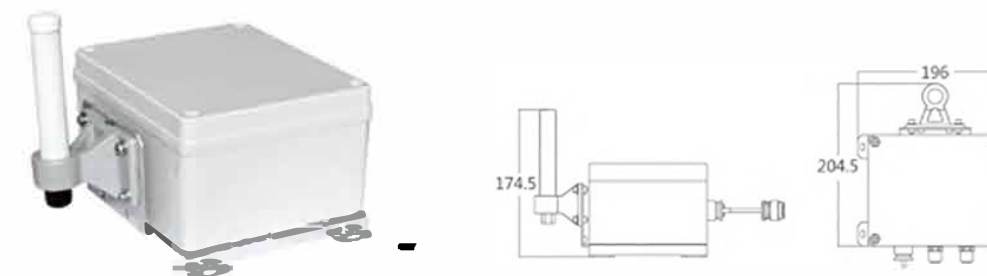
LP780 is a new power box as the upgrade of LP710 which increases the number of lighting fixture connections and retains all the features of AM710 compared to the previous generation. The power cord is a six-core power supply box with optical isolation technology to prevent interference and thunder. LP780 has the functions such as overload protection, simple wiring and installation, the waterproof level is IP66, it is suitable for the LP711-LP714 series of Lumeplus.

easyPLAY (LP104)



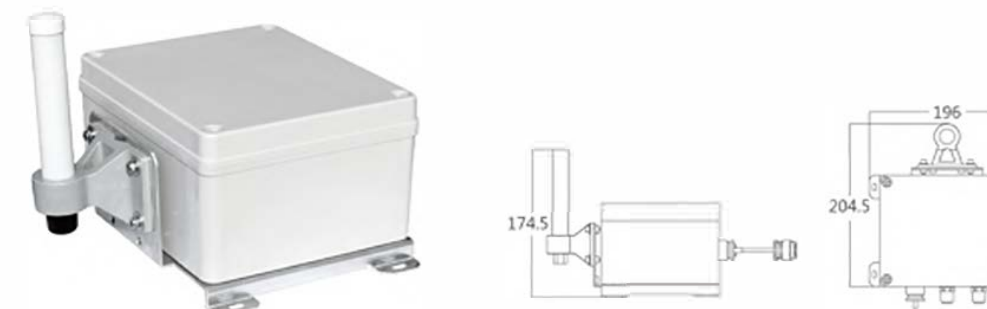
This user-friendly and powerful controller allows users with minimal knowledge of DMX controllers to be able to select from a wide range of pre-set AUTO/CHASE programs at the LCD display. Simple RGB color mixing can be achieved using the simple STATIC RGB color mixing function. An accompanying IR-remote allows simple push button access for even more straight-forward control. More powerful functions include a schedule play function, a DMX recorder which can record upto 24hrs of DMX data (DMXcast), and a fully programmable custom program function.

Receiver Box (LP 101 RT)



This IP67 rated wireless DMX receiver box allows for fixtures to be mounted at distances of upto 200m from transmitter box and operate a standard DMX signal without any delay. It is possible to connect one wireless DMX receiver box to a group of fixtures that are connected via DMX daisy-chain.

Transmitter Box (LP101TT)



This IP67 rated wireless DMX transmitter box allows for connection to any number of receiver boxes, provided that they are all mounted within a range of 200m. Simply connect transmitter box via data cable to DMX controller and then pair transmitter with receivers used in order to locate data signal.

Controller (AS001)



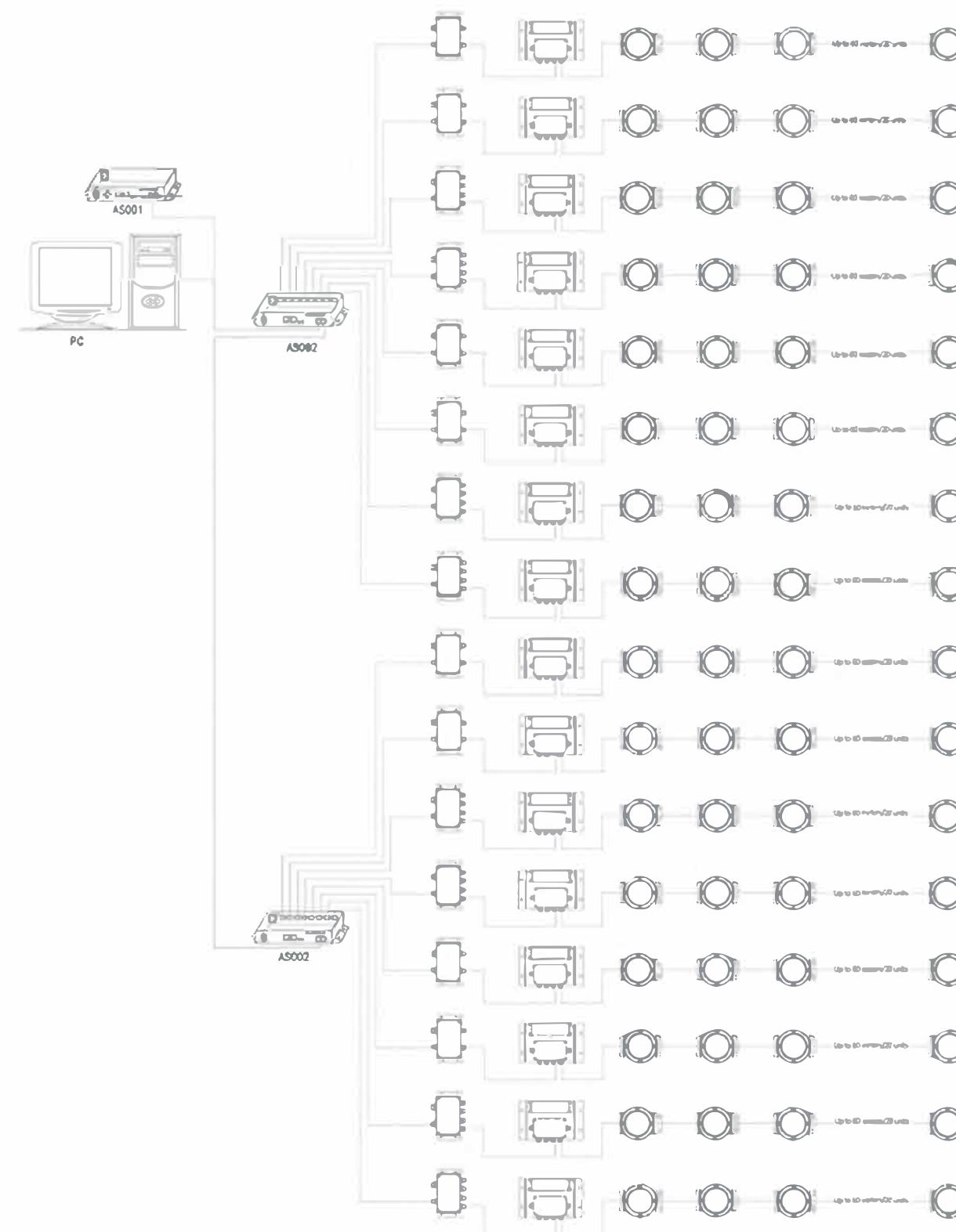
AS001 is a large main controller, can be used with AS002 which as the sub-controller. Its maximum control pixel can reach 150,000 points, accessories have SD card & IR remote controller, can achieve program segment selection, overall brightness adjustment, white balance adjustment, play speed adjustment, built-in animation test program, RGBW lighting fixture control and other functions, can satisfy customer' s various requirements in application and debugging.

Controller (AS002)



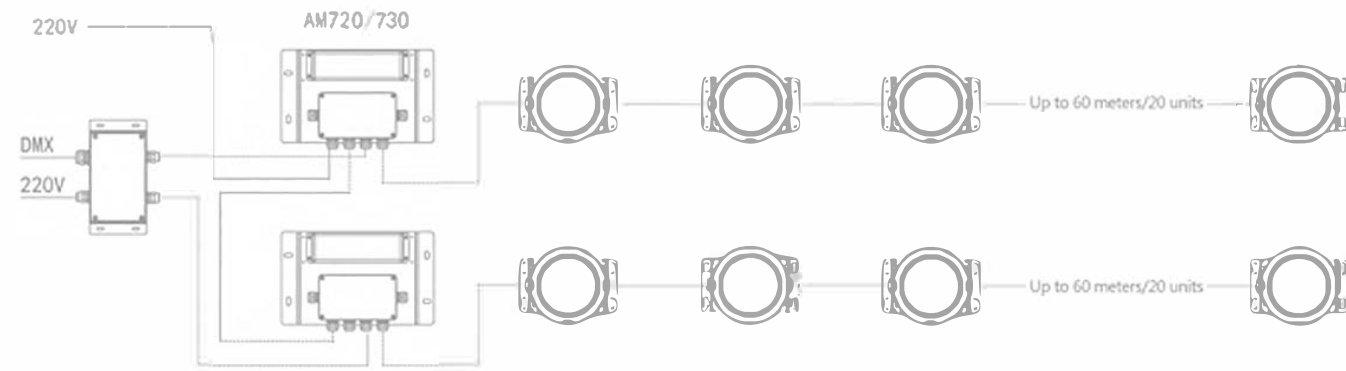
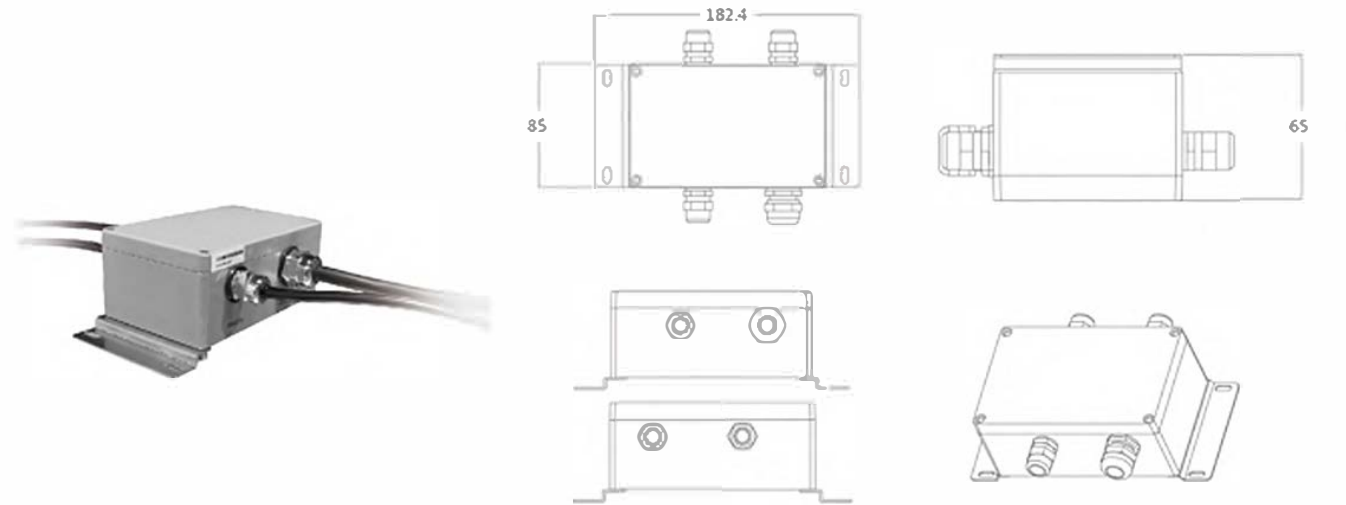
AS002 controller can support standard DMX protocol, based on the DMX512-A standard protocol, set up the RMD system for LED control application, its control system has the full function related to the standard DMX512 control application, and integrates the RMD control command transmission, RMD feedback information received, display of the RDM information functions, though the control system to detect the working status of the lighting fixtures in real time, such as the current, voltage, temperature, running time and other information of the lighting fixtures, it is a set of RDM sub-controller used with PC or AS001.

Wiring Diagram



Can be connected in series unlimitedly

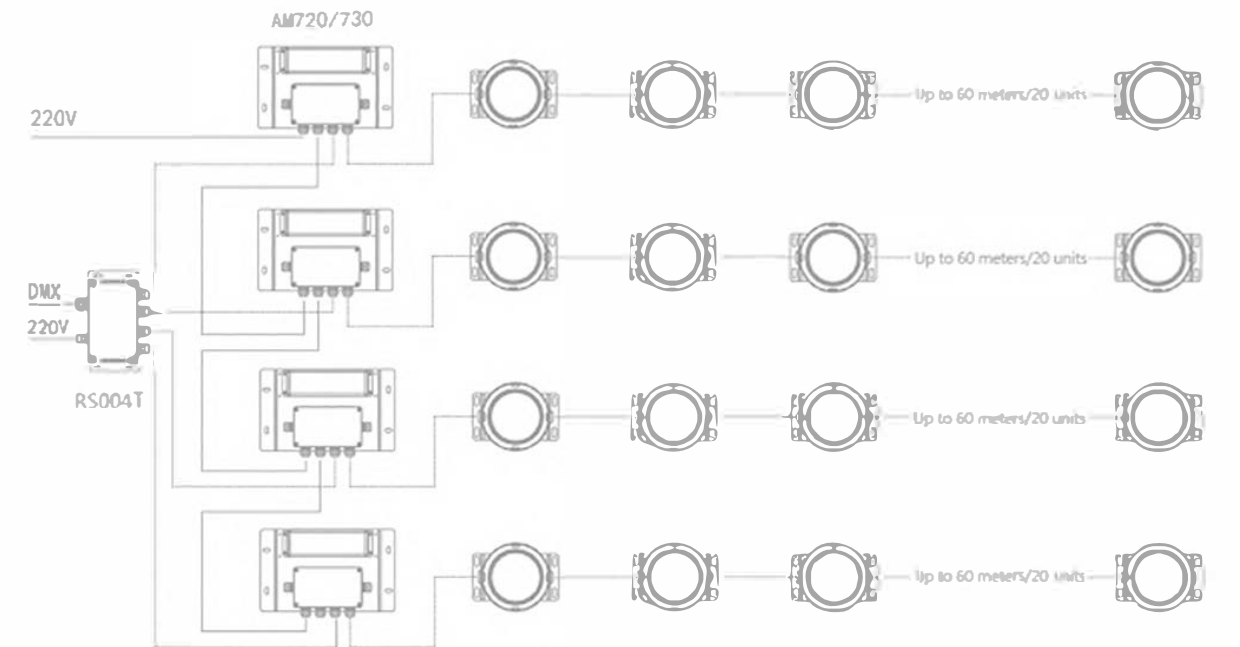
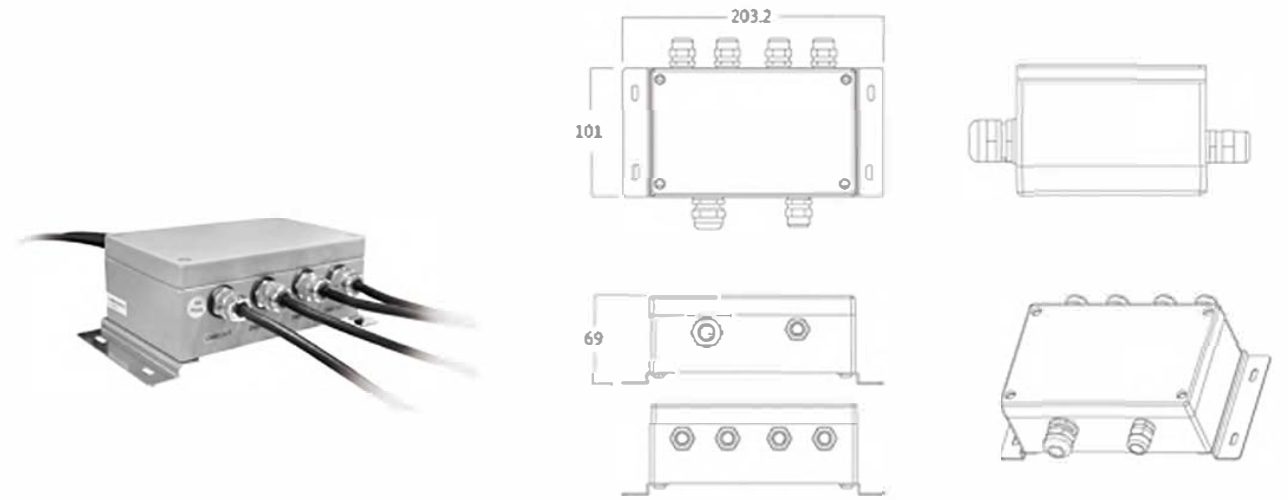
Signal Amplifier (RS002T)



(Using graphical)

RS002T is a waterproof class IP66 DMX signal amplifier. RS002T integrates signal distribution, isolation and amplification. It is equipped with two DMX transmission outputs, which can extend the transmission distance of signals and enhance the ability of signal driving. RS002T has the input and output function of photoelectric isolation signal, and each output has independent power supply, so as to avoid the signal interference, reflection and damage to the equipment when the signal leaks electricity. RS002T is suitable for all ARCTIK series lights.

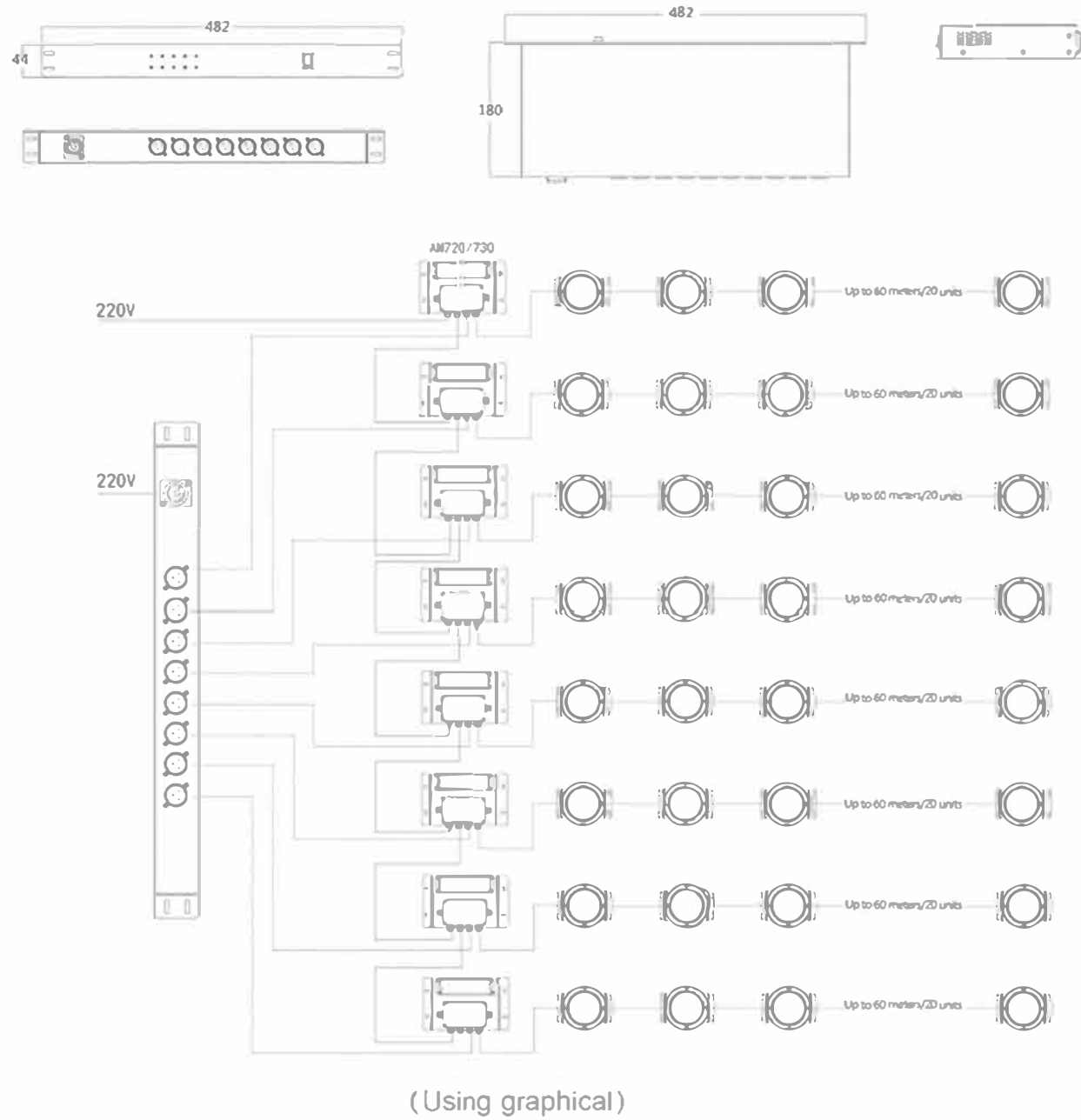
Signal Amplifier (RS004T)



(Using graphical)

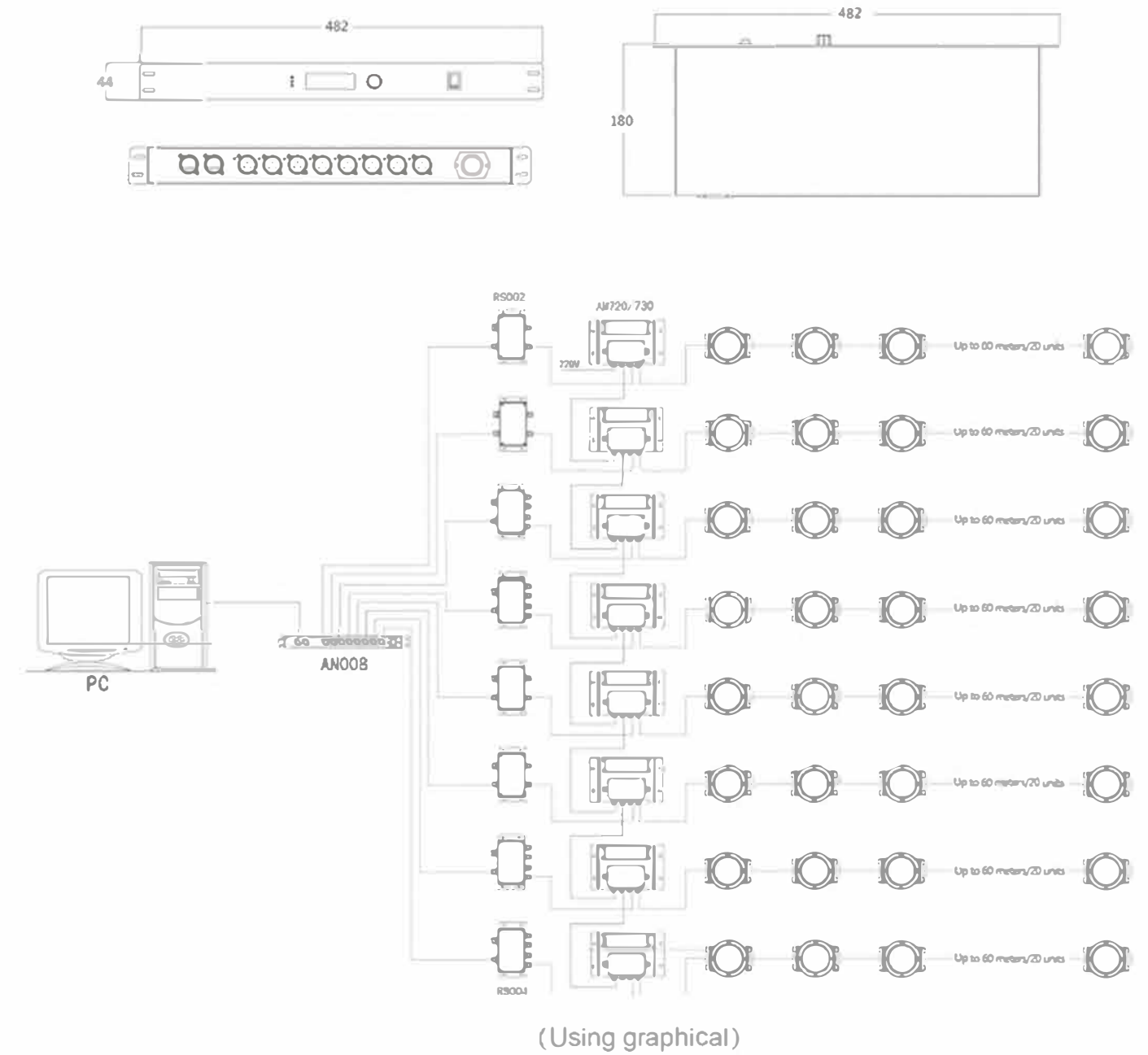
RS004T is a waterproof class IP66 DMX signal amplifier. RS004T integrates signal distribution, isolation and amplification. It is equipped with four DMX transmission outputs, which can extend the transmission distance of signals and enhance the ability of signal driving. RS004T has the input and output function of photoelectric isolation signal, and each output has independent power supply, so as to avoid the signal interference, reflection and damage to the equipment when the signal leaks electricity. RS004T is suitable for all ARCTIK series lights.

Signal Amplifier (RS008T)



RS008 is a DMX signal amplifier that integrates signal distribution, isolation and amplification and is equipped with 8 DMX output ports. It can extend the transmission distance of signal and enhance the ability of signal drive. RS008 has the input and output function of photoelectric isolation signal, and each output has independent power supply, so as to avoid the damage of equipment caused by the cross-interference, reflection and leakage of signals. RS008 is suitable for all Lumeplus series lights.

Art-Net To DMX Signal Converter (AN008)



AN008 is a DMX signal converter based on data communication of network based on art-net protocol, which can receive network DMX data. AN008 is designed as a standard 1U cabinet structure for easy installation in the standard control cabinet. With LCD display, the setting operation is convenient and intuitive. AN008 provides 8 standard DMX512 data output ports and 8*512 data output ports. Different network segments can be set up to avoid the interference of multiple sets of art-net data in the same network. AN008 is compatible with the lighting software with the Art-net protocol. The output can control the stage lighting and LED lighting at the same time.